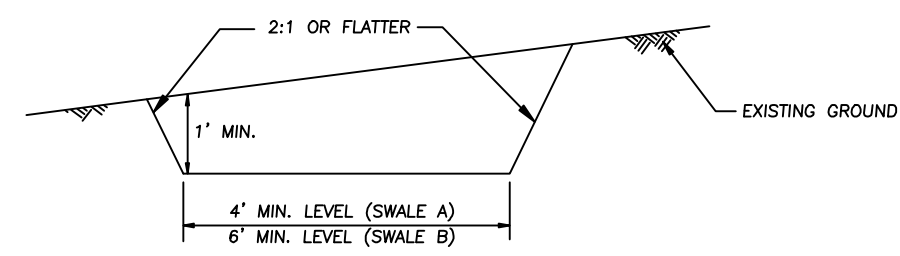


**EROSION CONTROL SEQUENCE**

MEASURES SHALL BE TAKEN TO PREVENT SOIL EROSION DURING PROJECT CONSTRUCTION. ALL FRESHLY DISTURBED AREAS THAT WILL REMAIN DISTURBED FOR MORE THAN A PERIOD OF FOURTEEN (14) DAYS SHALL BE STABILIZED BY TEMPORARY SEEDING AS INDICATED ON THE TEMPORARY SEEDING SCHEDULE. DISTURBED AREAS SHALL BE MINIMAL IN SIZE AND SHALL NOT EXCEED THE APPROVED CLEARING AND GRADING LIMITS. THE FOLLOWING MEASURES SHALL BE IMPLEMENTED AS CONSTRUCTION PROGRESSES.

- A. PRIOR TO COMMENCING CONSTRUCTION ACTIVITIES, THE LIMITS OF CLEARING AND GRADING SHALL BE MARKED. FILTER FABRIC SEDIMENTATION BARRIERS (SILT FENCE) SHALL BE PLACED ALONG THE DOWNGRADE PERIMETER OF THE SITE AND ANY OTHER AREAS WHERE SILT FENCE IS INDICATED AS TO BE INSTALLED PRIOR TO CONSTRUCTION ON THE APPROVED PLANS. INSTALLATION IS TO BE AT THE DOWNSTREAM PORTIONS OF THE SITE THEN WORKING UPSTREAM.
- B. STABILIZED CONSTRUCTION ENTRANCES SHALL BE BUILT IN THE AREAS SHOWN ON THE APPROVED PLANS OR WHEREVER A CONSTRUCTION ACCESS ROAD INTERSECTS ANY PUBLIC THOROUGHFARE. STABILIZED ENTRANCES SHALL BE BUILT IN ACCORDANCE WITH THE STABILIZED CONSTRUCTION ENTRANCE DETAIL.
- C. UPON COMPLETION OF CLEARING AND GRUBBING ACTIVITIES, TOPSOIL SHALL BE STRIPPED AND STOCKPILED FROM ALL AREAS TO BE DISTURBED. STOCKPILED TOPSOIL SHALL BE STABILIZED BY TEMPORARY SEEDING AND SURROUNDED WITH A PERIMETER SILT FENCE.
- D. TEMPORARY EROSION CONTROL DEVICES SHALL BE INSTALLED PRIOR TO COMMENCING EARTH MOVING ACTIVITIES. THIS INCLUDES SEDIMENTATION TRAPS, TYPE "B" DIVERSION SWALES (WITH CHECK DAMS IF APPLICABLE) AND SILT FENCE IN AREAS NOT DESIGNATED TO BE GRADED. INSTALLATION SHALL BEGIN AT DOWNSTREAM PORTIONS OF THE SITE THEN WORKING UPSTREAM.

- E. IMMEDIATELY AFTER COMPLETION OF ROUGH GRADING, REMAINING TEMPORARY EROSION CONTROL SHALL BE INSTALLED AS SPECIFIED ON THE APPROVED PLANS. THIS INCLUDES ANY REMAINING SILT FENCE AND TYPE "A" DIVERSION SWALES (WITH CHECK DAMS IF APPLICABLE). AREAS NOT REQUIRING FURTHER EARTHWORK SHALL BE FINE GRADED, TOPSOILED, AND STABILIZED AS EARLY AS POSSIBLE.
- F. ANY PROPOSED STORM DRAINAGE SHALL BE INSTALLED AND INCORPORATED INTO EROSION CONTROL AS SPECIFIED ON THE APPROVED PLANS. STORM DRAINAGE COMPONENTS SHALL BE PROTECTED FROM SILTATION AS INDICATED.
- G. UPON COMPLETION OF CONSTRUCTION ACTIVITIES, REMAINING AREAS SHALL BE FINE GRADED, TOPSOILED, AND STABILIZED. PERMANENT VEGETATION AND LANDSCAPING SHALL BE ESTABLISHED.
- H. TEMPORARY EROSION CONTROL DEVICES SHALL BE REMOVED ONCE UPSTREAM AREAS HAVE BEEN PERMANENTLY STABILIZED. REMOVAL OF TEMPORARY EROSION CONTROL DEVICES SHALL BEGIN WITH THE MOST UPSTREAM PORTIONS OF THE SITE THEN WORKING DOWNSTREAM.
- I. ALL NEWLY SEEDED VEGETATIVE COVER SHALL BE MAINTAINED. WASHOUTS OR POORLY GROWING AREAS SHALL BE CORRECTED AS THEY OCCUR.

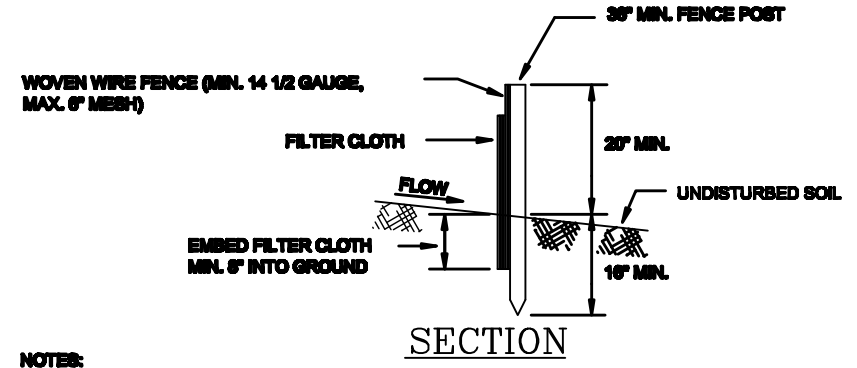
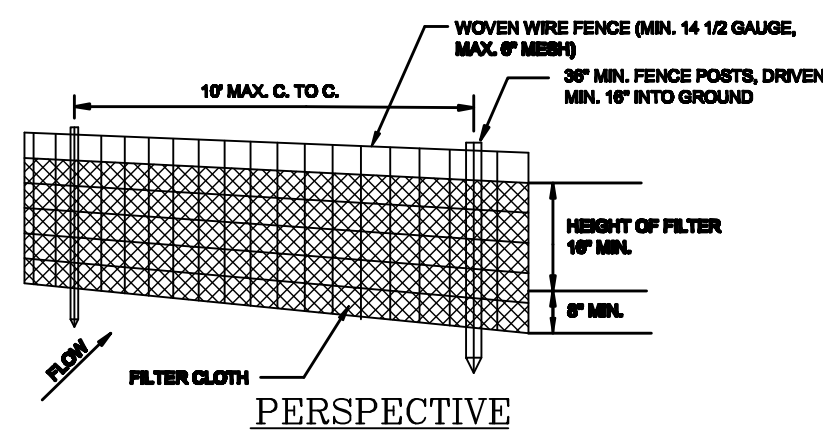


- CONSTRUCTION SPECIFICATIONS**
- ALL TEMPORARY SWALES SHALL HAVE UNINTERRUPTED POSITIVE GRADE TO AN OUTLET.
  - DIVERTED RUNOFF FROM A DISTURBED AREA SHALL BE CONVEYED TO A SEDIMENT TRAPPING DEVICE.
  - DIVERTED RUNOFF FROM AN UNDISTURBED AREA SHALL OUTLET DIRECTLY INTO AN UNDISTURBED STABILIZED AREA AT NON-EROSIVE VELOCITY.
  - ALL TREES, BRUSH, STUMPS, OBSTRUCTIONS, AND OTHER OBJECTIONABLE MATERIAL SHALL BE REMOVED AND DISPOSED OF SO AS NOT TO INTERFERE WITH THE PROPER FUNCTIONING OF THE SWALE.
  - THE SWALE SHALL BE ENCHANTED OR SHAPED TO LINE, GRADE, AND CROSS-SECTION AS REQUIRED TO MEET THE CRITERIA SPECIFIED HEREIN AND BE FREE OF BANK PROJECTIONS OR OTHER IRREGULARITIES WHICH WILL IMPEDE NORMAL FLOW.
  - FILLS SHALL BE COMPACTED BY EARTH MOVING EQUIPMENT.
  - ALL EARTH REMOVED AND NOT NEEDED ON CONSTRUCTION SHALL BE PLACED SO THAT IT WILL NOT INTERFERE WITH THE FUNCTIONING OF THE SWALE.
  - STABILIZATION SHALL BE AS PER CHART BELOW:
- | TYPE OF TREATMENT | CHANNEL GRADE | TYPE "A" (S. AC. OR LESS)        | TYPE "B" (S. AC. - 10 AC)                      |
|-------------------|---------------|----------------------------------|--|
| 1                 | 0.5-3.0%      | SEED AND STRAW MULCH             | SEED AND STRAW MULCH                           |
| 2                 | 3.1-5.0%      | SEED AND STRAW MULCH             | SEED USING JUTE OR EXCELSIOR                   |
| 3                 | 5.1-8.0%      | SEED WITH JUTE OR EXCELSIOR; SOD | LINED RIP-RAP 4-8"                             |
| 4                 | 8.1-20%       | LINED 4-8" RIP-RAP               | RECYCLED CONCRETE EQUIVALENT ENGINEERED DESIGN |
- PERIODIC INSPECTION AND REQUIRED MAINTENANCE MUST BE PROVIDED AFTER EACH RAIN EVENT.

**EROSION CONTROL MAINTENANCE REQUIREMENTS**

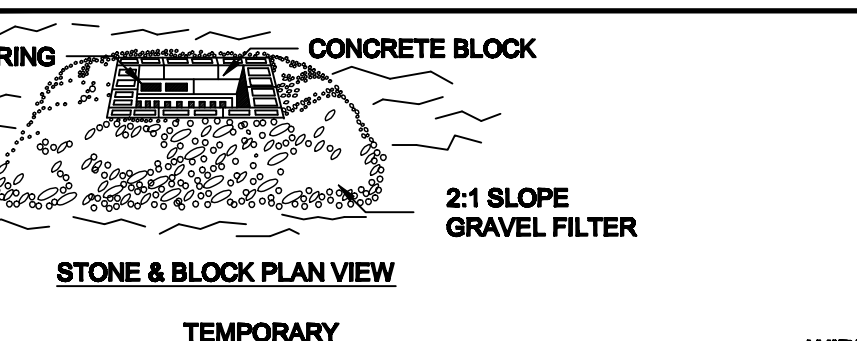
- THE MAINTENANCE OF EROSION CONTROL DEVICES WILL BE THE RESPONSIBILITY OF THE CONTRACTOR. THE JOB SUPERINTENDENT WILL MONITOR THE CONDITION OF ALL THE DEVICES, CLEAN OR REPLACE STRUCTURES AS CLIMATIC CONDITIONS REQUIRE. THE DEVELOPER WILL ALSO BE SUBJECT TO THE DIRECTIVE OF THE DESIGN ENGINEER AND TOWN REPRESENTATIVES TO INCLUDE TOWN ENGINEER, HIGHWAY SUPERINTENDENT AND BUILDING INSPECTOR.
- GENERAL CONTRACTOR AND ALL CONTRACTORS SHALL PERFORM ALL WORK IN ACCORDANCE WITH THE APPROVED PLANS AND MAY BE SUBJECT TO ADDITIONAL EROSION CONTROL REQUIREMENTS AS CONDITIONS MAY ARISE IN THE FIELD OR AS DIRECTED BY THE DESIGN ENGINEER.
- THE CONTRACTOR SHALL MAINTAIN ALL EROSION CONTROL DEVICES IN ACCORDANCE WITH THE APPROVED PLANS, MANUFACTURER'S RECOMMENDATIONS AS DIRECTED BY THE DESIGN ENGINEER AND TOWN REPRESENTATIVES INCLUDING TOWN ENGINEER, HIGHWAY SUPERINTENDENT AND BUILDING INSPECTOR.
- NO EROSION CONTROL STRUCTURES SHALL BE REMOVED UNTIL ALL WORK UPSTREAM THEREFROM HAS BEEN COMPLETED, INCLUDING STABILIZATION AND APPROVED BY THE DESIGN ENGINEER AND TOWN REPRESENTATIVES.
- CONSTRUCTION ACTIVITIES TO BE LIMITED TO THE PERIOD OF 7:00 AM TO 7:00 PM.
- ALL CONSTRUCTION EQUIPMENT SHALL HAVE PROPERLY SIZED MAINTAINED MUFFLERS.
- ALL CONSTRUCTION EQUIPMENT SHALL BE TURNED OFF WHEN NOT IN USE.

**TEMPORARY SWALE DETAIL**



- NOTES:**
- WOVEN WIRE FENCE TO BE PARTNERED SECURELY TO FENCE POSTS WITH WIRE TIES OR STAPLES.
  - FILTER CLOTH TO BE PARTNERED SECURELY TO WOVEN WIRE FENCE WITH TIE SPACED EVERY 30" AT TOP AND MID SECTION.
  - MAINTENANCE SHALL BE PERFORMED AS NEEDED AND MATERIAL SHALL BE REMOVED WHEN WELLSHAP DEVELOP IN THE SILT FENCE.

**FILTER FABRIC SILT FENCE DETAIL**

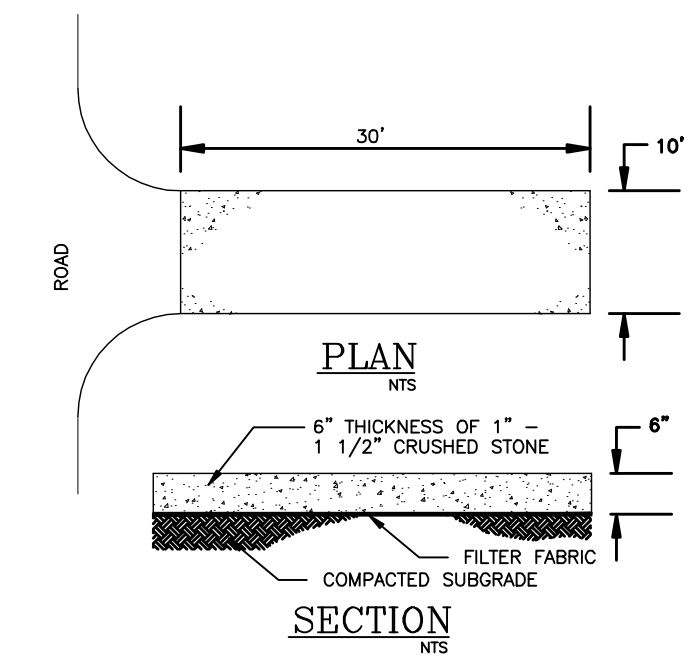


**CONSTRUCTION SPECIFICATIONS**

- LAY ONE BLOCK ON EACH SIDE OF THE STRUCTURE ON ITS SIDE FOR DEWATERING. FOUNDATION SHALL BE 2 INCHES MINIMUM BELOW REST OF INLET AND BLOCKS SHALL BE PLACED AGAINST INLET FOR SUPPORT.
- HARDWARE CLOTH OR 1/2" WIRE MESH SHALL BE PLACED OVER BLOCK OPENINGS TO SUPPORT STONE.
- USE CLEAN STONE OR GRAVEL 1/2-3/4 INCH IN DIAMETER PLACED 2 INCHES BELOW TOP OF THE BLOCK ON A 2:1 SLOPE OR FLATTER.
- FOR STONE STRUCTURES ONLY, A 1 FOOT THICK LAYER OF THE FILTER STONE WILL BE PLACED AGAINST THE 3 INCH STONE AS SHOWN ON THE DRAWINGS.

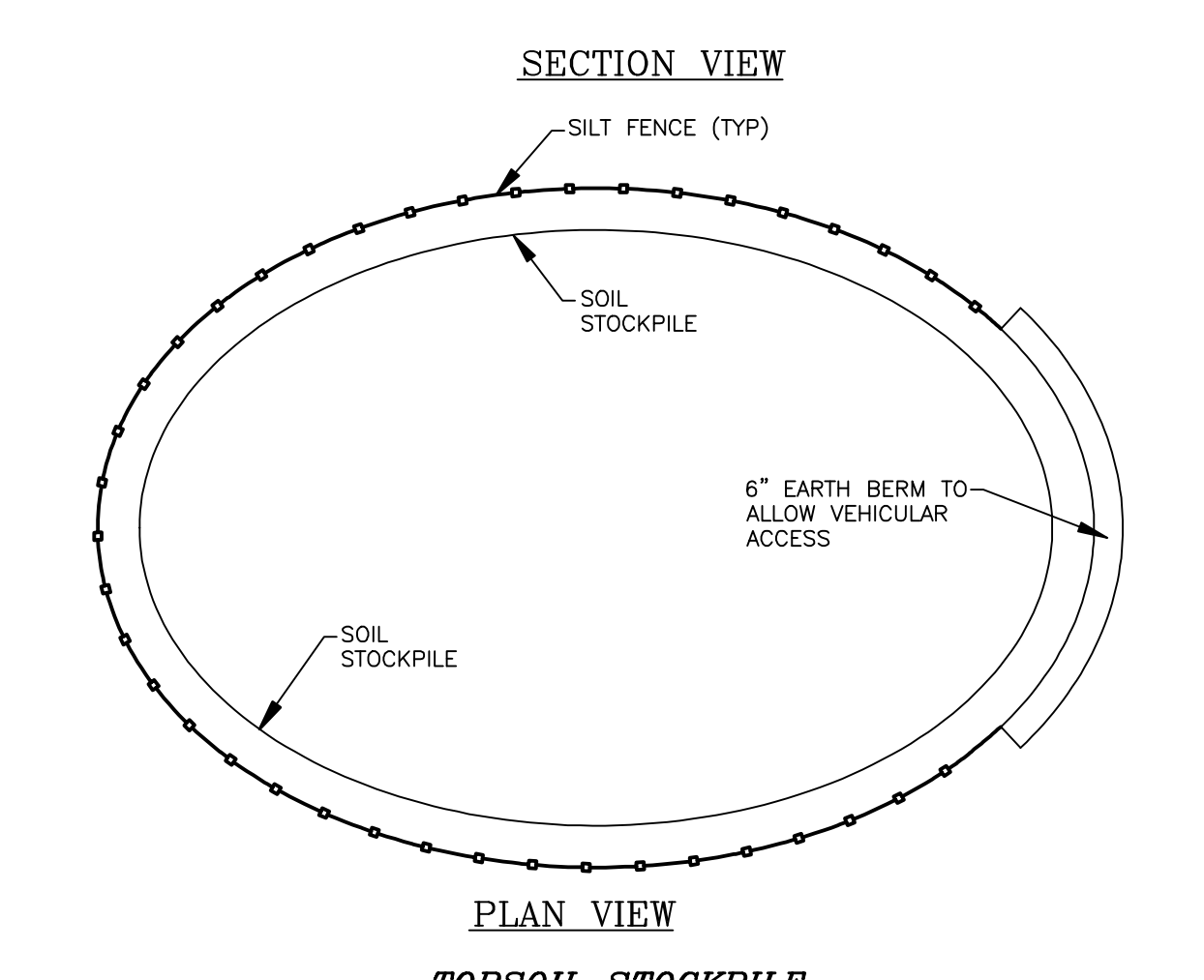
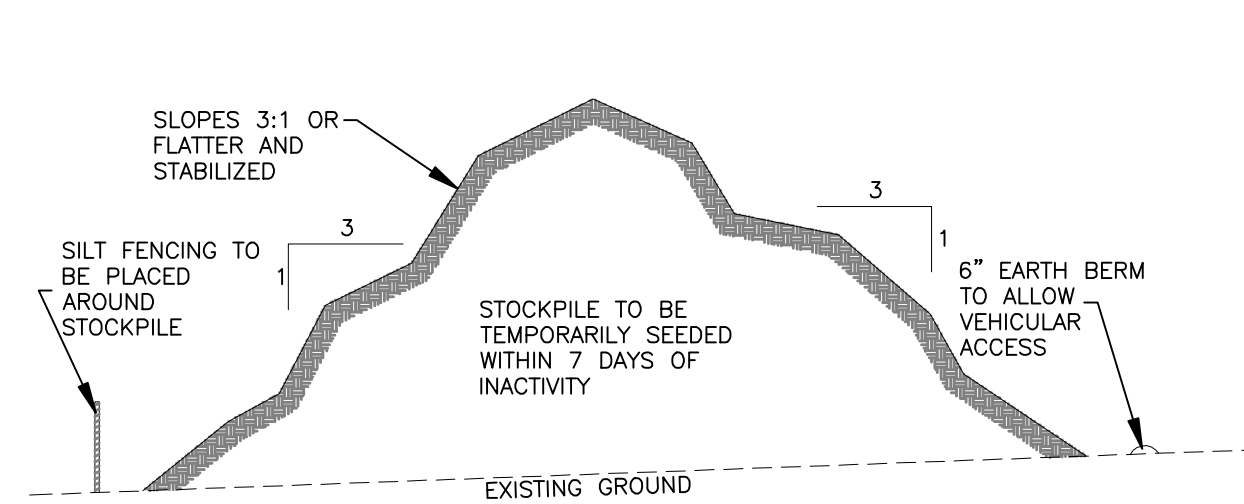
U.S. DEPARTMENT OF AGRICULTURE  
NATURAL RESOURCES CONSERVATION SERVICE  
NEW YORK STATE DEPARTMENT OF ENVIRONMENTAL CONSERVATION  
NEW YORK STATE SOIL & WATER CONSERVATION COMMITTEE

STONE & BLOCK DROP INLET PROTECTION



- NOTES:**
- ENTRANCE SHALL BE MAINTAINED AS CONDITIONS DEMAND TO PREVENT TRACKING OF SEDIMENT ONTO PUBLIC R.O.W.
  - A CRUSHED STONE, VEHICLE WHEEL-CLEANING BLANKET WILL BE INSTALLED WHERE A CONSTRUCTION ACCESS ROAD INTERSECTS ANY PAVED ROADWAY. THE BLANKET SHALL BE COMPOSED OF 8" DEPTH OF 1-1 1/2" CRUSHED STONE. SHALL BE AT LEAST 30' x 100' AND SHALL BE PLACED ON COMPACTED SUB-GRADE.

**STABILIZED CONSTRUCTION ENTRANCE**



**TOPSOIL STOCKPILE**

**STREAMS, DRAINAGE SWALES AND EMBANKMENTS**

- ALL CONSTRUCTION ACTIVITIES IN OR EXISTING AROUND DRAINAGE SWALES OR WETLANDS ARE TO BE PROVIDED WITH TEMPORARY EROSION CONTROL STRUCTURES AS SHOWN IN DETAIL, LOCATED IMMEDIATELY DOWNSTREAM FROM SUCH ACTIVITY. THESE STRUCTURES ARE TO BE IN PLACE AS SHOWN PRIOR TO THE START OF ANY UP-STREAM CONSTRUCTION ACTIVITY.
- CONSTRUCTION EQUIPMENT SHALL NOT UNNECESSARILY CROSS LIVE STREAMS OR DRAINAGE SWALES EXCEPT BY MEANS OF BRIDGES AND CULVERTS OR OTHER APPROVED METHODS.
- ALL EMBANKMENTS TO BE GRADED AND SEEDED IMMEDIATELY UPON BEING LAID BACK.
- STABILIZATION OF THE SWALES WILL INCLUDE SEEDING AND STRAW MULCH ON SLOPES LESS THAN 5% AND JUTE NETTING OR EQUAL ON SLOPES EXCEEDING 5%.
- TOPSOIL AND/OR EARTH STOCKPILE SHALL BE LOCATED OUTSIDE OF EXISTING DRAINAGE SWALES, WETLANDS AND ADJACENT AREAS. SILT FENCES WILL BE PLACED ALONG THE TOE OF THE PILES AND THESE PILES SHALL RECEIVE TEMPORARY SEEDING.

**TEMPORARY SEEDING SPECIFICATIONS**

- SCARIFY SOILS IF COMPACTED
- LIME TO pH OF 6.0 IF REQUIRED
- FERTILIZE WITH 600 LBS/ACRE 5-10-10 FERTILIZER IF REQ.
- SEED WITH SPECIES AND RATE SHOWN BELOW
- MULCH WITH HAY OR STRAW AT A RATE OF 2000 LBS/ACRE.
- ANCHOR MULCH WITH NETTING OF WOOD FIBER OR JUTE IF STEEP SLOPE OR HIGH POTENTIAL FOR EROSION.

SPECIES	APPLICATION RATE
RYEGRASS (ANNUAL OR PERENNIAL)	30 LBS/ACRE
(USE WINTER RYE IF SEEDING IN OCT./NOV.)	(0.7 LBS/1000 SF)

**PERMANENT SEEDING MIXTURES**

SPECIES	APPLICATION RATE
EMPIRE BIRDSFOOT TREFOIL	5 LBS/ACRE
TALL FESCUE	20 LBS/ACRE
RYEGRASS	5 LBS/ACRE

**GENERAL RECREATION AREAS AND LAWNS**

SPECIES	APPLICATION RATE
SUNNY SITES (WELL, MODERATELY WELL AND SOMEWHAT POORLY DRAINED SOILS)	
65% KENTUCKY BLUEGRASS BLEND	85-114 LBS/ACRE
20% PERENNIAL RYEGRASS	26-35 LBS/ACRE
15% FINE FESCUE	19-26 LBS/ACRE

SUNNY DROUGHTY SITES (SOMEWHAT EXCESSIVELY TO EXCESSIVELY DRAINED SOILS)	
65% FINE FESCUE	114-143 LBS/ACRE
15% PERENNIAL RYEGRASS	26-33 LBS/ACRE
20% KENTUCKY BLUEGRASS BLEND	35-44 LBS/ACRE

SHADY DRY SITES (WELL TO SOMEWHAT POORLY DRAINED SOILS)	
80% SHADE TOLERANT KENTUCKY BLUEGRASS BLEND	105-138 LBS/ACRE
20% PERENNIAL RYEGRASS	25-37 LBS/ACRE

SHADY WET SITES (SOMEWHAT POOR TO POORLY DRAINED SOILS)	
70% ROUGH BLUEGRASS	60-91 LBS/ACRE
80% SHADE TOLERANT KENTUCKY BLUEGRASS BLEND	25-39 LBS/ACRE

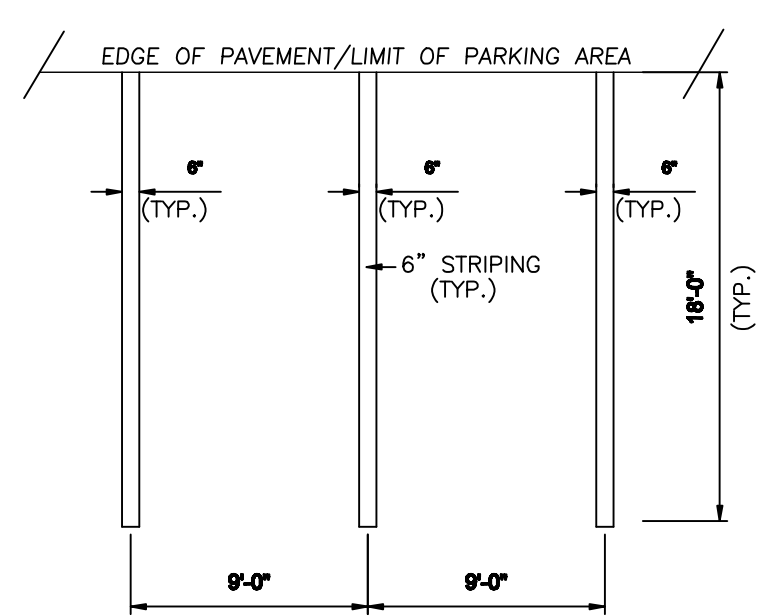
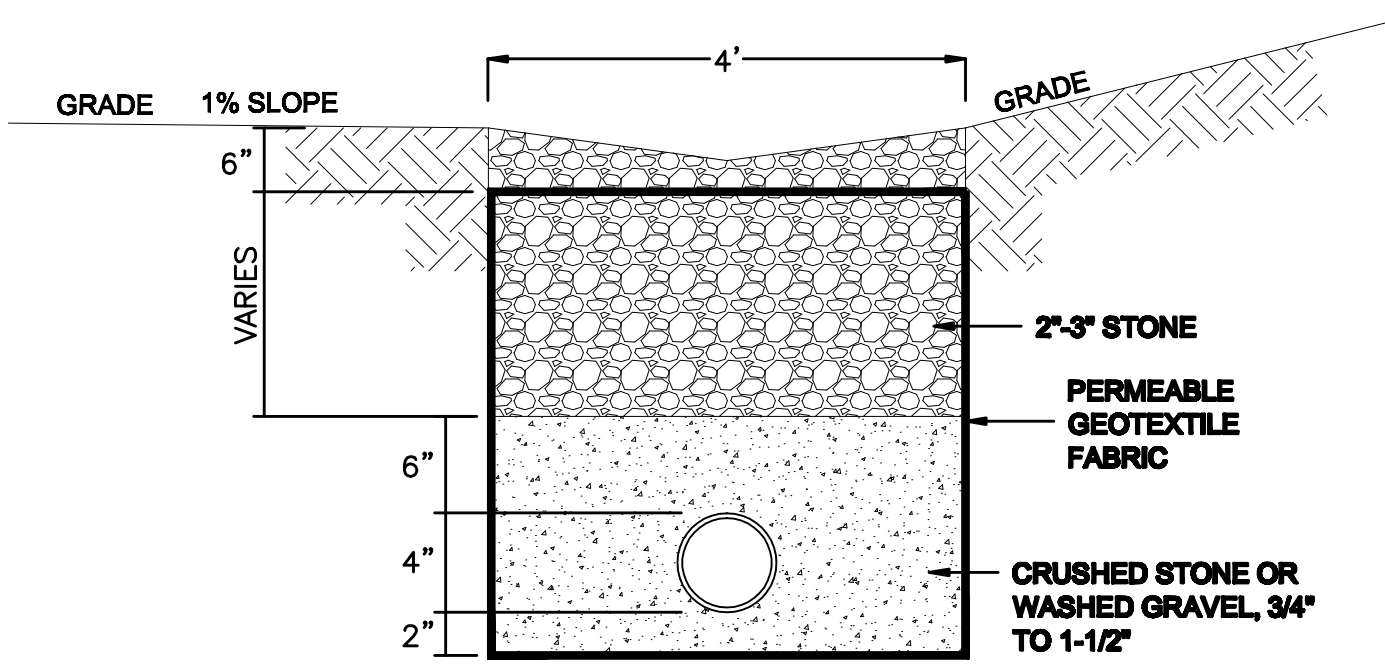
**SLOPE STABILIZATION, SEEDING METHOD & MULCHING**

**SLOPES OF 4:1 OR GREATER (HORIZONTAL:VERTICAL)**  
-SLOPES SHALL BE HYDROSEEDING WITH THE MIXTURES AND RATES INDICATED IN THE PERMANENT SEEDING MIXTURE SCHEDULE. STRAW OR HAY MULCH SHALL BE APPLIED AT A RATE OF 2000 LBS/ACRE. STRAW OR HAY MULCH SHALL BE ANCHORED WITH BioD-Mesh60 NETTING AS MANUFACTURED BY RoLANKA INTERNATIONAL OR APPROVED EQUIVALENT. NETTING TO BE INSTALLED PER MANUFACTURER SPECIFICATIONS.

**GENTLE SLOPES AND FLAT AREAS**

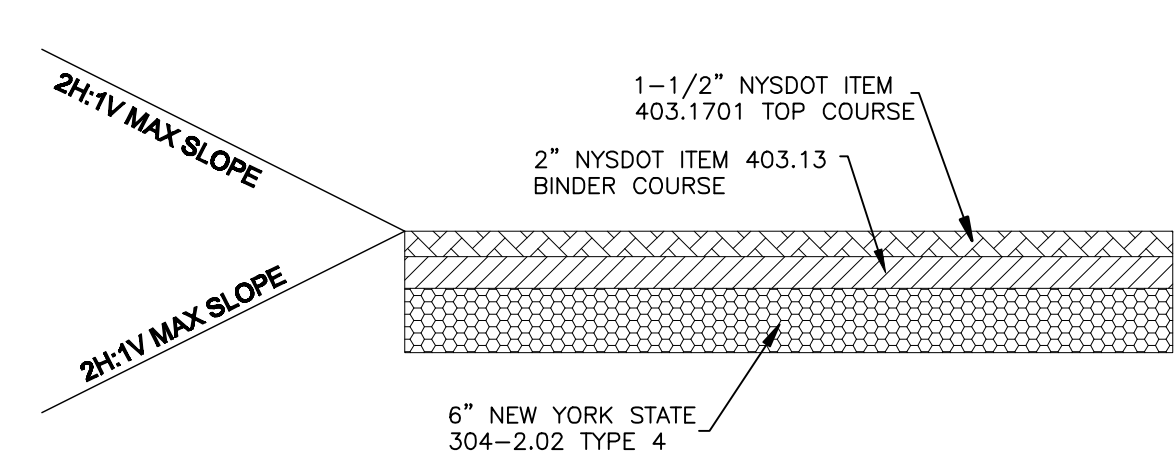
-AREAS SHALL BE SEEDING BY HYDROSEEDING OR BROADCASTING WITH THE MIXTURES AND RATES INDICATED ON THE PERMANENT SEEDING MIXTURE SCHEDULE. HYDROSEEDING AREAS SHALL BE MULCHED WITH A WOOD FIBER MULCH APPLIED AT A RATE OF 500 LBS/ACRE. BROADCAST AREAS SHALL MULCHED WITH HAY OR STRAW AT A RATE OF 2000 LBS/ACRE. AREAS SEEDING BY BROADCASTING SHALL BE LIGHTLY RAKED AND PACKED PRIOR TO PLACING MULCH.

**PERMANENT SWALE, DIVERSION TRENCH**



**PARKING SPACE DETAIL**

NOTE: 1. ONLY PAVED SPACES ARE TO BE DELINEATED WITH PAINTED LINES.



**PROPOSED PAVING DETAIL**

\* NOTE: ALL THICKNESSES ARE MINIMUM

7/24/12	ORIGINAL PREPARATION DATE
DATE	DESCRIPTION
BUILDING ADDITION SITE PLAN FOR <b>TIME WARNER CABLE</b> TOWN OF NEWBURGH ORANGE COUNTY, NEW YORK	
PROJECT TITLE	
<b>DETAILS</b>	
DRAWING TITLE	
SIGNATURE	
DATE	
UNAUTHORIZED ALTERATION OR ADDITION TO A PLAN BEARING A LICENSED LAND SURVEYOR'S OR PROFESSIONAL ENGINEER'S SEAL IS A VIOLATION OF SECTION 7209, SUB-DIVISION 2 OF THE N.Y. STATE EDUCATION LAW.	
<b>JOHN PETROCCIONE P.E.</b>	
LICENSE NO. 078516	
129 NEPTUNE DRIVE, MONROE, NEW YORK 10950	
(845) 782-7725	
SCALE	PROJECT
AS NOTED	TWN-NEWBURGH
CAD REFERENCE	DWG.NO
TWN-NEWBURGH	4 of 4
NYSDEC DWG.NO	
N/A of N/A	
OCHD DWG.NO	
N/A of N/A	