

| EXISTING | |
|------------------------|-----|
| 2' CONTOUR | --- |
| 10' CONTOUR | --- |
| BOUNDARY | --- |
| ADJ. PROPERTY LINE | --- |
| CATCH BASIN | ⊗ |
| UTILITY POLE | ⊗ |
| LIGHT POLE | ⊗ |
| LIGHT POLE W/ LAMPWARE | ⊗ |
| HYDRANT | ⊗ |
| STORM DRAIN | --- |

LEGEND

Shaw Engineering
Consulting Engineers
Newburgh, N.Y. 12550

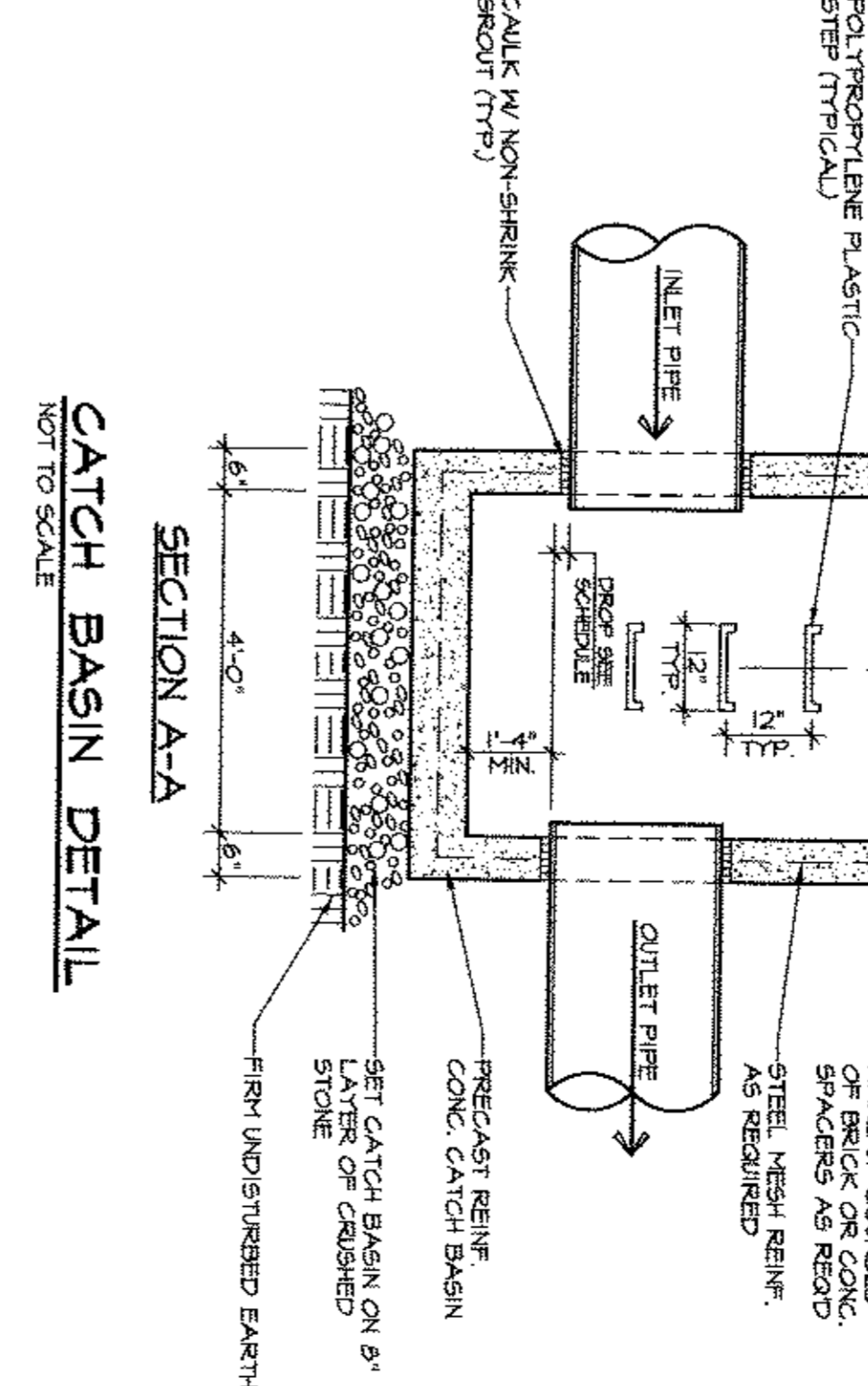
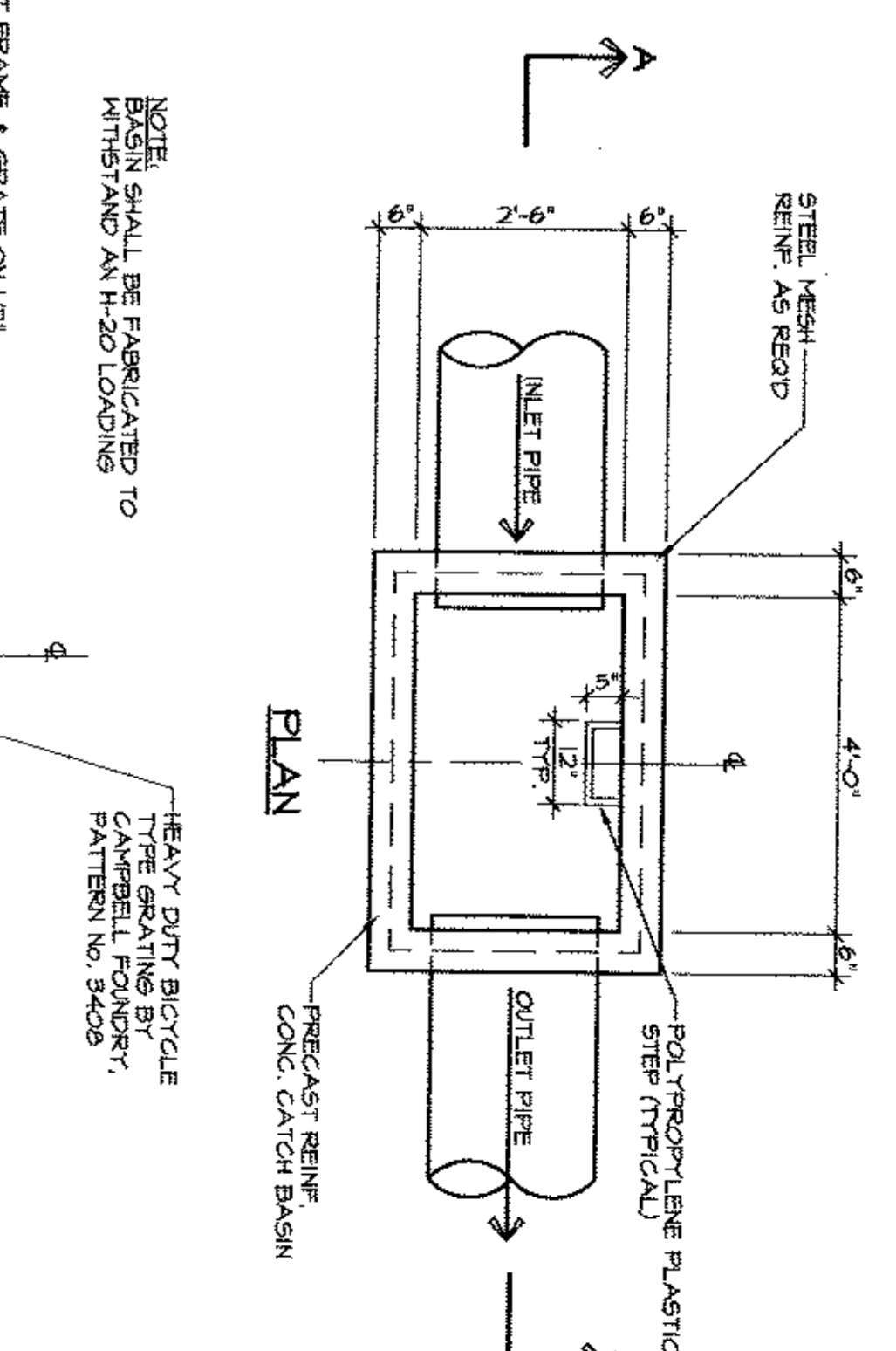
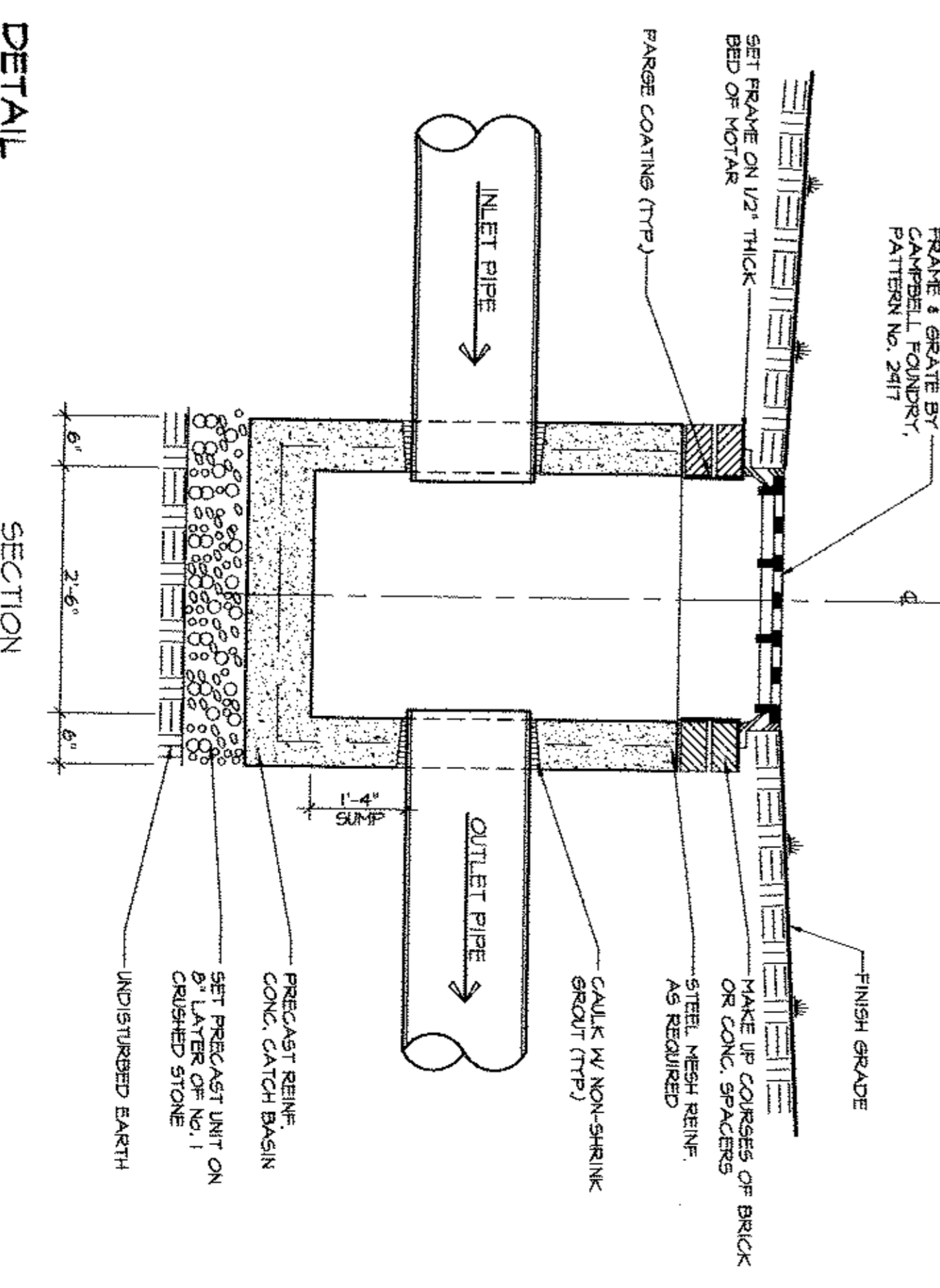
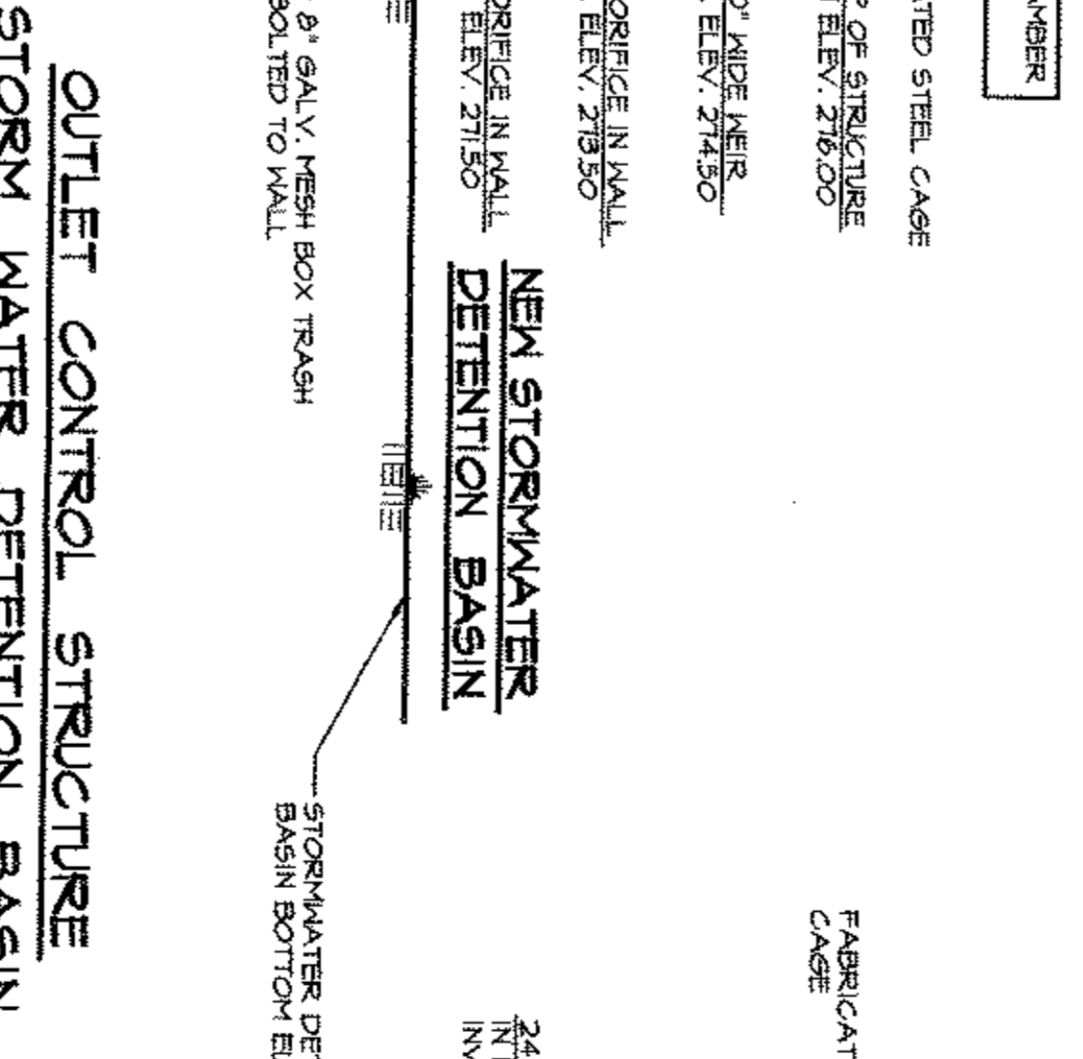
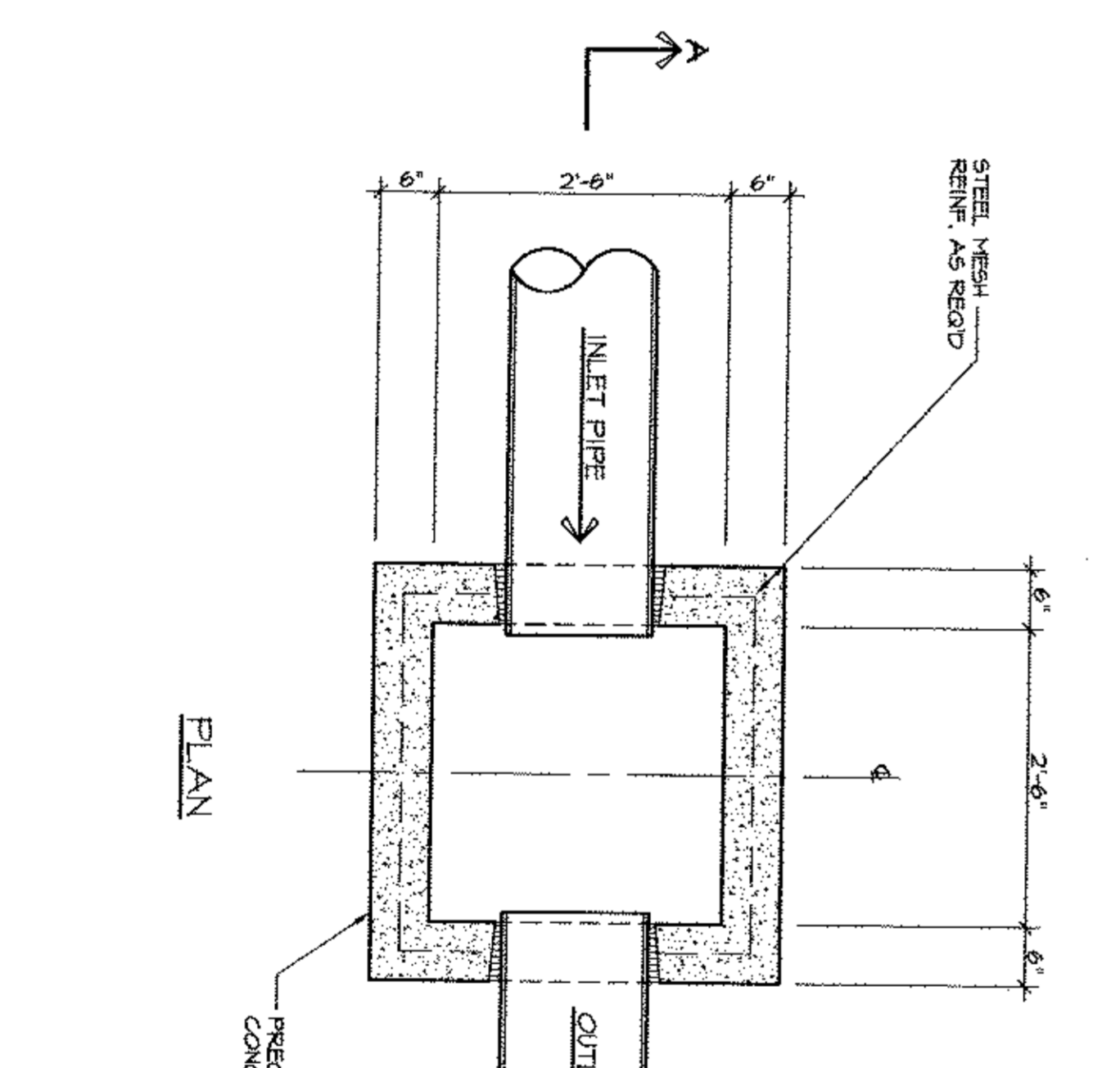
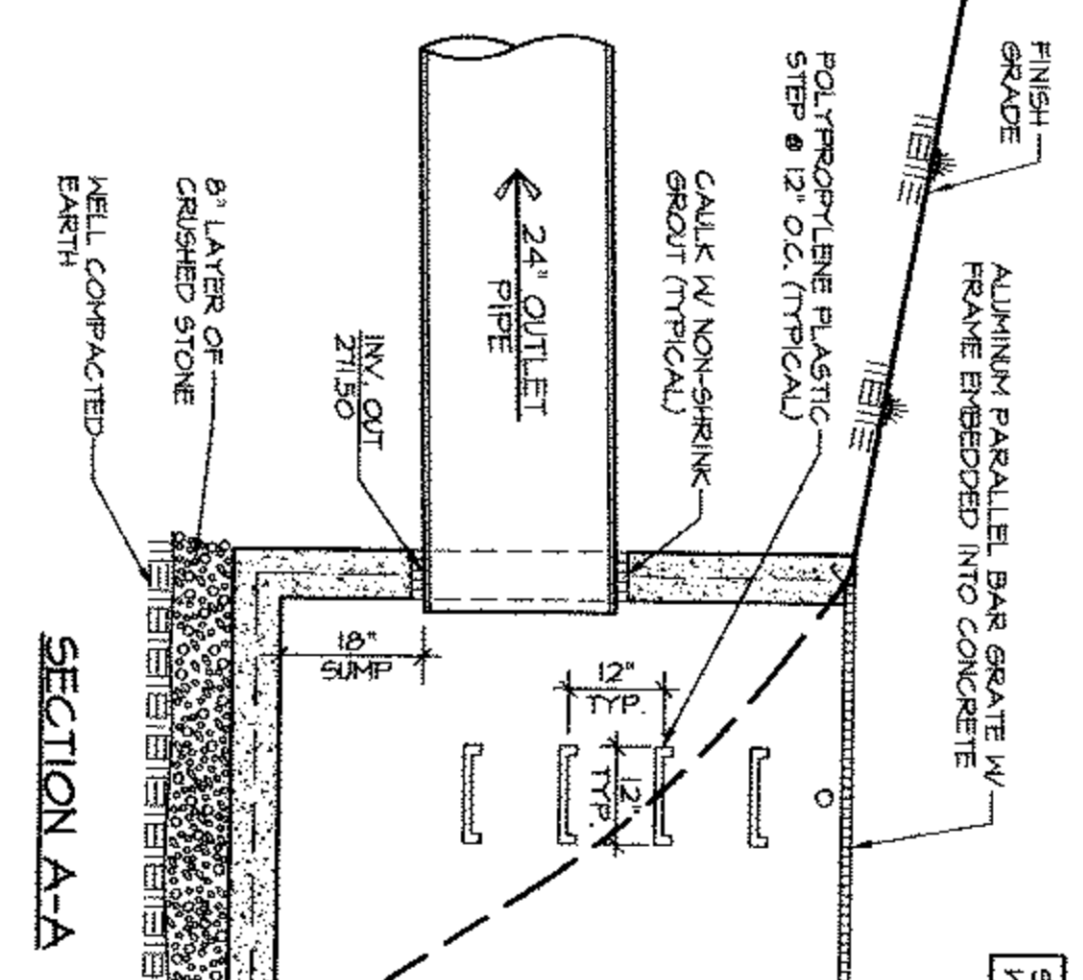
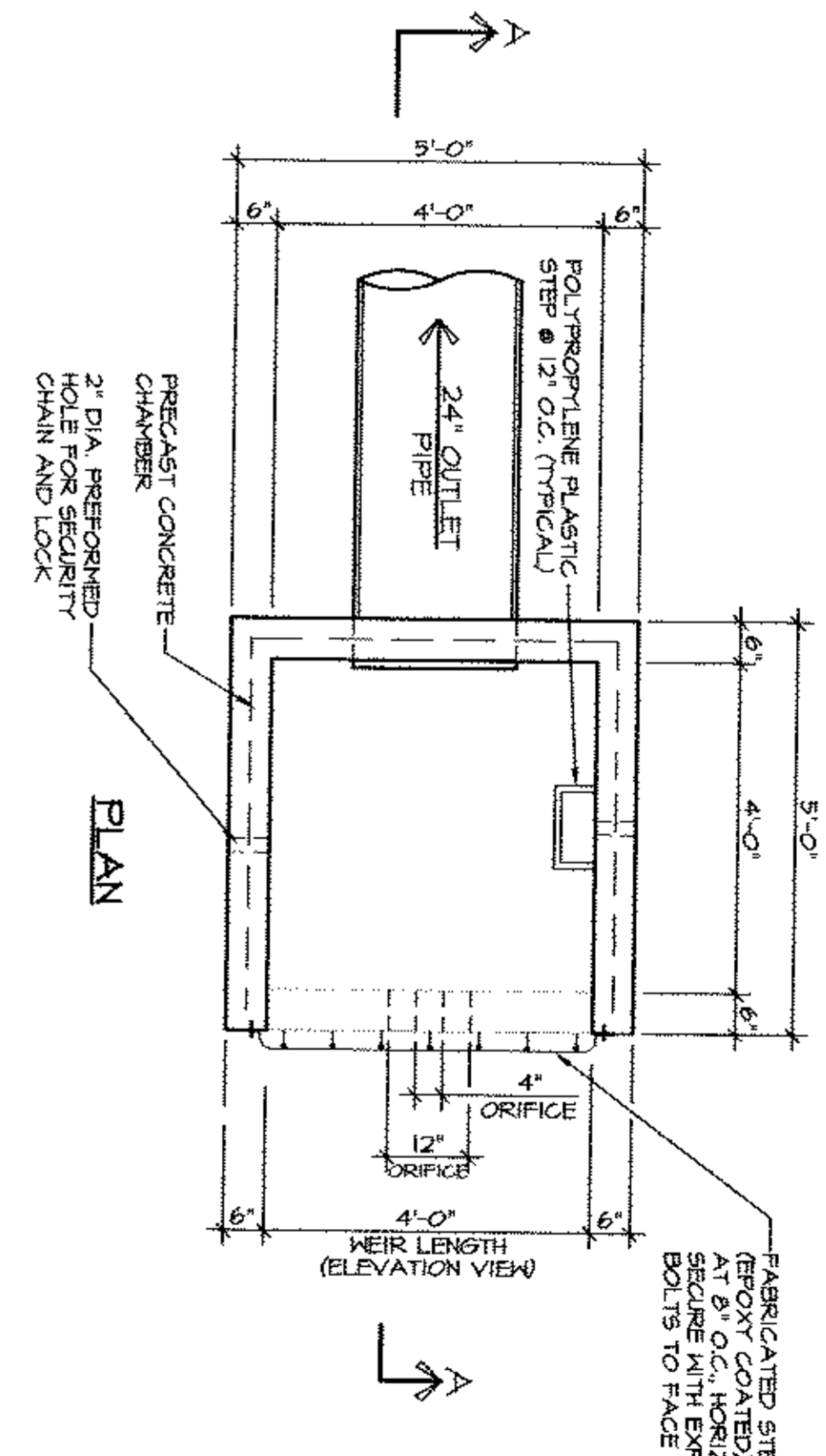
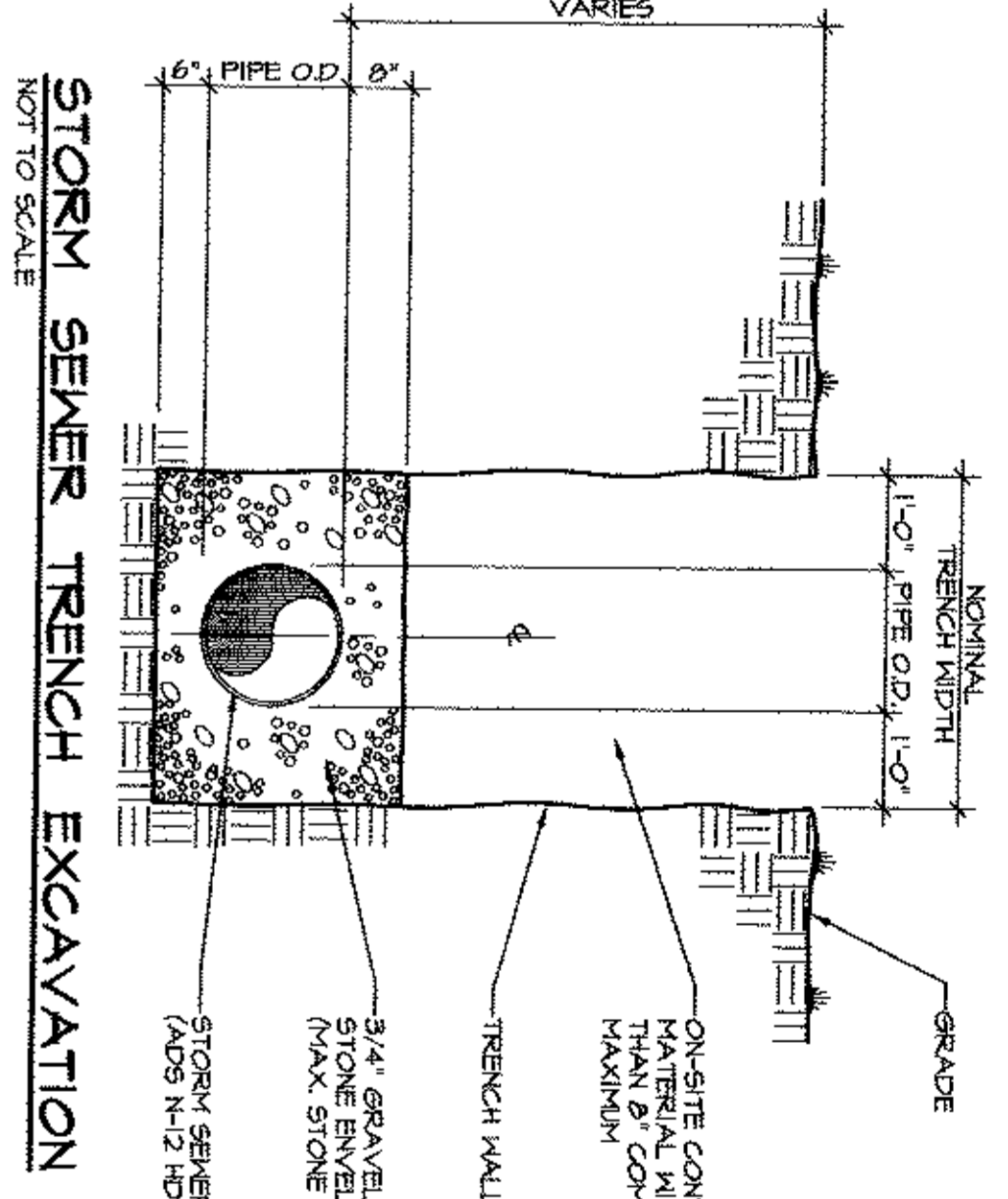
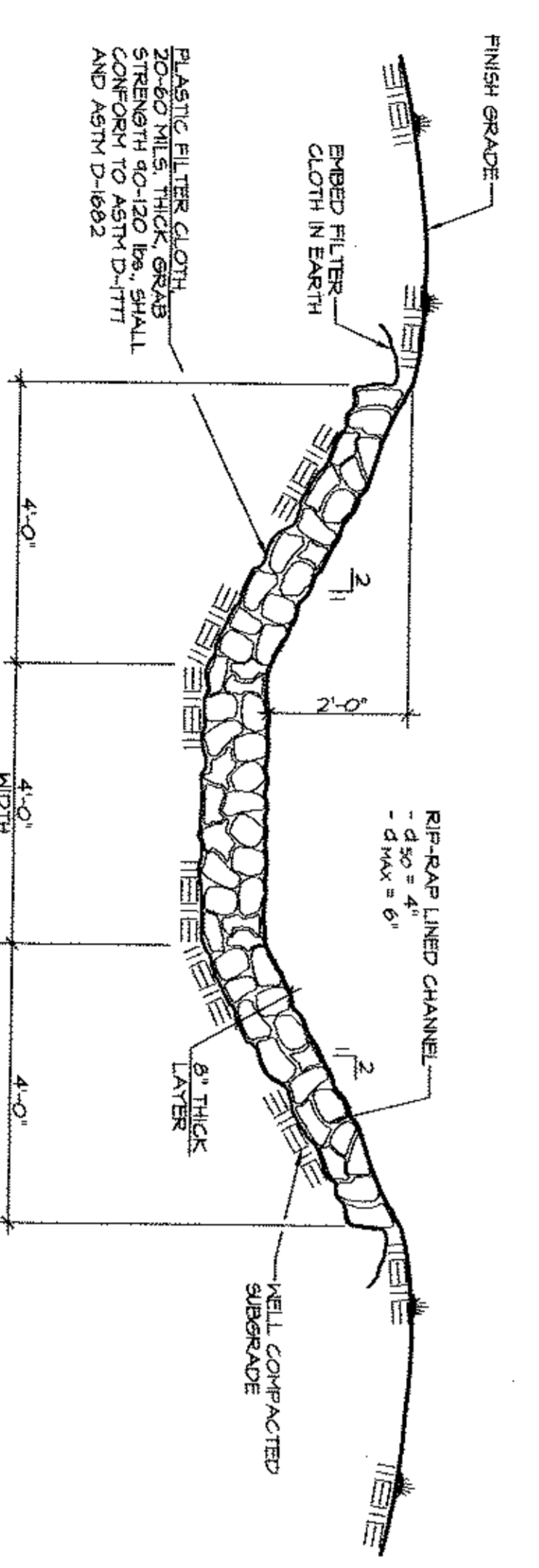
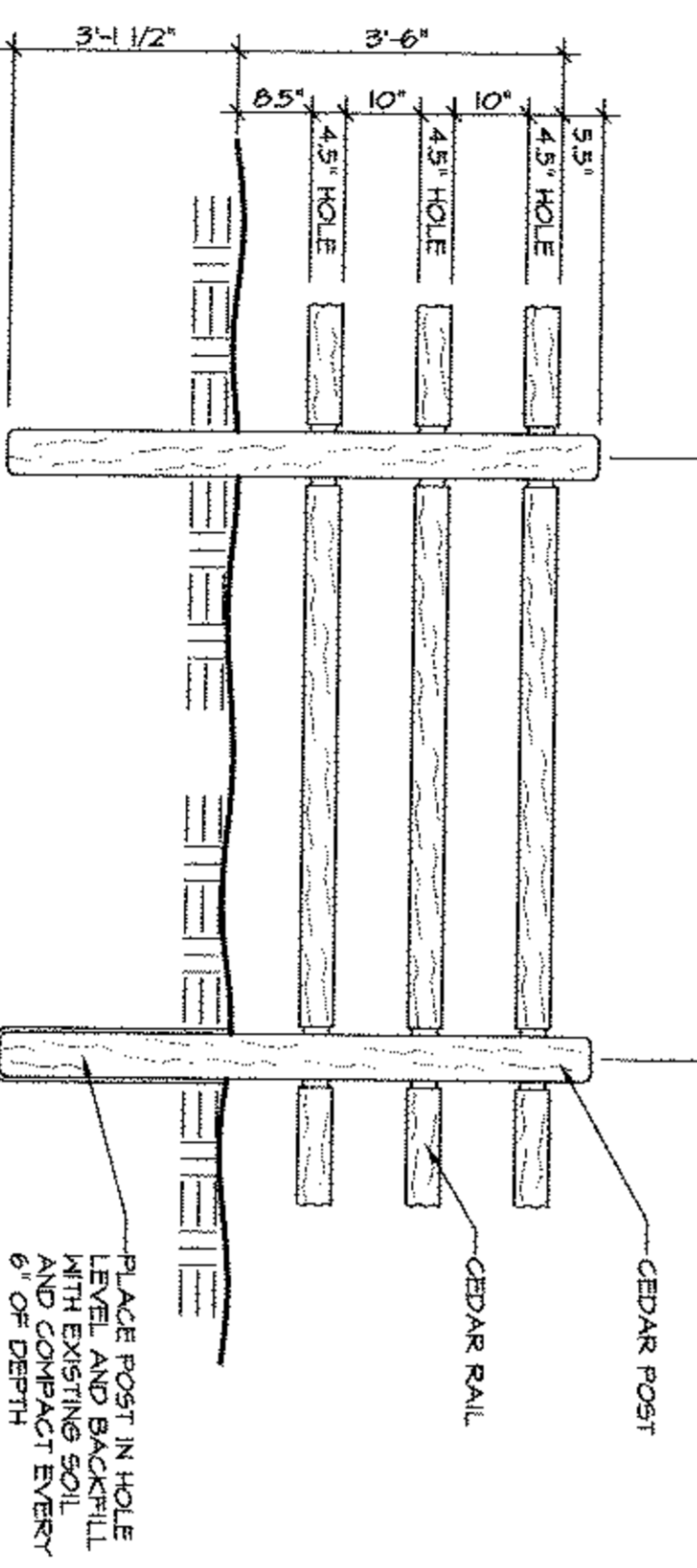
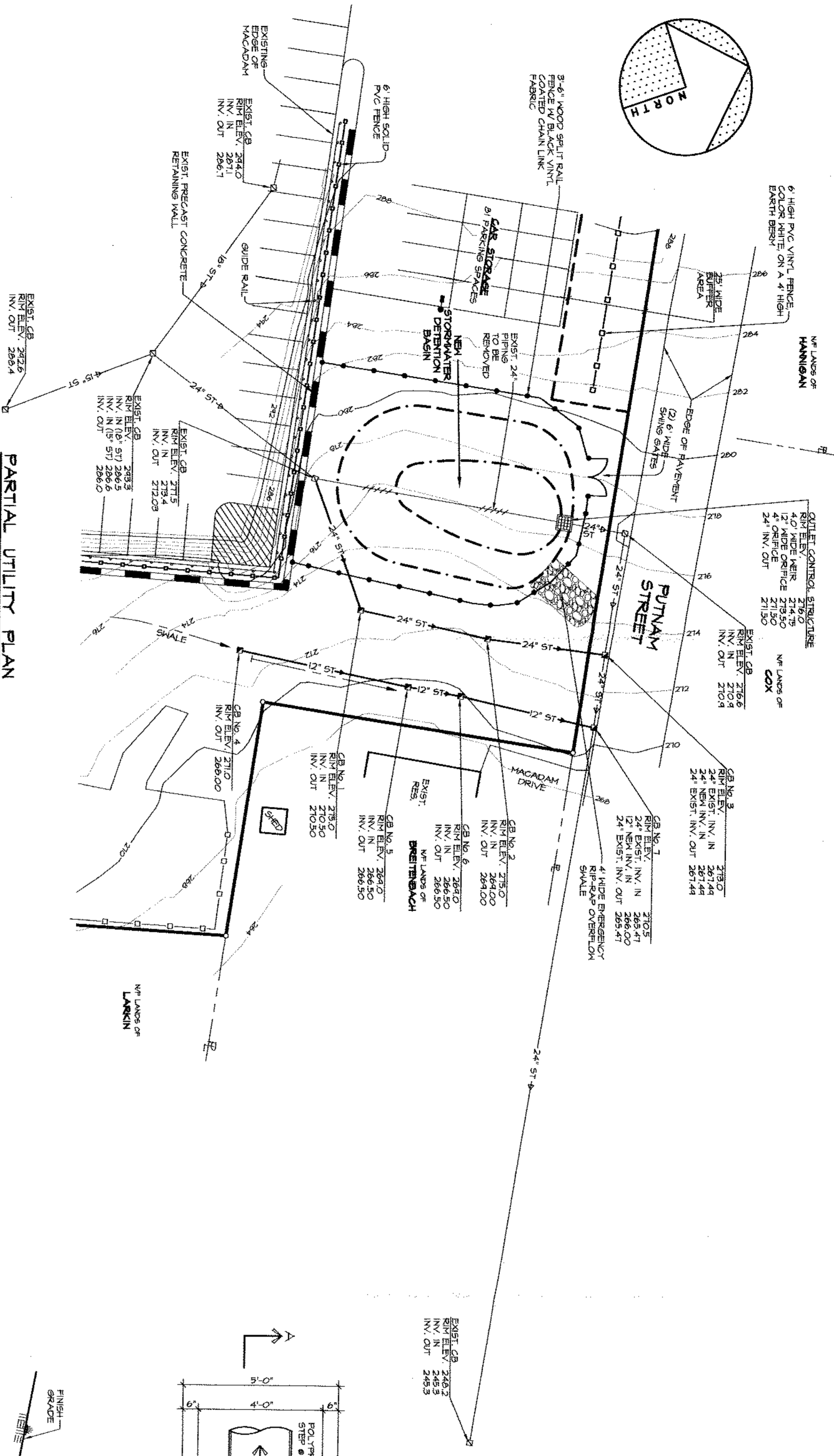
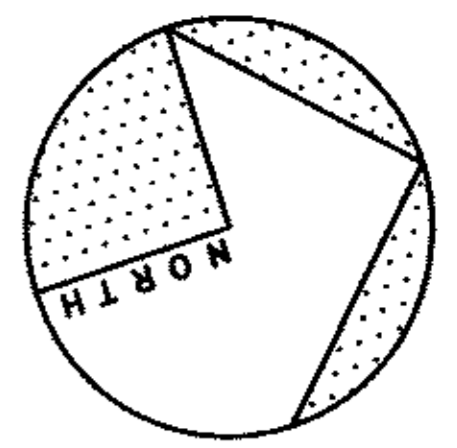
UNAUTHORIZED ALTERATION OR ADDITION TO THIS DOCUMENT IS A VIOLATION OF SECTION 7209-2 OF THE NEW YORK STATE EDUCATION LAW.
COPIES FROM THE ORIGINAL OF THIS DOCUMENT WITHOUT A FACSIMILE OF THE PROFESSIONAL ENGINEER'S SEAL AND SIGNATURE SHALL NOT BE CONSIDERED VALID FOR ANY PURPOSE.
COPYRIGHT 2013 SHAW ENGINEERING

| | | |
|-------|----------|------|
| ISSUE | REVISION | DATE |
| | | |

Drawn By: J.R.L.
Checked By: G.J.S.
Scale: 1"=30'
Date: 12-5-2013

Project: EXISTING CONDITIONS PLAN
2nd FLOOR ADDITION AND PARKING EXPANSION
COLANDREA SUNSHINE FORD
TOWN OF NEWBURGH, N.Y.

Project No. 1203



| | | |
|-------|----------|------|
| ISSUE | REVISION | DATE |
| | | |
| | | |

