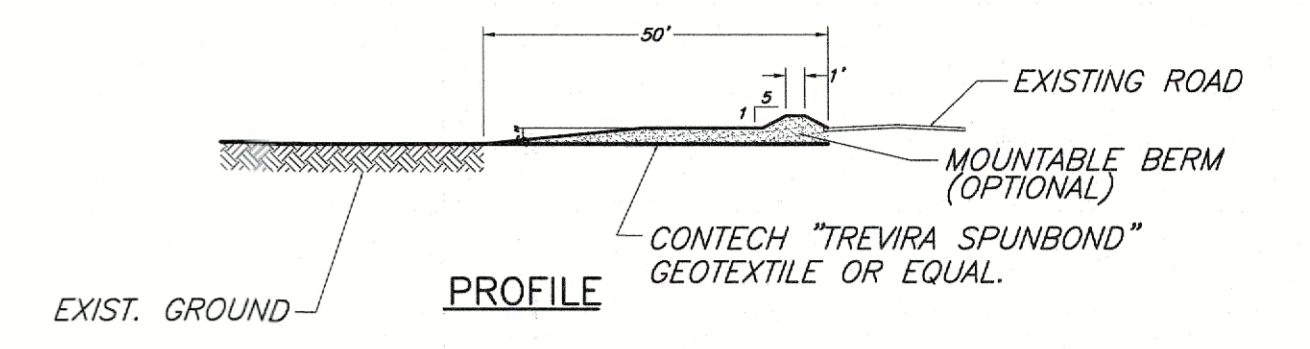


**REQUIRED SEPARATION DISTANCES FROM WASTEWATER SYSTEM COMPONENTS**  
 (AS SHOWN IN NYS DEPARTMENT OF HEALTH DESIGN HANDBOOK FOR  
 INDIVIDUAL RESIDENTIAL WASTEWATER TREATMENT SYSTEMS, ed. 1996)

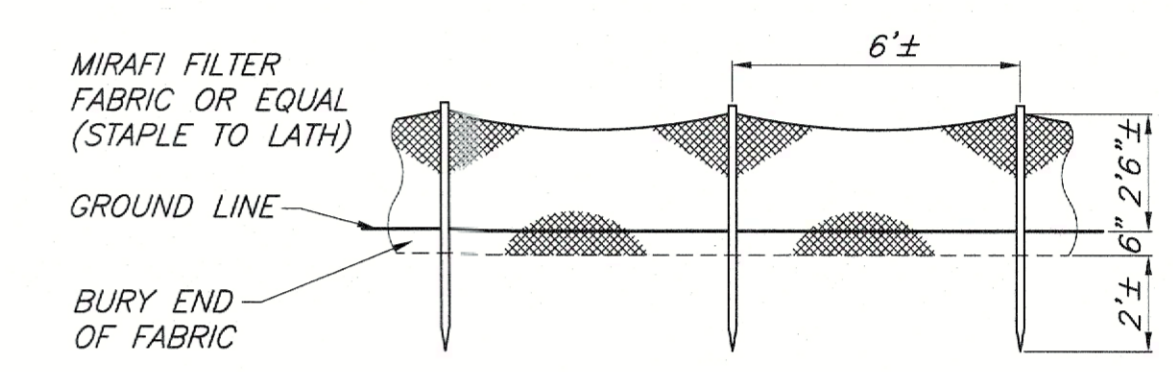
SYSTEM COMPONENTS	WELL OR SUCTION LINE	STREAM, LAKE, WATERCOURSE OR WETLAND	DWELLING	PROPERTY LINE	DRAINAGE DITCH
HOUSE SEWER	50' (25' FOR CAST OR PVC W/ O-RING)	25'	3'	10'	---
(WATERTIGHT JOINTS) SEPTIC TANK	50'	50'	10'	10'	10'
EFFLUENT LINE TO DISTRIBUTION BOX	50'	50'	10'	10'	20'
DISTRIBUTION BOX	100'	100'	20'	10'	50'
ABSORPTION FIELD	100'	100'	20'	10'	50'
SEEPAGE PIT	150'	100'	20'	10'	50'
DRY WELL (ROOF AND FOOTING)	50'	25'	20'	10'	10'
RAISED OR MOUND SYSTEM	100'	100'	20'	10'	50'
INTERMITTENT SAND FILTER	100'	100'	20'	10'	20'
EVAPOTRANSPIRATION-ABSORPTION SYSTEM	100'	50'	20'	10'	50'
COMPOSTER	50'	50'	20'	10'	10'
SANITARY PRIVY PIT	100'	50'	20'	10'	20'
PRIVY, WATERTIGHT VAULT	50'	50'	20'	10'	10'



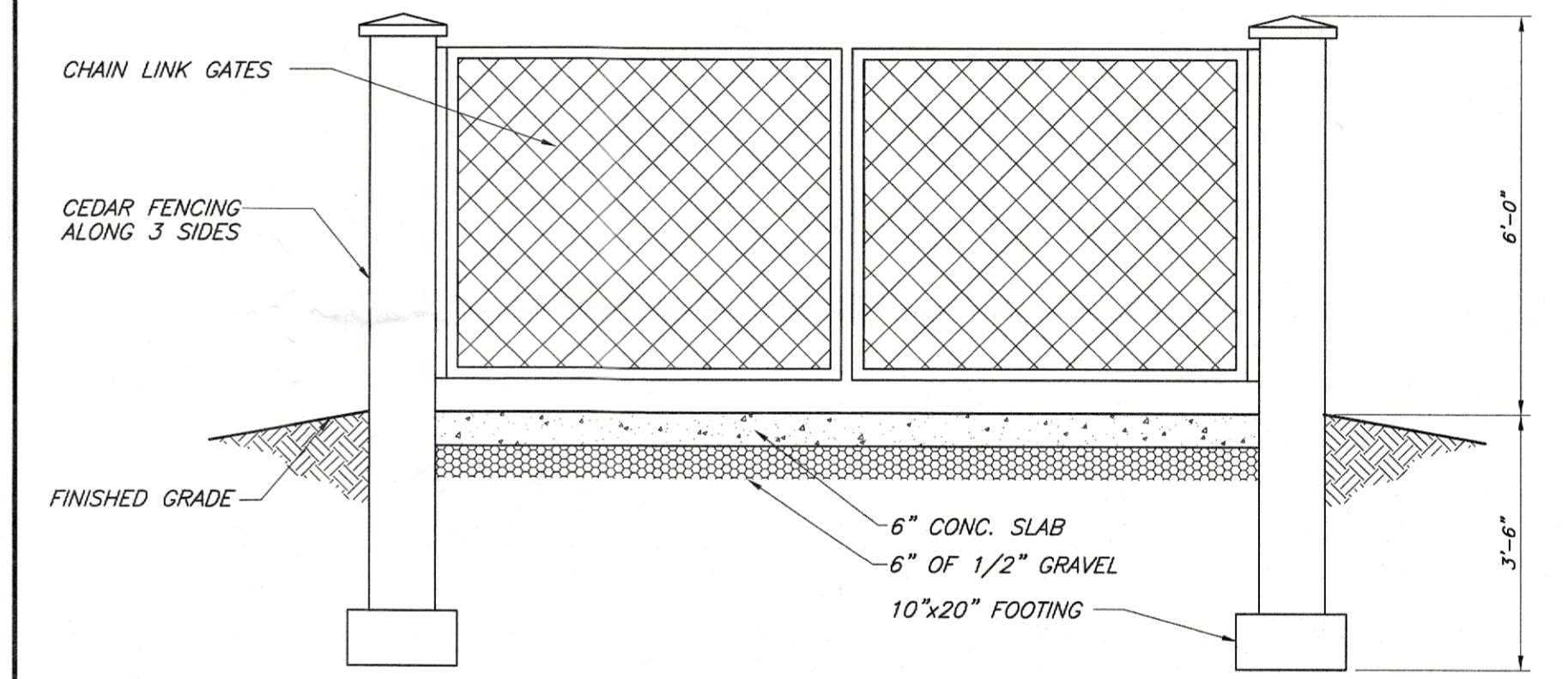
ALL SEDIMENTATION STRUCTURES WILL BE INSPECTED AND MAINTAINED ON A REGULAR BASIS. A CRUSHED STONE, VEHICLE WHEEL-CLEANING BLANKET WILL BE INSTALLED WHENEVER A CONSTRUCTION ACCESS ROAD INTERSECTS ANY PAVED ROADWAY. SAID BLANKET WILL BE COMPOSED OF 6" DEPTH OF 1"-1 1/2" CRUSHED STONE, WILL BE AT LEAST 30' x 50' AND SHOULD BE PLACED ON COMPACTED SUB-GRADE AND SHALL BE MAINTAINED.

ALL STORM DRAINAGE OUTLETS WILL BE STABILIZED, AS REQUIRED, BEFORE DISCHARGE POINTS BECOME OPERATIONAL.

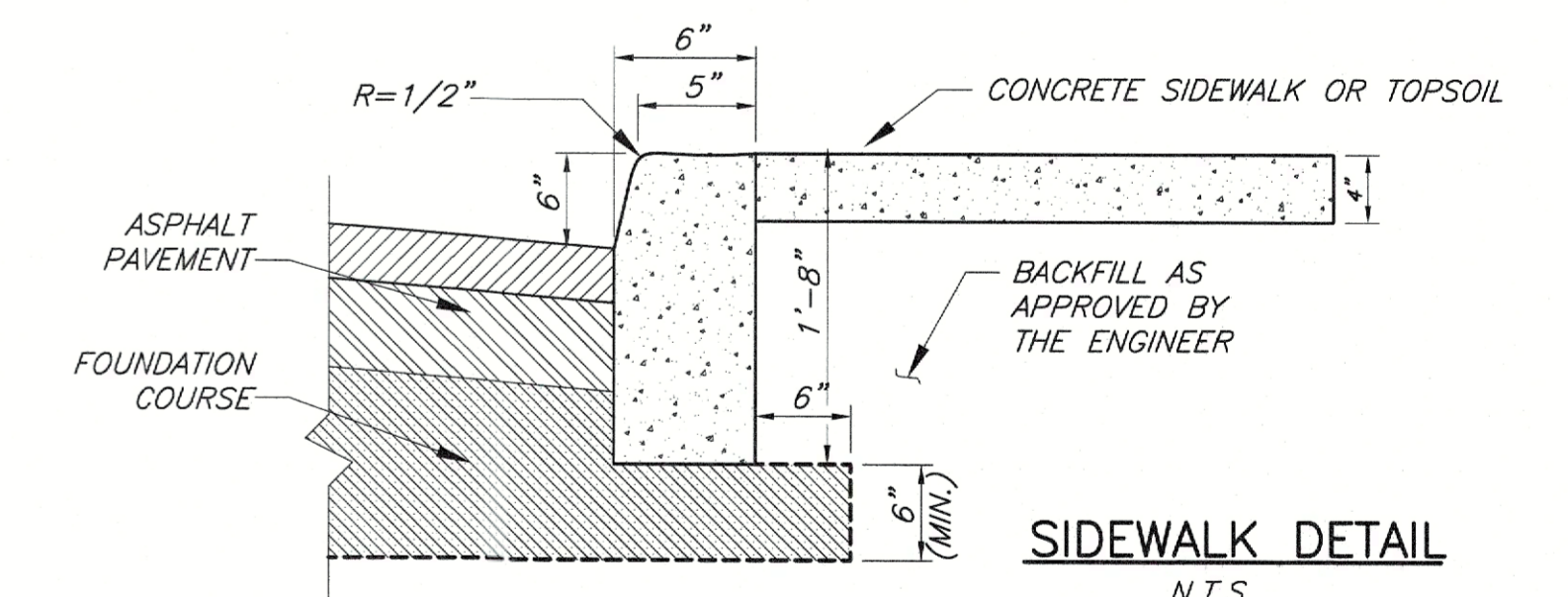
**STABILIZED CONSTRUCTION ENTRANCE**  
 N.T.S.



**SILT FENCE DETAIL**  
 N.T.S.



**DUMPSTER ENCLOSURE DETAIL**  
 N.T.S.

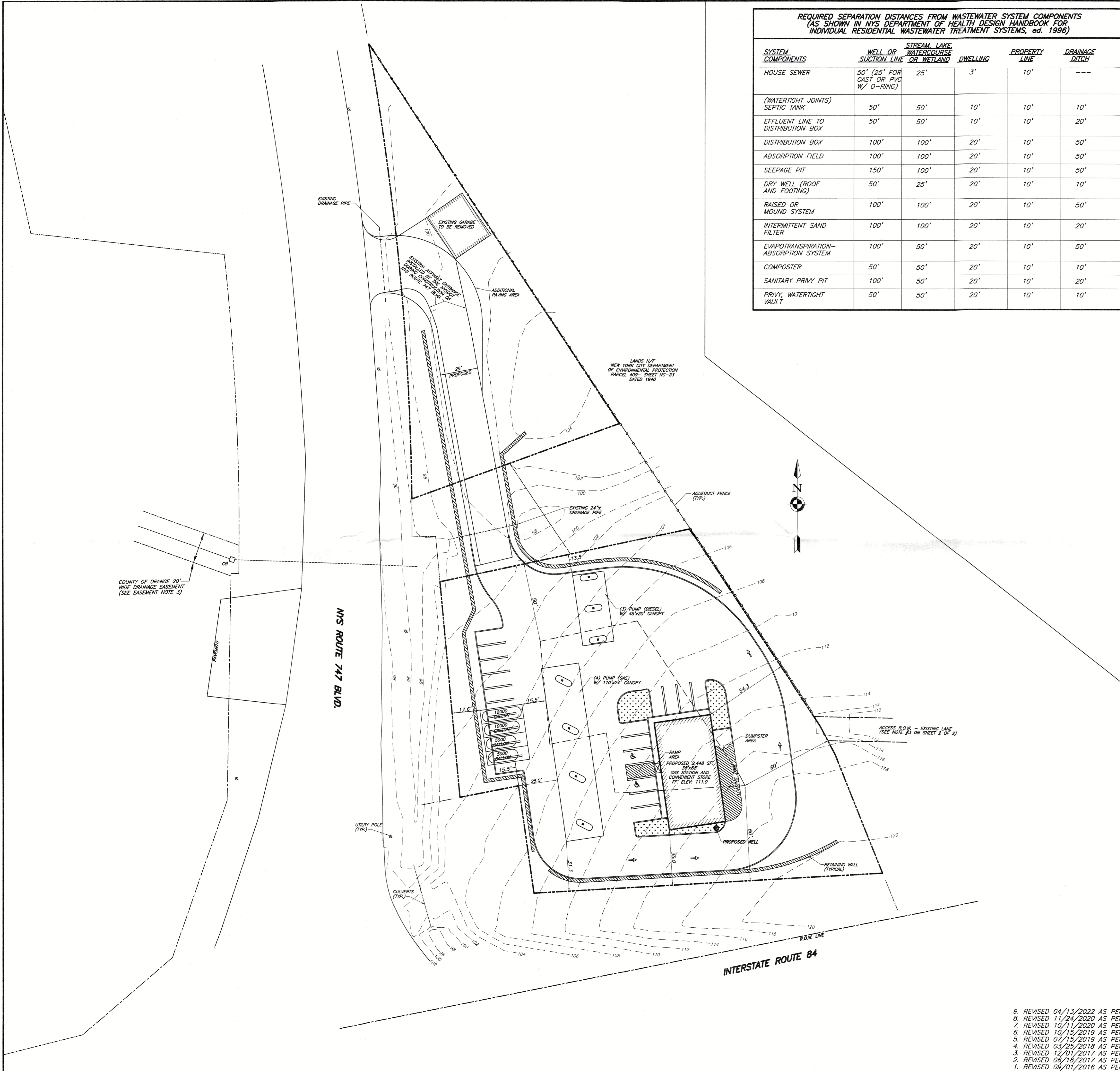


**SIDEWALK DETAIL**  
 N.T.S.

COUNTY OF ORANGE 20' WIDE DRAINAGE EASEMENT (SEE EASEMENT NOTE 3)

NYS ROUTE 747 BLVD.

INTERSTATE ROUTE 84



- 9. REVISED 04/13/2022 AS PER ZBA COMMENTS
- 8. REVISED 11/24/2020 AS PER CLIENT COMMENTS
- 7. REVISED 10/11/2020 AS PER CLIENT COMMENTS
- 6. REVISED 10/15/2019 AS PER OCHD COMMENTS
- 5. REVISED 07/15/2019 AS PER OCHD COMMENTS
- 4. REVISED 03/25/2018 AS PER ZBA VARIANCE
- 3. REVISED 12/01/2017 AS PER ZBA COMMENTS
- 2. REVISED 06/18/2017 AS PER PLANNING BOARD COMMENTS
- 1. REVISED 09/01/2016 AS PER NYSDOT

NOT FOR OCHD REVIEW OR APPROVAL

ENGINEER WILLIAM J. MOREAU	PROPOSED SITE PLAN NEWBURGH PARK ASSOCIATES, INC. PROPOSED SITE PLAN SBL: 89-1-(80.1 & 80.2) TOWN OF NEWBURGH, ORANGE COUNTY, NY		
	DATE 7/7/2016	SCALE 1"=30'	JOB NUMBER 15-008-PMU
		SHEET NUMBER 2 OF 5	