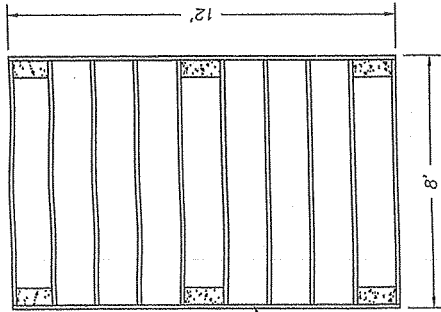


SHED FLOOR PLAN

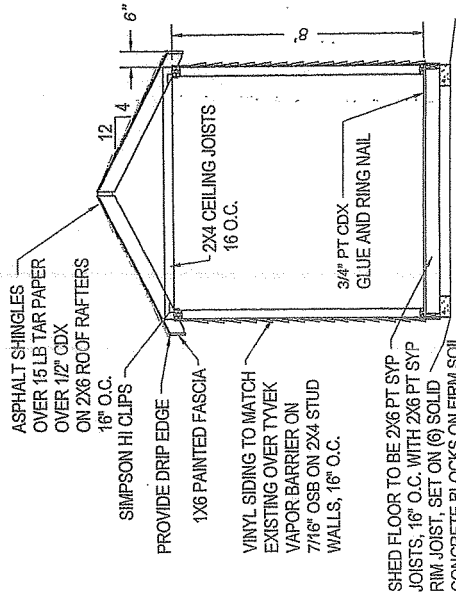
SCALE: 1/4"=1'-0"



SHED FLOOR TO BE 2x6 PT SYP JOISTS, 16" O.C. WITH 2x6 PT SYP RIM JOIST, SET ON (6) SOLID CONCRETE BLOCKS ON FIRM SOIL

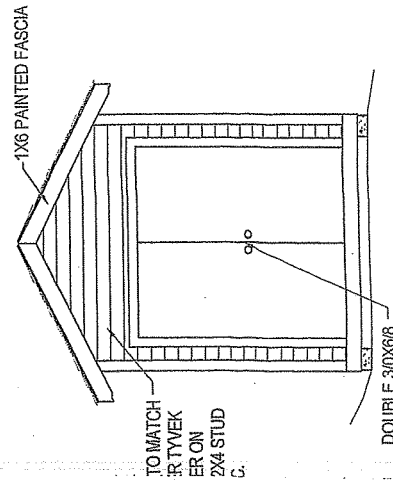
SHED FLOOR FRAMING PLAN

SCALE: 1/4"=1'-0"



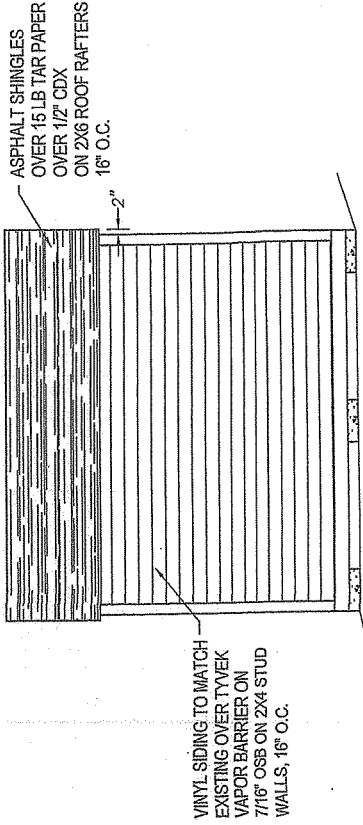
SECTION THRU SHED

SCALE: 1/4"=1'-0"



SHED FRONT ELEVATION

SCALE: 1/4"=1'-0"



SHED SIDE ELEVATION

SCALE: 1/4"=1'-0"