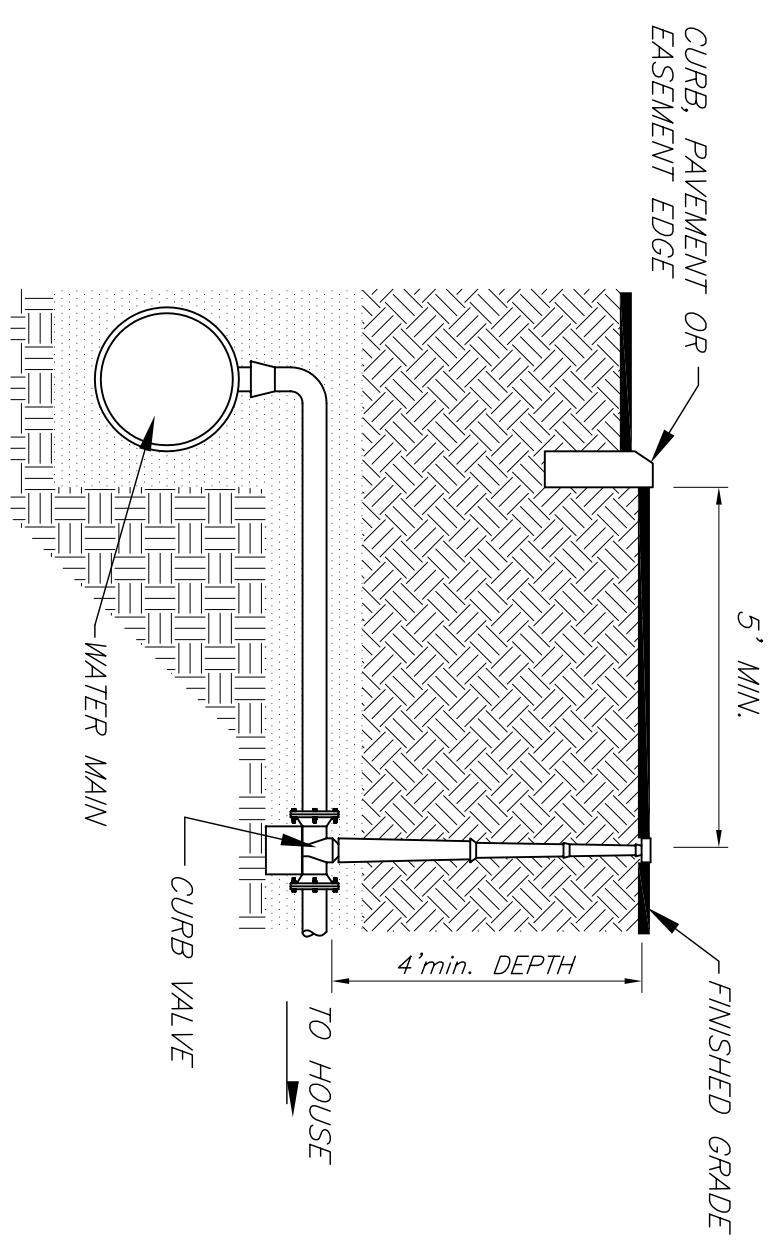


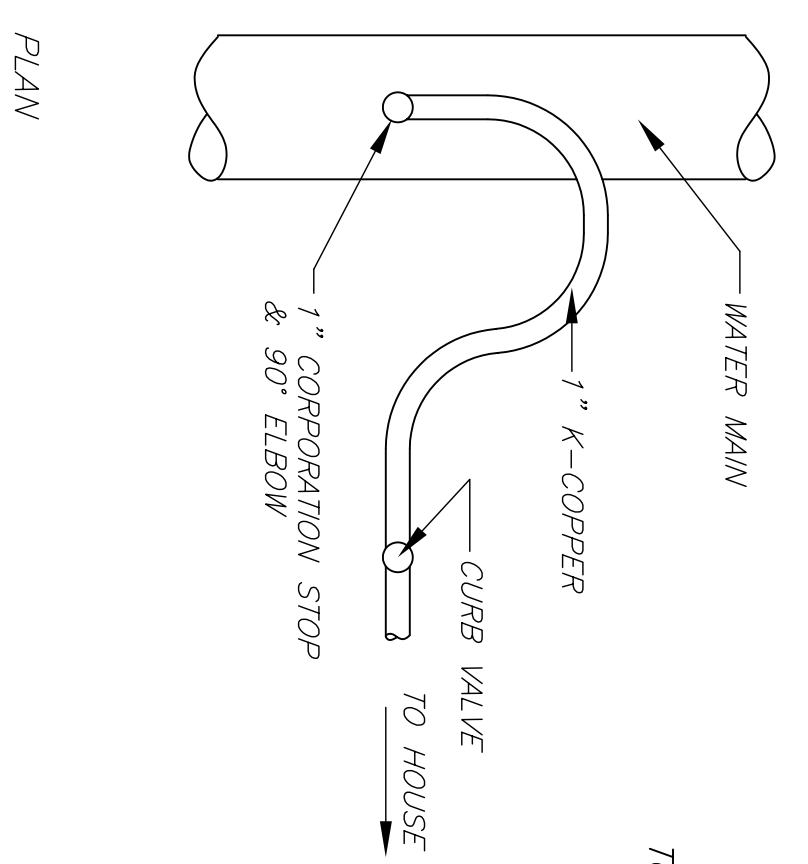
1. INSERT A SPEED LEVELER IN THE END OF ALL OUTLET PIPES. THE FORBIDDEN ARROW MUST ENTER ALL OUTLETS EQUALLY.  
2. ROTATE UNTIL EFFLUENT ENTERS ALL OUTLETS EQUALLY.  
WOODARD'S SPEED LEVELER FSL-4  
N.I.S.

WOODARD'S 1.25000L SEPTIC TANK OR EQUAL  
N.I.S.

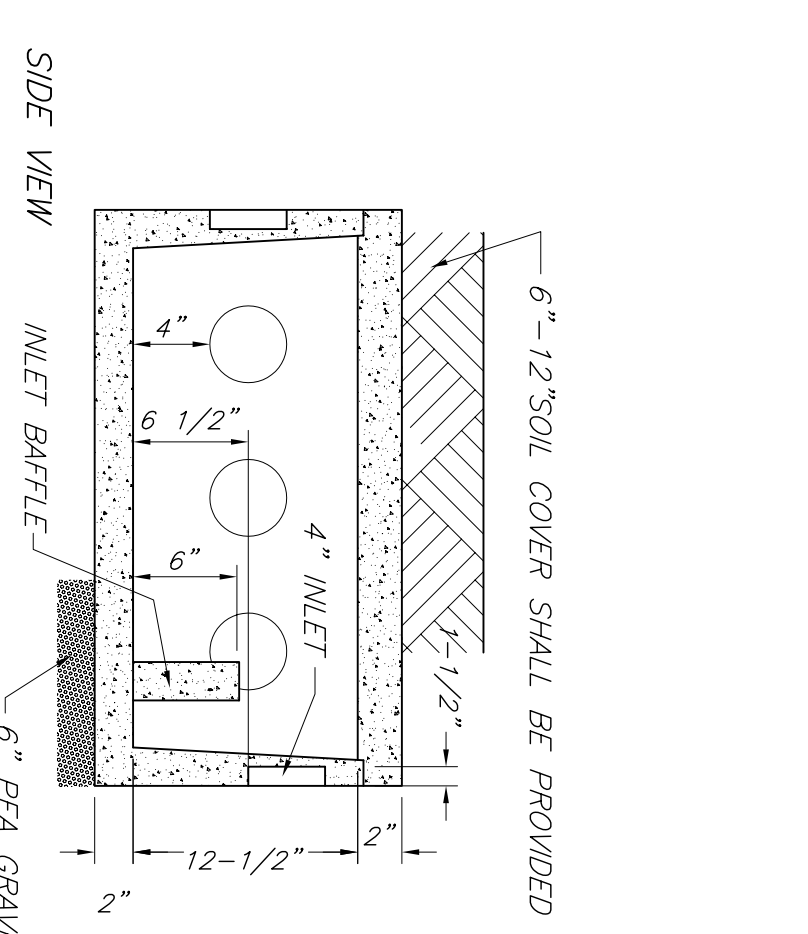
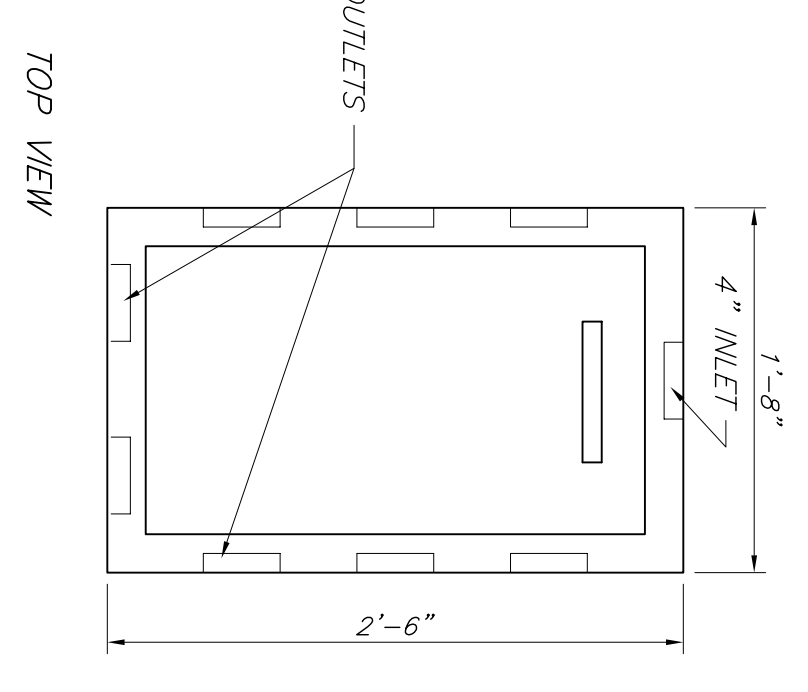
**SPECIFICATIONS**  
CONCRETE MINIMUM STRENGTH - 4,000 PSI AT 28 DAYS  
REINFORCEMENT - 6"x6" 10GA. WWF. #4 REBAR  
AIR ENTRAPMENT - 5%  
CONSTRUCTION JOINT - BUTYL RUBBER - BASE CEMENT PIPE CONNECTION - POLYLOC SEAL (PATENTED)  
LOAD RATING - 300PSF WEIGHT = 9,500LBS



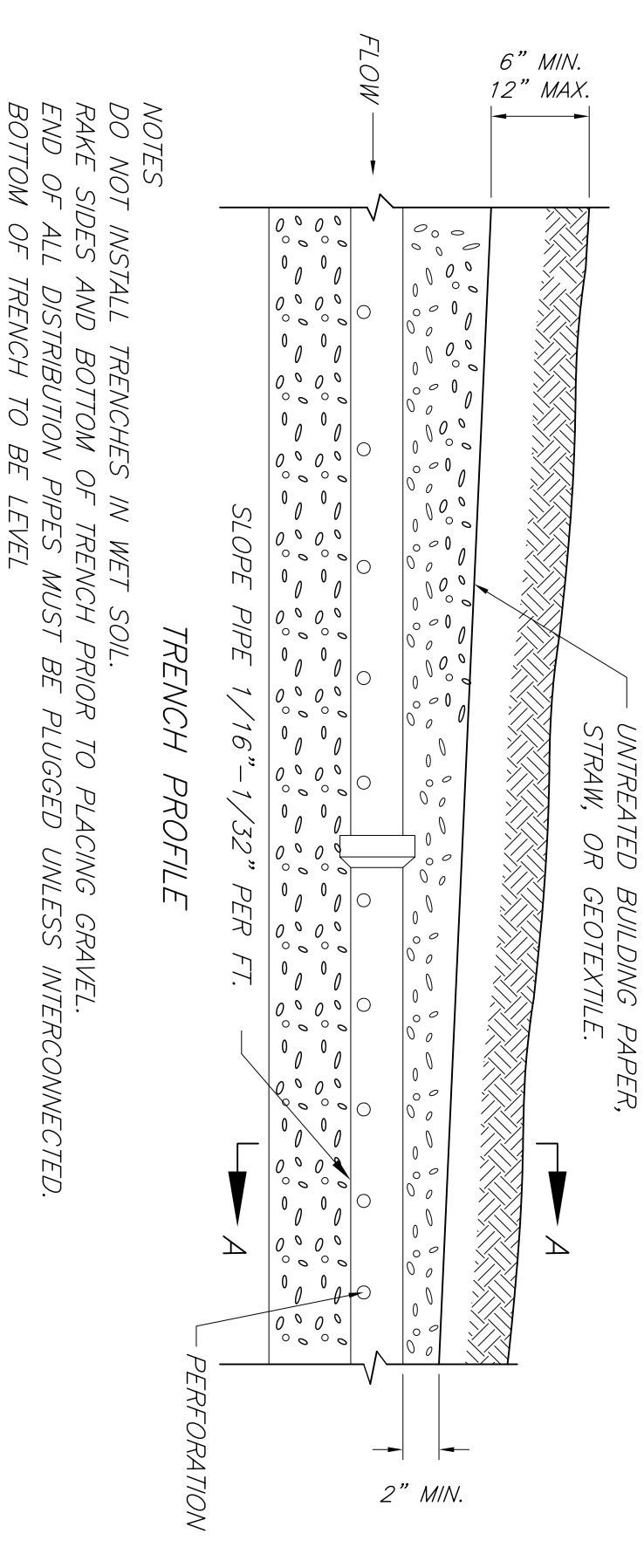
SECTION  
WATER SERVICE CONNECTION DETAIL  
N.I.S.



PLAN

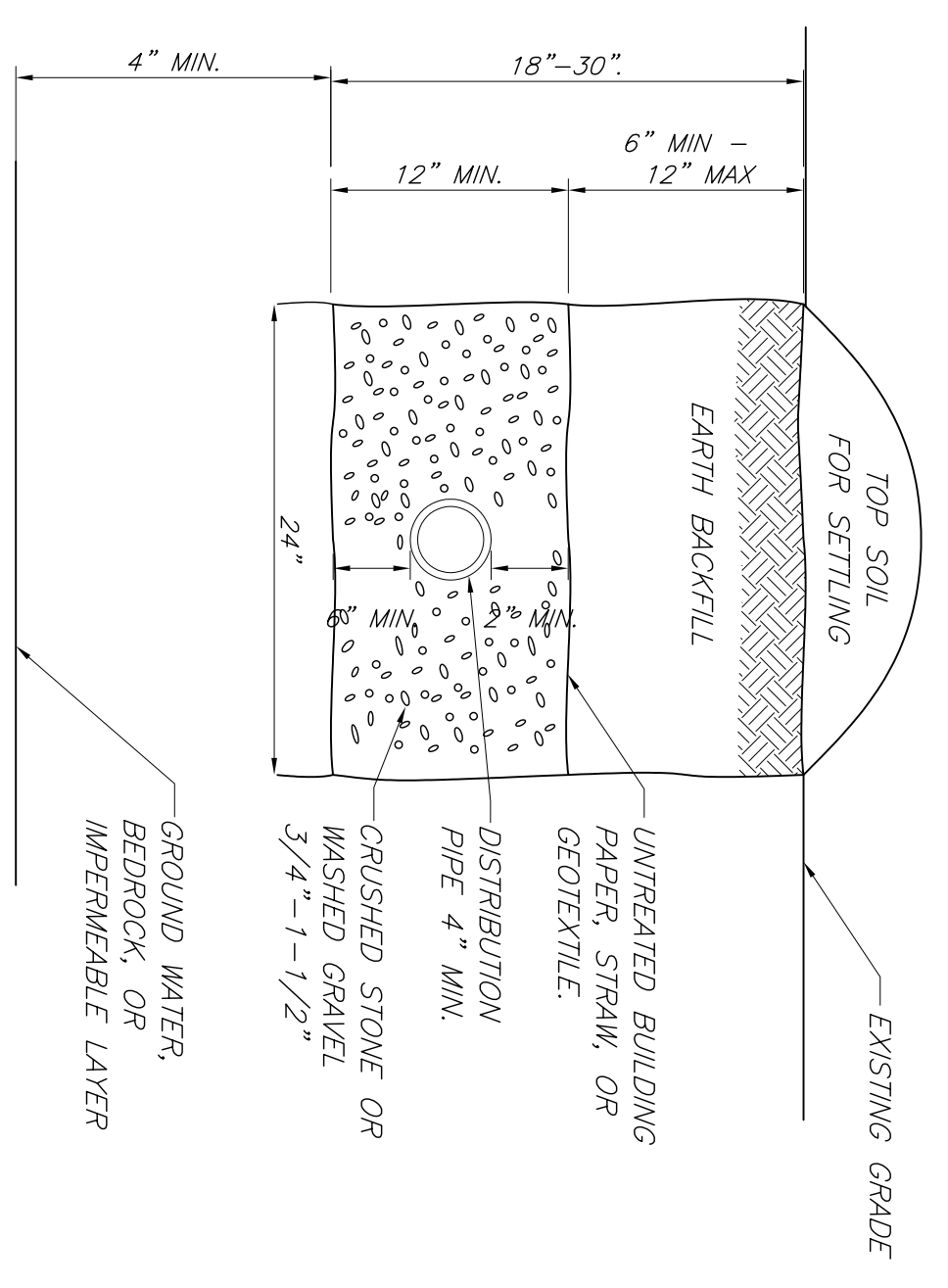


**SPECIFICATIONS**  
CONCRETE MINIMUM STRENGTH - 4,000 PSI AT 28 DAYS  
REINFORCEMENT - #1 REBAR  
AIR ENTRAPMENT - 5%  
CONSTRUCTION JOINT - BUTYL RUBBER SEAL (PATENTED)  
LOAD RATING - 300 PSF WEIGHT = 290 LBS

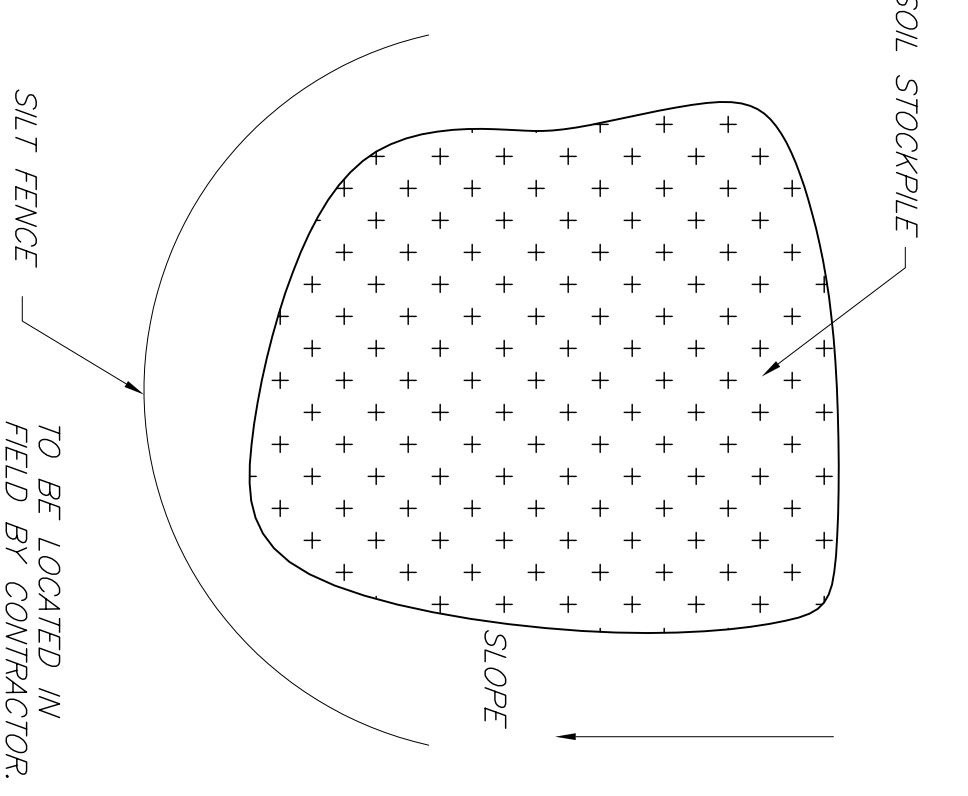


NOTES  
DO NOT INSTALL TRENCHES IN WET SOIL.  
RAKE SIDES AND BOTTOM OF TRENCH PRIOR TO PLACING GRAVEL.  
END OF ALL DISTRIBUTION PIPES MUST BE PLUGGED UNLESS INTERCONNECTED.  
BOTTOM OF TRENCH TO BE LEVEL.  
ABSORPTION TRENCH DETAIL  
N.I.S.

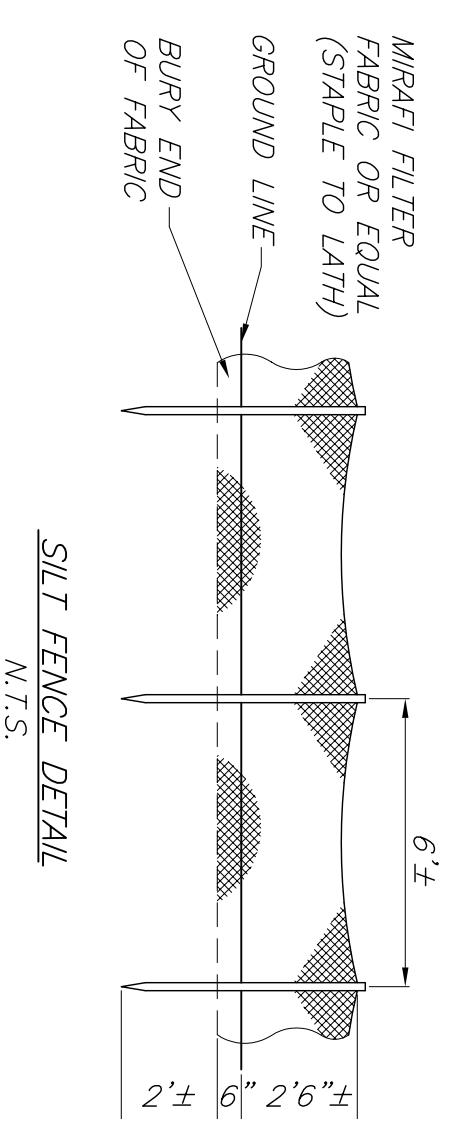
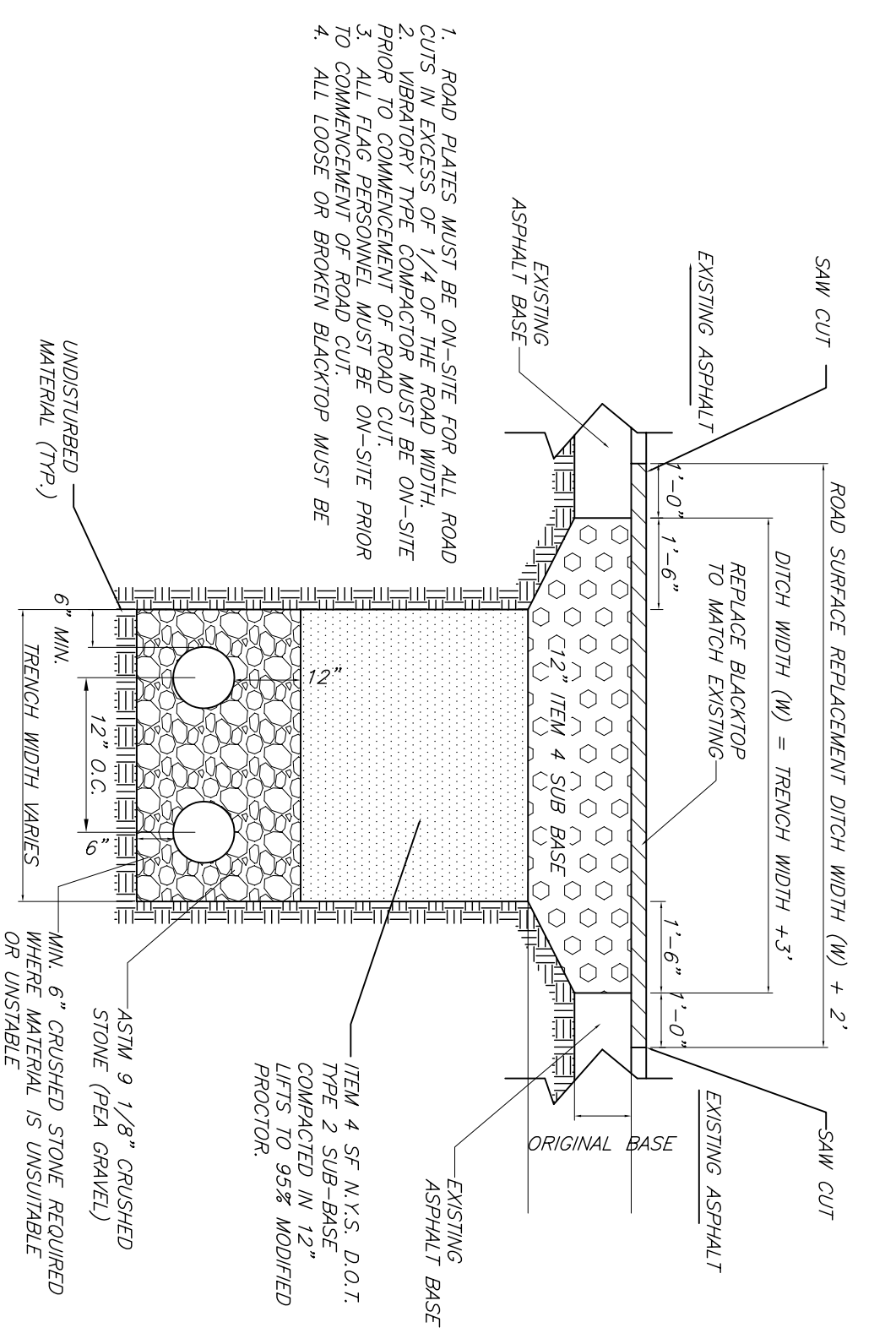
SECTION A-A



SOIL STOCKPILE DETAIL  
N.I.S.



FLEXIBLE PAVEMENT DETAIL AND TRENCH LIMITS  
N.I.S.



**SILT FENCE NOTES**  
IT SHALL BE THE RESPONSIBILITY OF THE CONTRACTOR TO PROVIDE AND MAINTAIN SILT FENCES THROUGHOUT THE CONSTRUCTION PERIOD. SILT FENCES ARE TO BE USED FOR SILTATION CONTROL AROUND ALL AREAS THAT WILL BE DISRUPTED DURING CONSTRUCTION. SILT FENCES ARE TO BE MAINTAINED TO THE SATISFACTION OF THE ENGINEER AND WILL BE REMOVED BY THE CONTRACTOR ONCE GROUND COVER IS REESTABLISHED.

THIS SHEET IS VOID IF NOT ACCOMPANIED BY ALL SHEETS IN THE SET  
**TALCOTT ENGINEERING DESIGN, PLLC.**

**ENGINEER**  
**CHARLES T. BROWN, P.E.**  
P.O. BOX 4420  
NEW WINDSOR, N.Y. 12553

REVISIONS	REL. DATE	BY	DESCRIPTION
1	09/07/12	TR	REVISED PER PLANNING BOARD COMMENTS

**DETAILS**  
2 LOT SUBDIVISION & LOT LOVE CHANGE ENTITLED  
**POTTER'S RIDGE SUBDIVISION**  
POTTER'S RIDGE (SBL. 26-6-20 & 23)  
TOWN OF NEWBURGH, COUNTY OF ORANGE, NY

DATE: 08/14/12  
SCALE: AS NOTED  
JOB NUMBER: 12088-BRO  
SHEET NUMBER: 3 OF 3

WHETHER YOU'RE LAYING A FOUNDATION FOR A BUILDING OR PLANTING A TREE, YOU MUST FIRST CHECK FOR THE EXISTENCE OF UNDERGROUND UTILITY LINES AND CABLES. IF YOU OR YOUR CONTRACTOR DISRUPT ANY OF THESE LINES, THE RESULTS CAN BE DANGEROUS AND COSTLY - TO EVERYONE. CALL BEFORE YOU DIG, TOLL FREE, 1.800.272.4480 (IN NEW YORK CITY AND LONG ISLAND) OR 1.800.928.2922 (IN ALL OTHER AREAS OF THE STATE).

CALL BEFORE YOU DIG... IT'S THE LAW