



**McGOEY, HAUSER and EDSALL
CONSULTING ENGINEERS D.P.C.**

MARK J. EDSALL, P.E., P.P. (NY, NJ & PA)
MICHAEL W. WEEKS, P.E. (NY, NJ & PA)
MICHAEL J. LAMOREAUX, P.E. (NY, NJ, PA, VT & VA)
MATTHEW J. SICKLER, P.E. (NY & PA)
PATRICK J. HINES

Main Office
33 Airport Center Drive
Suite 202
New Windsor, New York 12553

(845) 567-3100
fax: (845) 567-3232
e-mail: mheny@mhepc.com

Principal Emeritus:
RICHARD D. McGOEY, P.E. (NY & PA)
WILLIAM J. HAUSER, P.E. (NY, NJ & PA)

**TOWN OF NEWBURGH
PLANNING BOARD
TECHNICAL REVIEW COMMENTS**

PROJECT: NPA SITE PLAN
PROJECT NO.: 17-03
PROJECT LOCATION: SECTION 89, BLOCK 1, LOT 80.2 & 80.1
REVIEW DATE: 16 JANUARY 2017
MEETING DATE: 19 JANUARY 2017
PROJECT REPRESENTATIVE: ZEN DESIGN CONSULTANTS

1. Bulk Table for the IB zone appearing on Sheet 1 of 2 should be corrected for IB District Schedule 8D(2) set back requirements.
2. Plans should clearly label each of the lots referred to on notes 1-3 on Sheet 1 of 2. Lots 2a, 2b and 2 are referenced, however Lots 2a and 2b are labeled.
3. Lot appears to be bisected by lands owned by the NY City Department of Environmental Protection. Mike Donnelly's comments regarding access through this parcel should be received. Access to the parcel currently labeled 2b is via an easement across the adjoining lot.
4. Plans should identify the point of access to the proposed development. Currently plans stop short of depicting access onto the State Highway. Bulk tables should include all minimum and maximum required items in Schedule 8.
5. The lot is considered a corner lot in accordance with Section 185-17. Both street frontages are front yards while one of the other shall be deemed a rear yard and side yard. These should be clearly labeled with dimensions provided.
6. Bulk table should be appropriately revised to identify section 185-18C (#4)(b).
7. Gerry Canfield's comments regarding whether the proposed structure must be sprinklered should be received.
8. Several zoning variances appear to be required based on the schematic plans submitted. Front yard set back where 60 feet is required, 50 feet is shown for the majority of the set back and 11.3 feet is shown to the rear.

9. The gas canopy extends into one of the set back areas.
10. The EAF should be revised to identify the threatened or endangered species based on information provided by the NYSDEC. Coordination with the NYSDEC on this should be performed.
11. The design guidelines should be considered when placing the structures and parking. Parking within the front yard set back would require a waiver from the Planning Board.
12. A letter provided from the NYSDOT regarding the site identifies the site as an Office Building. It appears the use has changed since coordination with the DOT. In addition the NYSDOT's comments regarding set backs have no bearings on the Town's Zoning requirements.
13. Future plans should address site grading, drainage, stormwater management, water and sewer, traffic and NYSDOT entrance drives.

Respectfully submitted,

McGoey, Hauser and Edsall
Consulting Engineers, D.P.C.

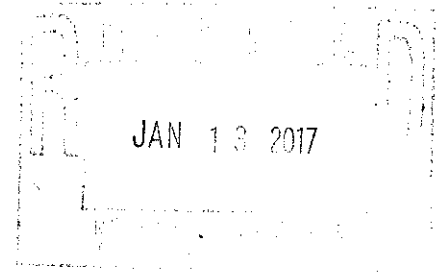


Patrick J. Hirfés
Principal

PJH/kbw

ZEN Consultants, Inc.

6 OLD NORTH PLANK ROAD
NEWBURGH, NY 12550
(845) 629-1567
job# 15-008-PMU



PROJECT NARRATIVE

PROJECT:

NPA Site Plan - Proposed Gas Station and Convenient Store

PROPERTY LOCATION:

Intersection of NYS Route 747 Blvd. & NYS Route 84

SBL:

SBL: 89-1-(80.1 & 80.2)

ZONE:

IB - Industrial Business

AREA:

62,723+/- square feet

DESCRIPTION:

The submitted plan is a proposal for a commercial site plan for a Gas Station and Convenient Store. This site is made up of two separate parcels of land separated by property owned by the NYC Aqueduct. The aqueduct runs north/south along the eastern side of the parcel.

The current site is open and mowed lawn with a gently rolling slope. We have met with the NYSDOT to acquire a small parcel of land at the south western corner of the parcel. They have provided us with a letter stating they have no issues with us reducing our front yard setback as shown on the submitted plans. I have attached the letter for your files.

The lot will be serviced by an individual well and septic systems. Deep tests and percolation tests have been performed and the soils show adequate soil for septic systems. These systems will be designed according to the current Orange County Standards. The new site roadway access will be from an entrance which has been installed by the NYSDOT during their construction project for the exit ramp from NYS Route 84.

The site plan is preliminary at this point and we need to acquire a zoning area variance for this plan to work as shown.



Department of
Transportation

ANDREW M. CUOMO
Governor

MATTHEW J. DRISCOLL
Commissioner

TODD WESTHUIS, P.E.
Regional Director

November 15, 2016

Ken Lytle, P.E.
Zen Design Consultants, Inc.
6 Old North Plank Road, Suite 103
Newburgh, NY 12550

RE: MULHOLAND SITE PLAN - ROUTE 747 BLVD PROJECT
Lands of Newburgh Park Associates, Inc.
SBL: 89-1-19.22, NYS Route 747
Town of Newburgh, Orange County

Dear Mr. Lytle:

The Department is in receipt of your preliminary plan submission, dated 7/7/2016, for the above referenced project. The proposed office building on lands adjacent to I-84 right-of-way will be accessed by an existing driveway on Route 747.

The proposed location of the building is acceptable to the Department as shown on the submitted plan sheet. Please note that the Department will not permit a separate access to this parcel due to its close proximity to the traffic signal and divided highway section. The existing access may need to be upgraded to current NYSDOT standards.

A more detailed plan shall be approved by the Department prior to construction of the proposed office building, including a drainage system, landscape items, access improvement, etc. After receiving Town Planning Board approval, you shall submit more detailed plans for DOT review and approval. After final site plan approval, your client may need to apply for a Highway Work Permit for any work to be performed within the DOT right-of-way.

Please keep us informed of the progress of this project. Please call with any questions or concerns.

Respectfully,

Siby Mary Zachariah-Carbone
NYSDOT Permit Engineer, Res. 8-4
Newburgh, Eastern Orange County

TOWN OF NEWBURGH PLANNING BOARD

**APPLICATION PACKAGE
for
SUBDIVISIONS,
SITE PLANS,
LOT LINE CHANGES
And
SPECIAL EXCEPTION USE PERMITS**

Procedures and Requirements

July 2013

**TOWN OF NEWBURGH PLANNING BOARD
308 GARDNERTOWN ROAD
NEWBURGH, NEW YORK 12550
(845) 564-7804
fax: (845) 564-7802
planningboard@hvc.rr.com**

**TOWN OF NEWBURGH
APPLICATION FOR
SUBDIVISION/SITE PLAN REVIEW**

**RETURN TO: Town of Newburgh Planning Board
308 Gardnertown Road
Newburgh, New York 12550**

DATE RECEIVED: _____ **TOWN FILE NO:** 2017-03
(Application fee returnable with this application)

1. Title of Subdivision/Site Plan (Project name):

NPA SITE PLAN

2. Owner of Lands to be reviewed:

Name NEWBURGH PARK ASSOCIATES
Address 770 ORCHARD DRIVE
WALLKILL, N.Y. 12589
Phone _____

3. Applicant Information (If different than owner):

Name SAME
Address _____

Representative KEN LYTLE
Phone 845-629-1567
Fax _____
Email KLYTLE@ZENDCI.COM

4. Subdivision/Site Plan prepared by:

Name ZEN CONSULTANTS, INC - WILLIAM MOREAU, P.E.
Address 6 OLD NORTH PLANK ROAD
NEWBURGH, NY 12550
Phone/Fax 845-629-1567

5. Location of lands to be reviewed:

N.Y.S. ROUTE 747 BLVD.

6. Zone IB Fire District _____
Acreage 1.43 School District VALLEY CENTRAL

7. Tax Map: Section 89 Block 1 Lot 80.2
89 1 80.1

8. Project Description and Purpose of Review:

Number of existing lots _____ Number of proposed lots _____
Lot line change _____
Site plan review YES
Clearing and grading _____
Other _____

PROVIDE A WRITTEN SINGLE PAGE DESCRIPTION OR NARRATIVE OF THE PROJECT

9. Easements or other restrictions on property:

(Describe generally) NOPE

10. The undersigned hereby requests approval by the Planning Board of the above identified application and scheduling for an appearance on an agenda:

Signature Ken [Signature] Title REP.

Date: 12/20/16

NOTE: If property abuts and has its access to a County or State Highway or road, the following information must be placed on the subdivision map or site plan: entrance location, entrance profile, sizing of pipe (minimum length of pipe to be 24 feet).

The applicant will also be required to submit an additional set of plans, narrative letter and EAF if referral to the Orange County Planning Department is required under General Municipal Law Section 239.

TOWN OF NEWBURGH PLANNING BOARD

NPA SITE PLAN
PROJECT NAME

CHECKLIST FOR MAJOR/MINOR SUBDIVISION AND/OR SITE PLAN

I. The following items shall be submitted with a COMPLETED Planning Board Application Form.

1. Environmental Assessment Form As Required
2. Proxy Statement
3. Application Fees
4. Completed Checklist (Automatic rejection of application without checklist)

II. The following checklist items shall be incorporated on the Subdivision Plat or Site Plan prior to consideration of being placed on the Planning Board Agenda. Non-submittal of the checklist will result in application rejection.

1. Name and address of applicant
2. Name and address of owner (if different from applicant)
3. Subdivision or Site Plan and Location
4. Tax Map Data (Section-Block-Lot)
5. Location map at a scale of 1" = 2,000 ft. or less on a tax map or USCGS map base only with property outlined
6. Zoning table showing what is required in the particular zone and what applicant is proposing. A table is to be provided for each proposed lot
7. Show zoning boundary if any portion of proposed site is within or adjacent to a different zone
8. Date of plan preparation and/or plan revisions
9. Scale the plan is drawn to (Max 1" = 100')
10. North Arrow pointing generally up

11. N/A Surveyor,s Certification
12. N/A Surveyor's seal and signature
13. X Name of adjoining owners
14. N/A Wetlands and 100 ft. buffer zone with an appropriate note regarding D.E.C. or A.C.O.E. requirements
15. N/A Flood plain boundaries
16. X Certified sewerage system design and placement by a Licensed Professional Engineer must be shown on plans in accordance with Local Law #1 1989
17. X Metes and bounds of all lots
18. X Name and width of adjacent streets; the road boundary is to be a minimum of 25 ft. from the physical center line of the street
19. X Show existing or proposed easements (note restrictions)
20. X Right-of-way width and Rights of Access and Utility Placement
21. X Road profile and typical section (minimum traveled surface, excluding shoulders, is to be 18 ft. wide)
22. X Lot area (in sq. ft. for each lot less than 2 acres)
23. X Number of lots including residual lot
24. X Show any existing waterways
25. N/A A note stating a road maintenance agreement is to be filed in the County Clerk's Office where applicable
26. X Applicable note pertaining to owners review and concurrence with plat together with owner's signature
27. X Show any improvements, i.e. drainage systems, water lines, sewer lines, etc.
28. X Show all existing houses, accessory structures, wells and septic systems on and within 200 ft. of the parcel to be subdivided
29. X Show topographical data with 2 or 5 ft. contours on initial submission

30. X Indicate any reference to a previous subdivision, i.e. filed map number, date and previous lot number
31. N/A If a private road, Town Board approval of name is required, and notes on the plan that no town services will be provided and a street sign (per town specs) is to be furnished and installed
32. N/A Number of acres to be cleared or timber harvested
33. TBD Estimated or known cubic yards of material to be excavated and removed from the site
34. TBD Estimated or known cubic yards of fill required
35. TBD The amount of grading expected or known to be required to bring the site to readiness
36. N/A Type and amount of site preparation which falls within the 100 ft. buffer strip of wetlands or within the Critical Environmental Area. Please explain in sq. ft. or cubic yards.
-
-
37. N/A Any amount of site preparation within a 100 year floodplain or any water course on the site. Please explain in sq. ft. or cubic yards.
-
-
38. X List of property owners within 500 feet of all parcels to be developed (see attached statement).

The plan for the proposed subdivision or site has been prepared in accordance with this checklist.

By: William J. Munn
Licensed Professional

Date: 12/20/16

This list is designed to be a guide ONLY. The Town of Newburgh Planning Board may require additional notes or revisions prior to granting approval.

Prepared (insert date):

PROXY

(OWNER) PAT MULHOLAND, DEPOSES AND SAYS THAT HE/SHE
RESIDES AT 770 ORCHARD DRIVE, NEWBURGH
IN THE COUNTY OF ORANGE
AND STATE OF NEW YORK
AND THAT HE/SHE IS THE OWNER IN FEE OF SRL 189-1(90.1+90.2)

WHICH IS THE PREMISES DESCRIBED IN THE FOREGOING
APPLICATION AS DESCRIBED THEREIN TO THE TOWN OF NEWBURGH
PLANNING BOARD AND KEN LYTLE IS AUTHORIZED
TO REPRESENT THEM AT MEETINGS OF SAID BOARD.

DATED: 12/20/16

Patrick Mulholland
OWNERS SIGNATURE

PATRICK MULHOLLAND
OWNERS NAME (printed)

Ken Lytle
WITNESS' SIGNATURE

NAMES OF ADDITIONAL
REPRESENTATIVES

KEN LYTLE
WITNESS' NAME (printed)

PLANNING BOARD DISCLAIMER STATEMENT
TO APPLICANTS

The applicant is advised that the Town of Newburgh Municipal Code, which contains the Town's Zoning Law, is subject to amendment. Submission of an application to this Board does not grant the applicant any right to continued review under the Code's current standards and requirements. It is possible that the applicant will be required to meet changed standards or new Code requirements made while the application is pending.

An approval by this Board does not constitute permission, nor grant any right to connect to or use municipal services such as sewer, water or roads. It is the applicant's responsibility to apply for and obtain the Town of Newburgh and other agency approvals not within this Board's authority to grant.

The applicant hereby acknowledges, consents, and agrees to the above.

12/20/14
DATED

PATRICK MULHOLAND
APPLICANT'S NAME (printed)


APPLICANT'S SIGNATURE

**DISCLOSURE ADDENDUM STATEMENT TO APPLICATION,
PETITION AND REQUEST**

Mindful of the provisions of Section 809 of the General Municipal Law of the State of New York, and of the Penal provisions thereof as well, the undersigned applicant states that no State Officer, Officer or Employee of the Town of Newburgh, or Orange County, has any interest, financial or otherwise, in this application or with, or in the applicant as defined in said Statute, except the following person or persons who is or are represented to have only the following type of interest, in the nature and to the extent hereinafter indicated:

 X NONE

 NAME, ADDRESS, RELATIONSHIP OR INTEREST
(financial or otherwise)

This disclosure addendum statement is annexed to and made a part of the petition, application and request made by the undersigned applicant to the following Board or Officer of the Town of Newburgh.

 X TOWN BOARD
 X PLANNING BOARD
 X ZONING BOARD OF APPEALS
 X ZONING ENFORCEMENT OFFICER
 X BUILDING INSPECTOR
 OTHER

12/20/16
DATED

INDIVIDUAL APPLICANT

PATRICK MULNOLAND
CORPORATE OR PARTNERSHIP APPLICANT

BY: *Patrick Mulnoland*
(Pres.) (Partner) (Vice-Pres.)
(Sec.) (Treas.)

AGRICULTURAL NOTE

(Required to be placed on all plans where property lies within 500 feet of land in active agricultural production or operation)

Property adjacent to lots (1) is in active agricultural operation and production and residents must be aware that such property is protected by New York State "Right to Farm Laws" as regulated by the Department of Agriculture and Markets. From time to time during and prior to the normal growing season land and crops may be sprayed from the ground or by air, manure may be applied, and periodic noise may occur from machinery operation at various times throughout the day. Residents should be aware of this action by the adjacent property owners.

(1) Specific lots adjacent to the active farming area which are impacted shall be inserted in this space.

AGRICULTURAL DATA STATEMENT

(Required pursuant to Agricultural and Markets Law §305-a for applications for site plan approvals, use variances and subdivision approvals that will occur on property within a County Agricultural District containing an active farm operation or on property with boundaries within five hundred feet of an active farm operation located in a County Agricultural District)

Name and address of the applicant: _____

Description of the proposed project: _____

Location of the proposed project: _____

Name(s) and address(es) of any owner(s) of land within a County Agricultural District containing active farming operations and located within five hundred feet of the boundary of the project property: _____

A tax map or other map showing the site of the proposed project relative to the location of the identified farm operations must be attached to this form.


APPLICANT'S SIGNATURE

12/20/16
DATE

ARCHITECTURAL REVIEW

The Town of Newburgh Planning Board had been authorized to act as the Architectural Review Board for all: site plans, projects involving ten or more dwelling units, and any construction that would affect the character of a neighborhood under Section §185-59 of the Town Code (Zoning Law).

In order to perform this task, at some point prior to final approval, the applicant shall provide the Planning Board with elevations of buildings for all sides and a written (separately or on drawings) description of the materials, colors and textures to be used in construction. Plans shall also include topographical information and any screening of portions of the buildings, either existing or proposed.

Samples of the material and colors to be used shall either be submitted to the Planning Board or brought to the meeting at which architectural review will be discussed.

LIST OF ADJACENT PROPERTY OWNERS

Within ten business days following the applicant's first appearance before the Planning Board, the applicant shall forward a letter prepared by the Planning Board or an authorized agent of the Planning Board to all property owners within 500 feet of the land involved in the application, as the names of such owners appear on the last completed assessment roll of the Town, notifying the property owners of the receipt of the plat and application, by first class mail. **The list of property owners shall be provided to the applicant from the Planning Board, through the Town Assessor's office.** The applicant shall thereafter submit a duly executed, notarized affidavit of mailing to the Planning Board. Further appearances before the Planning Board shall be prohibited until an affidavit meeting the requirements has been delivered. In the event a modification to an application proposes an increase in the number of lots or the relocation of a proposed road or drainage basin to a location adjacent to an adjoining property, then a supplementary letter shall be required to be forwarded in the same manner advising of the modification.

**Full Environmental Assessment Form
Part 1 - Project and Setting**

Instructions for Completing Part 1

Part 1 is to be completed by the applicant or project sponsor. Responses become part of the application for approval or funding, are subject to public review, and may be subject to further verification.

Complete Part 1 based on information currently available. If additional research or investigation would be needed to fully respond to any item, please answer as thoroughly as possible based on current information; indicate whether missing information does not exist, or is not reasonably available to the sponsor; and, when possible, generally describe work or studies which would be necessary to update or fully develop that information.

Applicants/sponsors must complete all items in Sections A & B. In Sections C, D & E, most items contain an initial question that must be answered either "Yes" or "No". If the answer to the initial question is "Yes", complete the sub-questions that follow. If the answer to the initial question is "No", proceed to the next question. Section F allows the project sponsor to identify and attach any additional information. Section G requires the name and signature of the project sponsor to verify that the information contained in Part 1 is accurate and complete.

A. Project and Sponsor Information.

Name of Action or Project: NPA Site Plan		
Project Location (describe, and attach a general location map): Int. NYS Route 84 & NYS Route 747 Blvd.		
Brief Description of Proposed Action (include purpose or need): Site plan for a new gas station and convenient store.		
Name of Applicant/Sponsor: Newburgh Park Associates		Telephone: 845-629-1567
		E-Mail: KLYTLE@ZENDCI.COM
Address: 770- Orchard Drive		
City/PO: Wallkill	State: New York	Zip Code: 12589
Project Contact (if not same as sponsor; give name and title/role): Ken Lytle		Telephone: 845-629-1567
		E-Mail: KLYTLE@ZENDCI.COM
Address: 6 Old North Plank Road		
City/PO: Newburgh	State: New York	Zip Code: 12550
Property Owner (if not same as sponsor): same		Telephone:
		E-Mail:
Address:		
City/PO:	State:	Zip Code:

B. Government Approvals

B. Government Approvals, Funding, or Sponsorship. ("Funding" includes grants, loans, tax relief, and any other forms of financial assistance.)		
Government Entity	If Yes: Identify Agency and Approval(s) Required	Application Date (Actual or projected)
a. City Council, Town Board, <input type="checkbox"/> Yes <input checked="" type="checkbox"/> No or Village Board of Trustees		
b. City, Town or Village Planning Board or Commission <input checked="" type="checkbox"/> Yes <input type="checkbox"/> No	Planning Board Approval	
c. City Council, Town or Village Zoning Board of Appeals <input checked="" type="checkbox"/> Yes <input type="checkbox"/> No	Property line setback variance	
d. Other local agencies <input type="checkbox"/> Yes <input checked="" type="checkbox"/> No		
e. County agencies <input type="checkbox"/> Yes <input checked="" type="checkbox"/> No		
f. Regional agencies <input type="checkbox"/> Yes <input checked="" type="checkbox"/> No		
g. State agencies <input checked="" type="checkbox"/> Yes <input type="checkbox"/> No	NYS DOT	
h. Federal agencies <input type="checkbox"/> Yes <input checked="" type="checkbox"/> No		
i. Coastal Resources.		
i. Is the project site within a Coastal Area, or the waterfront area of a Designated Inland Waterway?		<input type="checkbox"/> Yes <input checked="" type="checkbox"/> No
ii. Is the project site located in a community with an approved Local Waterfront Revitalization Program?		<input type="checkbox"/> Yes <input checked="" type="checkbox"/> No
iii. Is the project site within a Coastal Erosion Hazard Area?		<input type="checkbox"/> Yes <input checked="" type="checkbox"/> No

C. Planning and Zoning

C.1. Planning and zoning actions.	
Will administrative or legislative adoption, or amendment of a plan, local law, ordinance, rule or regulation be the only approval(s) which must be granted to enable the proposed action to proceed?	<input type="checkbox"/> Yes <input checked="" type="checkbox"/> No
<ul style="list-style-type: none"> • If Yes, complete sections C, F and G. • If No, proceed to question C.2 and complete all remaining sections and questions in Part 1. 	
C.2. Adopted land use plans.	
a. Do any municipally- adopted (city, town, village or county) comprehensive land use plan(s) include the site where the proposed action would be located?	<input type="checkbox"/> Yes <input checked="" type="checkbox"/> No
If Yes, does the comprehensive plan include specific recommendations for the site where the proposed action would be located?	<input type="checkbox"/> Yes <input type="checkbox"/> No
b. Is the site of the proposed action within any local or regional special planning district (for example: Greenway Brownfield Opportunity Area (BOA); designated State or Federal heritage area; watershed management plan; or other?)	<input checked="" type="checkbox"/> Yes <input type="checkbox"/> No
If Yes, identify the plan(s):	
<u>Overlay District</u> <hr/> <hr/>	
c. Is the proposed action located wholly or partially within an area listed in an adopted municipal open space plan, or an adopted municipal farmland protection plan?	<input type="checkbox"/> Yes <input checked="" type="checkbox"/> No
If Yes, identify the plan(s):	
<hr/> <hr/> <hr/>	

C.3. Zoning

a. Is the site of the proposed action located in a municipality with an adopted zoning law or ordinance. Yes No
 If Yes, what is the zoning classification(s) including any applicable overlay district?
IB with the LHI Overlay District

b. Is the use permitted or allowed by a special or conditional use permit? Yes No

c. Is a zoning change requested as part of the proposed action? Yes No
 If Yes,
 i. What is the proposed new zoning for the site? _____

C.4. Existing community services.

a. In what school district is the project site located? Valley Central School District

b. What police or other public protection forces serve the project site?
Town of Newburgh Police

c. Which fire protection and emergency medical services serve the project site?

d. What parks serve the project site?
n/a

D. Project Details

D.1. Proposed and Potential Development

a. What is the general nature of the proposed action (e.g., residential, industrial, commercial, recreational; if mixed, include all components)? Commercial

b. a. Total acreage of the site of the proposed action? _____ acres
 b. Total acreage to be physically disturbed? _____ acres
 c. Total acreage (project site and any contiguous properties) owned or controlled by the applicant or project sponsor? 1.44 acres

c. Is the proposed action an expansion of an existing project or use? Yes No
 i. If Yes, what is the approximate percentage of the proposed expansion and identify the units (e.g., acres, miles, housing units, square feet)? % _____ Units: _____

d. Is the proposed action a subdivision, or does it include a subdivision? Yes No
 If Yes,
 i. Purpose or type of subdivision? (e.g., residential, industrial, commercial; if mixed, specify types) _____
 ii. Is a cluster/conservation layout proposed? Yes No
 iii. Number of lots proposed? _____
 iv. Minimum and maximum proposed lot sizes? Minimum _____ Maximum _____

e. Will proposed action be constructed in multiple phases? Yes No
 i. If No, anticipated period of construction: 12 months
 ii. If Yes:
 • Total number of phases anticipated _____
 • Anticipated commencement date of phase 1 (including demolition) _____ month _____ year
 • Anticipated completion date of final phase _____ month _____ year
 • Generally describe connections or relationships among phases, including any contingencies where progress of one phase may determine timing or duration of future phases: _____

f. Does the project include new residential uses? Yes No
 If Yes, show numbers of units proposed.

	<u>One Family</u>	<u>Two Family</u>	<u>Three Family</u>	<u>Multiple Family (four or more)</u>
Initial Phase	_____	_____	_____	_____
At completion of all phases	_____	_____	_____	_____

g. Does the proposed action include new non-residential construction (including expansions)? Yes No
 If Yes,

i. Total number of structures 1

ii. Dimensions (in feet) of largest proposed structure: tbd height; 70 width; and 40 length

iii. Approximate extent of building space to be heated or cooled: 2800 square feet

h. Does the proposed action include construction or other activities that will result in the impoundment of any liquids, such as creation of a water supply, reservoir, pond, lake, waste lagoon or other storage? Yes No
 If Yes,

i. Purpose of the impoundment: _____

ii. If a water impoundment, the principal source of the water: Ground water Surface water streams Other specify: _____

iii. If other than water, identify the type of impounded/contained liquids and their source. _____

iv. Approximate size of the proposed impoundment. Volume: _____ million gallons; surface area: _____ acres

v. Dimensions of the proposed dam or impounding structure: _____ height; _____ length

vi. Construction method/materials for the proposed dam or impounding structure (e.g., earth fill, rock, wood, concrete): _____

D.2. Project Operations

a. Does the proposed action include any excavation, mining, or dredging, during construction, operations, or both? (Not including general site preparation, grading or installation of utilities or foundations where all excavated materials will remain onsite) Yes No
 If Yes:

i. What is the purpose of the excavation or dredging? _____

ii. How much material (including rock, earth, sediments, etc.) is proposed to be removed from the site?

- Volume (specify tons or cubic yards): _____
- Over what duration of time? _____

iii. Describe nature and characteristics of materials to be excavated or dredged, and plans to use, manage or dispose of them. _____

iv. Will there be onsite dewatering or processing of excavated materials? Yes No
 If yes, describe. _____

v. What is the total area to be dredged or excavated? _____ acres

vi. What is the maximum area to be worked at any one time? _____ acres

vii. What would be the maximum depth of excavation or dredging? _____ feet

viii. Will the excavation require blasting? Yes No

ix. Summarize site reclamation goals and plan: _____

b. Would the proposed action cause or result in alteration of, increase or decrease in size of, or encroachment into any existing wetland, waterbody, shoreline, beach or adjacent area? Yes No
 If Yes:

i. Identify the wetland or waterbody which would be affected (by name, water index number, wetland map number or geographic description): _____

ii. Describe how the proposed action would affect that waterbody or wetland, e.g. excavation, fill, placement of structures, or alteration of channels, banks and shorelines. Indicate extent of activities, alterations and additions in square feet or acres:

iii. Will proposed action cause or result in disturbance to bottom sediments? Yes No

If Yes, describe: _____

iv. Will proposed action cause or result in the destruction or removal of aquatic vegetation? Yes No

If Yes:

- acres of aquatic vegetation proposed to be removed: _____
- expected acreage of aquatic vegetation remaining after project completion: _____
- purpose of proposed removal (e.g. beach clearing, invasive species control, boat access): _____

- proposed method of plant removal: _____
- if chemical/herbicide treatment will be used, specify product(s): _____

v. Describe any proposed reclamation/mitigation following disturbance: _____

c. Will the proposed action use, or create a new demand for water? Yes No

If Yes:

i. Total anticipated water usage/demand per day: _____ tbd gallons/day

ii. Will the proposed action obtain water from an existing public water supply? Yes No

If Yes:

- Name of district or service area: _____
- Does the existing public water supply have capacity to serve the proposal? Yes No
- Is the project site in the existing district? Yes No
- Is expansion of the district needed? Yes No
- Do existing lines serve the project site? Yes No

iii. Will line extension within an existing district be necessary to supply the project? Yes No

If Yes:

• Describe extensions or capacity expansions proposed to serve this project: _____

• Source(s) of supply for the district: _____

iv. Is a new water supply district or service area proposed to be formed to serve the project site? Yes No

If Yes:

- Applicant/sponsor for new district: _____
- Date application submitted or anticipated: _____
- Proposed source(s) of supply for new district: _____

v. If a public water supply will not be used, describe plans to provide water supply for the project: _____

vi. If water supply will be from wells (public or private), maximum pumping capacity: _____ tbd gallons/minute.

d. Will the proposed action generate liquid wastes? Yes No

If Yes:

i. Total anticipated liquid waste generation per day: _____ gallons/day

ii. Nature of liquid wastes to be generated (e.g., sanitary wastewater, industrial; if combination, describe all components and approximate volumes or proportions of each): _____

iii. Will the proposed action use any existing public wastewater treatment facilities? Yes No

If Yes:

- Name of wastewater treatment plant to be used: _____
- Name of district: _____
- Does the existing wastewater treatment plant have capacity to serve the project? Yes No
- Is the project site in the existing district? Yes No
- Is expansion of the district needed? Yes No

- Do existing sewer lines serve the project site? Yes No
- Will line extension within an existing district be necessary to serve the project? Yes No

 If Yes:

- Describe extensions or capacity expansions proposed to serve this project: _____

iv. Will a new wastewater (sewage) treatment district be formed to serve the project site? Yes No
 If Yes:

- Applicant/sponsor for new district: _____
- Date application submitted or anticipated: _____
- What is the receiving water for the wastewater discharge? _____

v. If public facilities will not be used, describe plans to provide wastewater treatment for the project, including specifying proposed receiving water (name and classification if surface discharge, or describe subsurface disposal plans):

vi. Describe any plans or designs to capture, recycle or reuse liquid waste: _____

e. Will the proposed action disturb more than one acre and create stormwater runoff, either from new point sources (i.e. ditches, pipes, swales, curbs, gutters or other concentrated flows of stormwater) or non-point source (i.e. sheet flow) during construction or post construction? Yes No
 If Yes:

- How much impervious surface will the project create in relation to total size of project parcel?
 _____ Square feet or _____ acres (impervious surface)
 _____ Square feet or _____ acres (parcel size)
- Describe types of new point sources. _____
- Where will the stormwater runoff be directed (i.e. on-site stormwater management facility/structures, adjacent properties, groundwater, on-site surface water or off-site surface waters)?

 - If to surface waters, identify receiving water bodies or wetlands: _____
 - Will stormwater runoff flow to adjacent properties? Yes No

iv. Does proposed plan minimize impervious surfaces, use pervious materials or collect and re-use stormwater? Yes No

f. Does the proposed action include, or will it use on-site, one or more sources of air emissions, including fuel combustion, waste incineration, or other processes or operations? Yes No
 If Yes, identify:

- Mobile sources during project operations (e.g., heavy equipment, fleet or delivery vehicles)

- Stationary sources during construction (e.g., power generation, structural heating, batch plant, crushers)

- Stationary sources during operations (e.g., process emissions, large boilers, electric generation)

g. Will any air emission sources named in D.2.f (above), require a NY State Air Registration, Air Facility Permit, or Federal Clean Air Act Title IV or Title V Permit? Yes No
 If Yes:

- Is the project site located in an Air quality non-attainment area? (Area routinely or periodically fails to meet ambient air quality standards for all or some parts of the year) Yes No
- In addition to emissions as calculated in the application, the project will generate:
 - _____ Tons/year (short tons) of Carbon Dioxide (CO₂)
 - _____ Tons/year (short tons) of Nitrous Oxide (N₂O)
 - _____ Tons/year (short tons) of Perfluorocarbons (PFCs)
 - _____ Tons/year (short tons) of Sulfur Hexafluoride (SF₆)
 - _____ Tons/year (short tons) of Carbon Dioxide equivalent of Hydrofluorocarbons (HFCs)
 - _____ Tons/year (short tons) of Hazardous Air Pollutants (HAPs)

h. Will the proposed action generate or emit methane (including, but not limited to, sewage treatment plants, landfills, composting facilities)? Yes No

If Yes:

i. Estimate methane generation in tons/year (metric): _____

ii. Describe any methane capture, control or elimination measures included in project design (e.g., combustion to generate heat or electricity, flaring): _____

i. Will the proposed action result in the release of air pollutants from open-air operations or processes, such as quarry or landfill operations? Yes No

If Yes: Describe operations and nature of emissions (e.g., diesel exhaust, rock particulates/dust): _____

j. Will the proposed action result in a substantial increase in traffic above present levels or generate substantial new demand for transportation facilities or services? Yes No

If Yes:

i. When is the peak traffic expected (Check all that apply): Morning Evening Weekend
 Randomly between hours of _____ to _____.

ii. For commercial activities only, projected number of semi-trailer truck trips/day: _____

iii. Parking spaces: Existing _____ Proposed _____ Net increase/decrease _____

iv. Does the proposed action include any shared use parking? Yes No

v. If the proposed action includes any modification of existing roads, creation of new roads or change in existing access, describe: _____

vi. Are public/private transportation service(s) or facilities available within 1/2 mile of the proposed site? Yes No

vii. Will the proposed action include access to public transportation or accommodations for use of hybrid, electric or other alternative fueled vehicles? Yes No

viii. Will the proposed action include plans for pedestrian or bicycle accommodations for connections to existing pedestrian or bicycle routes? Yes No

k. Will the proposed action (for commercial or industrial projects only) generate new or additional demand for energy? Yes No

If Yes:

i. Estimate annual electricity demand during operation of the proposed action: _____
tbd

ii. Anticipated sources/suppliers of electricity for the project (e.g., on-site combustion, on-site renewable, via grid/local utility, or other):
via grid / local utility

iii. Will the proposed action require a new, or an upgrade to, an existing substation? Yes No

l. Hours of operation. Answer all items which apply.

<p>i. During Construction:</p> <ul style="list-style-type: none"> • Monday - Friday: _____ tbd • Saturday: _____ • Sunday: _____ • Holidays: _____ 	<p>ii. During Operations:</p> <ul style="list-style-type: none"> • Monday - Friday: _____ tbd • Saturday: _____ • Sunday: _____ • Holidays: _____
--	---

<p>m. Will the proposed action produce noise that will exceed existing ambient noise levels during construction, operation, or both? <input type="checkbox"/> Yes <input checked="" type="checkbox"/> No</p> <p>If yes:</p> <p>i. Provide details including sources, time of day and duration:</p> <p>_____</p> <p>_____</p>	
<p>ii. Will proposed action remove existing natural barriers that could act as a noise barrier or screen? <input type="checkbox"/> Yes <input checked="" type="checkbox"/> No</p> <p>Describe: _____</p> <p>_____</p>	
<p>n. Will the proposed action have outdoor lighting? <input checked="" type="checkbox"/> Yes <input type="checkbox"/> No</p> <p>If yes:</p> <p>i. Describe source(s), location(s), height of fixture(s), direction/aim, and proximity to nearest occupied structures:</p> <p> tbd</p>	
<p>ii. Will proposed action remove existing natural barriers that could act as a light barrier or screen? <input type="checkbox"/> Yes <input checked="" type="checkbox"/> No</p> <p>Describe: _____</p> <p>_____</p>	
<p>o. Does the proposed action have the potential to produce odors for more than one hour per day? <input type="checkbox"/> Yes <input checked="" type="checkbox"/> No</p> <p>If Yes, describe possible sources, potential frequency and duration of odor emissions, and proximity to nearest occupied structures: _____</p> <p>_____</p> <p>_____</p>	
<p>p. Will the proposed action include any bulk storage of petroleum (combined capacity of over 1,100 gallons) or chemical products 185 gallons in above ground storage or any amount in underground storage? <input type="checkbox"/> Yes <input checked="" type="checkbox"/> No</p> <p>If Yes:</p> <p>i. Product(s) to be stored _____</p> <p>ii. Volume(s) _____ per unit time _____ (e.g., month, year)</p> <p>iii. Generally describe proposed storage facilities: _____</p> <p>_____</p>	
<p>q. Will the proposed action (commercial, industrial and recreational projects only) use pesticides (i.e., herbicides, insecticides) during construction or operation? <input type="checkbox"/> Yes <input checked="" type="checkbox"/> No</p> <p>If Yes:</p> <p>i. Describe proposed treatment(s):</p> <p>_____</p> <p>_____</p> <p>_____</p>	
<p>ii. Will the proposed action use Integrated Pest Management Practices? <input type="checkbox"/> Yes <input checked="" type="checkbox"/> No</p>	
<p>r. Will the proposed action (commercial or industrial projects only) involve or require the management or disposal of solid waste (excluding hazardous materials)? <input checked="" type="checkbox"/> Yes <input type="checkbox"/> No</p> <p>If Yes:</p> <p>i. Describe any solid waste(s) to be generated during construction or operation of the facility:</p> <ul style="list-style-type: none"> • Construction: _____ tons per _____ (unit of time) • Operation : _____ tons per _____ (unit of time) <p>ii. Describe any proposals for on-site minimization, recycling or reuse of materials to avoid disposal as solid waste:</p> <ul style="list-style-type: none"> • Construction: _____ • Operation: _____ <p>iii. Proposed disposal methods/facilities for solid waste generated on-site:</p> <ul style="list-style-type: none"> • Construction: _____ • Operation: _____ 	

s. Does the proposed action include construction or modification of a solid waste management facility? Yes No
 If Yes:
 i. Type of management or handling of waste proposed for the site (e.g., recycling or transfer station, composting, landfill, or other disposal activities): _____
 ii. Anticipated rate of disposal/processing:
 • _____ Tons/month, if transfer or other non-combustion/thermal treatment, or
 • _____ Tons/hour, if combustion or thermal treatment
 iii. If landfill, anticipated site life: _____ years

t. Will proposed action at the site involve the commercial generation, treatment, storage, or disposal of hazardous waste? Yes No
 If Yes:
 i. Name(s) of all hazardous wastes or constituents to be generated, handled or managed at facility: _____

 ii. Generally describe processes or activities involving hazardous wastes or constituents: _____

 iii. Specify amount to be handled or generated _____ tons/month
 iv. Describe any proposals for on-site minimization, recycling or reuse of hazardous constituents: _____

 v. Will any hazardous wastes be disposed at an existing offsite hazardous waste facility? Yes No
 If Yes: provide name and location of facility: _____
 If No: describe proposed management of any hazardous wastes which will not be sent to a hazardous waste facility:

E. Site and Setting of Proposed Action

E.1. Land uses on and surrounding the project site

a. Existing land uses.
 i. Check all uses that occur on, adjoining and near the project site.
 Urban Industrial Commercial Residential (suburban) Rural (non-farm)
 Forest Agriculture Aquatic Other (specify): _____
 ii. If mix of uses, generally describe:

b. Land uses and covertsypes on the project site.

Land use or Covertypes	Current Acreage	Acreage After Project Completion	Change (Acres +/-)
• Roads, buildings, and other paved or impervious surfaces	0.11	0.46	+0.35
• Forested	0	0	0
• Meadows, grasslands or brushlands (non-agricultural, including abandoned agricultural)	1.33	0.98	-0.35
• Agricultural (includes active orchards, field, greenhouse etc.)	0	0	0
• Surface water features (lakes, ponds, streams, rivers, etc.)	0	0	0
• Wetlands (freshwater or tidal)	0	0	0
• Non-vegetated (bare rock, earth or fill)	0	0	0
• Other Describe: _____	0	0	0

c. Is the project site presently used by members of the community for public recreation? Yes No
 i. If Yes: explain: _____

d. Are there any facilities serving children, the elderly, people with disabilities (e.g., schools, hospitals, licensed day care centers, or group homes) within 1500 feet of the project site? Yes No
 If Yes,
 i. Identify Facilities: _____

e. Does the project site contain an existing dam? Yes No
 If Yes:
 i. Dimensions of the dam and impoundment:
 • Dam height: _____ feet
 • Dam length: _____ feet
 • Surface area: _____ acres
 • Volume impounded: _____ gallons OR acre-feet
 ii. Dam's existing hazard classification: _____
 iii. Provide date and summarize results of last inspection: _____

f. Has the project site ever been used as a municipal, commercial or industrial solid waste management facility, or does the project site adjoin property which is now, or was at one time, used as a solid waste management facility? Yes No
 If Yes:
 i. Has the facility been formally closed? Yes No
 • If yes, cite sources/documentation: _____
 ii. Describe the location of the project site relative to the boundaries of the solid waste management facility: _____

 iii. Describe any development constraints due to the prior solid waste activities: _____

g. Have hazardous wastes been generated, treated and/or disposed of at the site, or does the project site adjoin property which is now or was at one time used to commercially treat, store and/or dispose of hazardous waste? Yes No
 If Yes:
 i. Describe waste(s) handled and waste management activities, including approximate time when activities occurred: _____

h. Potential contamination history. Has there been a reported spill at the proposed project site, or have any remedial actions been conducted at or adjacent to the proposed site? Yes No
 If Yes:
 i. Is any portion of the site listed on the NYSDEC Spills Incidents database or Environmental Site Remediation database? Check all that apply: Yes No
 Yes – Spills Incidents database Provide DEC ID number(s): _____
 Yes – Environmental Site Remediation database Provide DEC ID number(s): _____
 Neither database
 ii. If site has been subject of RCRA corrective activities, describe control measures: _____

 iii. Is the project within 2000 feet of any site in the NYSDEC Environmental Site Remediation database? Yes No
 If yes, provide DEC ID number(s): _____
 iv. If yes to (i), (ii) or (iii) above, describe current status of site(s): _____

v. Is the project site subject to an institutional control limiting property uses? Yes No

- If yes, DEC site ID number: _____
- Describe the type of institutional control (e.g., deed restriction or easement): _____
- Describe any use limitations: _____
- Describe any engineering controls: _____
- Will the project affect the institutional or engineering controls in place? Yes No
- Explain: _____

E.2. Natural Resources On or Near Project Site

a. What is the average depth to bedrock on the project site? _____ tbd feet

b. Are there bedrock outcroppings on the project site? Yes No
 If Yes, what proportion of the site is comprised of bedrock outcroppings? _____ %

c. Predominant soil type(s) present on project site: clay loam- 100% based on deep test _____ %
 _____ %
 _____ %

d. What is the average depth to the water table on the project site? Average: _____ tbd feet

e. Drainage status of project site soils: Well Drained: _____ % of site
 Moderately Well Drained: 10 % of site
 Poorly Drained: 90 % of site

f. Approximate proportion of proposed action site with slopes: 0-10%: _____ % of site
 10-15%: _____ % of site
 15% or greater: _____ % of site

g. Are there any unique geologic features on the project site? Yes No
 If Yes, describe: _____

h. Surface water features.

i. Does any portion of the project site contain wetlands or other waterbodies (including streams, rivers, ponds or lakes)? Yes No

ii. Do any wetlands or other waterbodies adjoin the project site? Yes No

If Yes to either *i* or *ii*, continue. If No, skip to E.2.i.

iii. Are any of the wetlands or waterbodies within or adjoining the project site regulated by any federal, state or local agency? Yes No

iv. For each identified regulated wetland and waterbody on the project site, provide the following information:

- Streams: Name _____ Classification _____
- Lakes or Ponds: Name _____ Classification _____
- Wetlands: Name _____ Approximate Size _____
- Wetland No. (if regulated by DEC) _____

v. Are any of the above water bodies listed in the most recent compilation of NYS water quality-impaired waterbodies? Yes No
 If yes, name of impaired water body/bodies and basis for listing as impaired: _____

i. Is the project site in a designated Floodway? Yes No

j. Is the project site in the 100 year Floodplain? Yes No

k. Is the project site in the 500 year Floodplain? Yes No

l. Is the project site located over, or immediately adjoining, a primary, principal or sole source aquifer? Yes No
 If Yes:
 i. Name of aquifer: _____

m. Identify the predominant wildlife species that occupy or use the project site: _____ _____ _____	
n. Does the project site contain a designated significant natural community? <input type="checkbox"/> Yes <input checked="" type="checkbox"/> No If Yes:	
i. Describe the habitat/community (composition, function, and basis for designation): _____ _____	
ii. Source(s) of description or evaluation: _____	
iii. Extent of community/habitat:	
<ul style="list-style-type: none"> • Currently: _____ acres • Following completion of project as proposed: _____ acres • Gain or loss (indicate + or -): _____ acres 	
o. Does project site contain any species of plant or animal that is listed by the federal government or NYS as endangered or threatened, or does it contain any areas identified as habitat for an endangered or threatened species? <input checked="" type="checkbox"/> Yes <input type="checkbox"/> No	
p. Does the project site contain any species of plant or animal that is listed by NYS as rare, or as a species of special concern? <input type="checkbox"/> Yes <input checked="" type="checkbox"/> No	
q. Is the project site or adjoining area currently used for hunting, trapping, fishing or shell fishing? <input type="checkbox"/> Yes <input checked="" type="checkbox"/> No If yes, give a brief description of how the proposed action may affect that use: _____ _____	
E.3. Designated Public Resources On or Near Project Site	
a. Is the project site, or any portion of it, located in a designated agricultural district certified pursuant to Agriculture and Markets Law, Article 25-AA, Section 303 and 304? <input type="checkbox"/> Yes <input checked="" type="checkbox"/> No If Yes, provide county plus district name/number: _____	
b. Are agricultural lands consisting of highly productive soils present? <input type="checkbox"/> Yes <input type="checkbox"/> No i. If Yes: acreage(s) on project site? _____ ii. Source(s) of soil rating(s): _____	
c. Does the project site contain all or part of, or is it substantially contiguous to, a registered National Natural Landmark? <input type="checkbox"/> Yes <input checked="" type="checkbox"/> No If Yes:	
i. Nature of the natural landmark: <input type="checkbox"/> Biological Community <input type="checkbox"/> Geological Feature	
ii. Provide brief description of landmark, including values behind designation and approximate size/extent: _____ _____	
d. Is the project site located in or does it adjoin a state listed Critical Environmental Area? <input type="checkbox"/> Yes <input checked="" type="checkbox"/> No If Yes:	
i. CEA name: _____	
ii. Basis for designation: _____	
iii. Designating agency and date: _____	

e. Does the project site contain, or is it substantially contiguous to, a building, archaeological site, or district which is listed on, or has been nominated by the NYS Board of Historic Preservation for inclusion on, the State or National Register of Historic Places?	<input type="checkbox"/> Yes <input checked="" type="checkbox"/> No
If Yes:	
<i>i.</i> Nature of historic/archaeological resource: <input type="checkbox"/> Archaeological Site <input type="checkbox"/> Historic Building or District	
<i>ii.</i> Name: _____	
<i>iii.</i> Brief description of attributes on which listing is based: _____	
f. Is the project site, or any portion of it, located in or adjacent to an area designated as sensitive for archaeological sites on the NY State Historic Preservation Office (SHPO) archaeological site inventory?	<input type="checkbox"/> Yes <input checked="" type="checkbox"/> No
g. Have additional archaeological or historic site(s) or resources been identified on the project site?	
If Yes:	
<i>i.</i> Describe possible resource(s): _____	
<i>ii.</i> Basis for identification: _____	
h. Is the project site within five miles of any officially designated and publicly accessible federal, state, or local scenic or aesthetic resource?	<input type="checkbox"/> Yes <input checked="" type="checkbox"/> No
If Yes:	
<i>i.</i> Identify resource: _____	
<i>ii.</i> Nature of, or basis for, designation (e.g., established highway overlook, state or local park, state historic trail or scenic byway, etc.): _____	
<i>iii.</i> Distance between project and resource: _____ miles.	
i. Is the project site located within a designated river corridor under the Wild, Scenic and Recreational Rivers Program 6 NYCRR 666?	<input type="checkbox"/> Yes <input checked="" type="checkbox"/> No
If Yes:	
<i>i.</i> Identify the name of the river and its designation: _____	
<i>ii.</i> Is the activity consistent with development restrictions contained in 6NYCRR Part 666?	
	<input type="checkbox"/> Yes <input type="checkbox"/> No

F. Additional Information

Attach any additional information which may be needed to clarify your project.

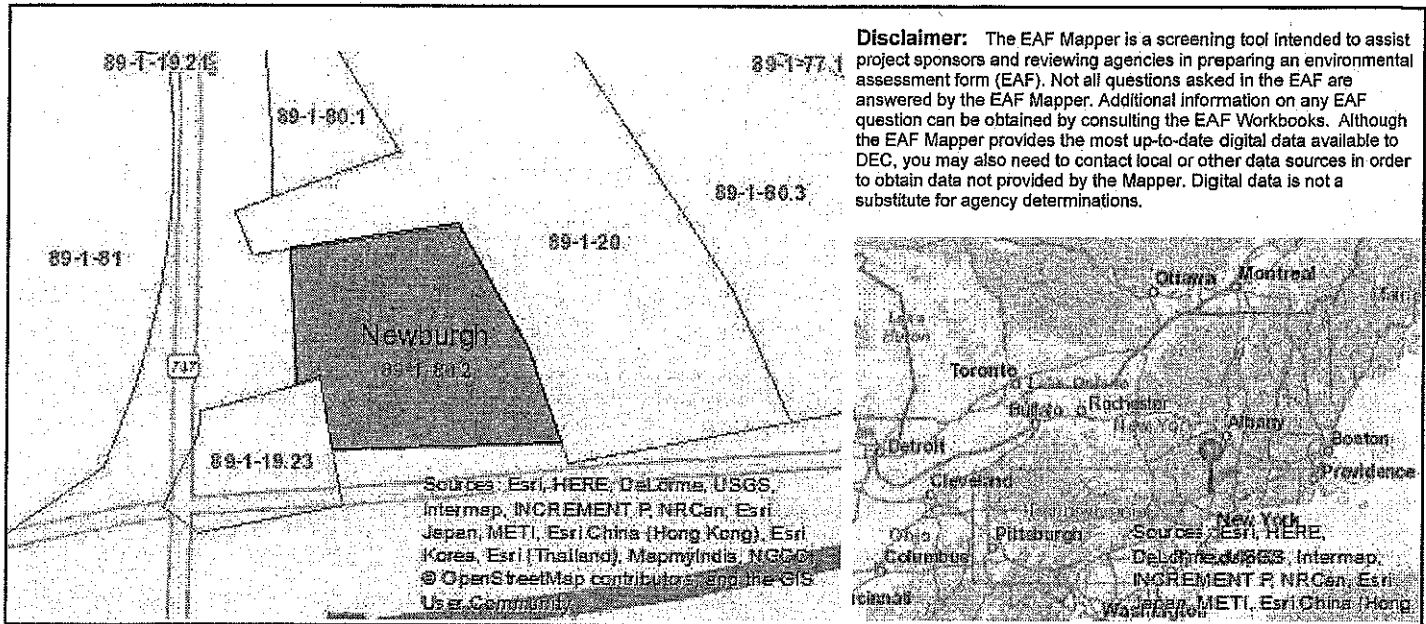
If you have identified any adverse impacts which could be associated with your proposal, please describe those impacts plus any measures which you propose to avoid or minimize them.

G. Verification

I certify that the information provided is true to the best of my knowledge.

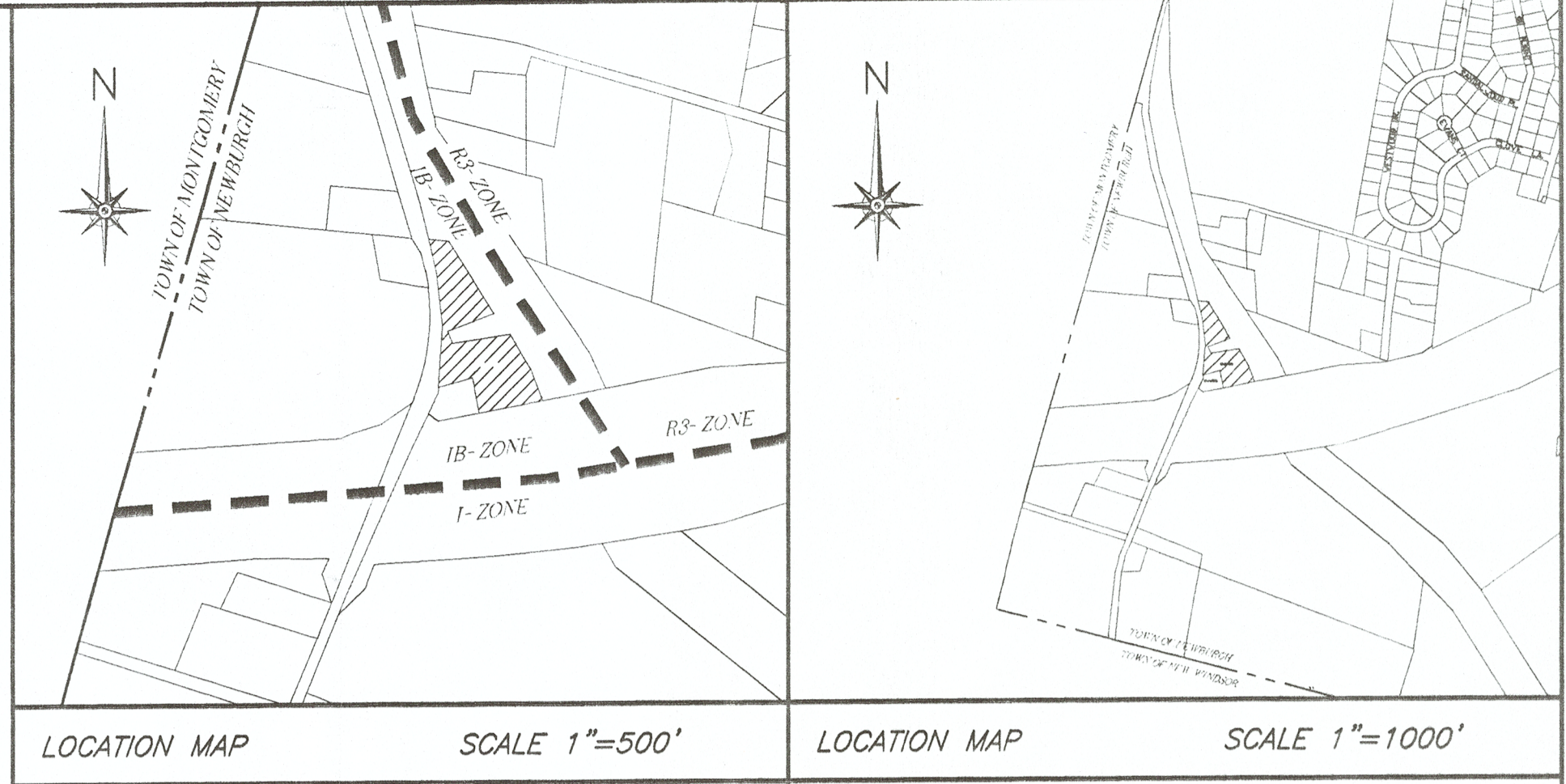
Applicant/Sponsor Name Ken Lytle Date _____

Signature _____ Title _____



B.i.i [Coastal or Waterfront Area]	No
B.i.ii [Local Waterfront Revitalization Area]	No
C.2.b. [Special Planning District]	Digital mapping data are not available or are incomplete. Refer to EAF Workbook.
E.1.h [DEC Spills or Remediation Site - Potential Contamination History]	Digital mapping data are not available or are incomplete. Refer to EAF Workbook.
E.1.h.i [DEC Spills or Remediation Site - Listed]	Digital mapping data are not available or are incomplete. Refer to EAF Workbook.
E.1.h.i [DEC Spills or Remediation Site - Environmental Site Remediation Database]	Digital mapping data are not available or are incomplete. Refer to EAF Workbook.
E.1.h.iii [Within 2,000' of DEC Remediation Site]	No
E.2.g [Unique Geologic Features]	No
E.2.h.i [Surface Water Features]	No
E.2.h.ii [Surface Water Features]	Yes
E.2.h.iii [Surface Water Features]	Yes - Digital mapping information on local and federal wetlands and waterbodies is known to be incomplete. Refer to EAF Workbook.
E.2.h.v [Impaired Water Bodies]	No
E.2.i. [Floodway]	No
E.2.j. [100 Year Floodplain]	Yes
E.2.k. [500 Year Floodplain]	No
E.2.l. [Aquifers]	No
E.2.n. [Natural Communities]	No
E.2.o. [Endangered or Threatened Species]	Yes
E.2.p. [Rare Plants or Animals]	No

E.3.a. [Agricultural District]	No
E.3.c. [National Natural Landmark]	No
E.3.d [Critical Environmental Area]	No
E.3.e. [National Register of Historic Places]	Digital mapping data are not available or are incomplete. Refer to EAF Workbook.
E.3.f. [Archeological Sites]	No
E.3.i. [Designated River Corridor]	No



OWNER
 NEWBURGH PARK ASSOCIATES, INC.
 561 S. DRURY LANE
 ROCK TAVERN, N.Y. 12575



SBL: 89-1-19.22
TOWN OF NEWBURGH
ZONE: IB, INDUSTRIAL BUSINESS
TOTAL AREA EXISTING: 62,723±SF

	REQUIRED	PROPOSED
MINIMUM LOT AREA (sf)	40,000	62,723
MINIMUM YARDS		
FRONT	60'	60'
REAR	60'	60'
SIDE (ONE)	30'	30'
SIDE (BOTH)	80'	80'
MINIMUM LOT WIDTH	150'	150'
MINIMUM LOT DEPTH	150'	150'

- NOTES:**
- UNAUTHORIZED ALTERATION OR ADDITION TO A SURVEY MAP BEARING A LICENSED LAND SURVEYOR'S SEAL IS A VIOLATION OF SECTION 7209, SUBDIVISION 2, OF THE N.Y. STATE EDUCATION LAW.
 - ONLY COPIES FROM THE ORIGINAL OF THIS SURVEY MARKED WITH AN ORIGINAL OF THE LAND SURVEYOR'S EMBOSSED OR INK SEAL SHALL BE CONSIDERED TO BE VALID COPIES.
 - CERTIFICATIONS SHALL RUN ONLY TO THE PERSON FOR WHOM THE SURVEY IS PREPARED, AND ON HIS BEHALF TO THE TITLE CO., GOVERNMENTAL AGENCY, AND LENDING INSTITUTION LISTED HEREON, AND TO THE ASSIGNEES OF THE LENDING INSTITUTION. CERTIFICATIONS ARE NOT TRANSFERABLE TO ADDITIONAL INSTITUTIONS OR SUBSEQUENT OWNERS.
 - UNDERGROUND IMPROVEMENTS OR ENCROACHMENTS, IF ANY, ARE NOT SHOWN HEREON.
 - SURVEYED IN ACCORDANCE WITH DEEDS, FILED MAPS, AND PHYSICAL MONUMENTATION FOUND AT THE TIME OF SURVEY.
 - SUBJECT TO ANY STATE OF FACTS THAT MAY BE REVEALED BY AN UP TO DATE TITLE ABSTRACT REPORT.

- FILED MAP REFERENCES:**
- MAP ENTITLED "ISTVAN MOLNAR & ELIZABETH MOLNAR" FILED IN THE ORANGE COUNTY CLERK'S OFFICE AS MAP # 8765 ON 03/17/1988.
 - MAP ENTITLED "CATHERINE WEDDELL" FILED IN THE ORANGE COUNTY CLERK'S OFFICE AS MAP # 9591 ON 09/10/1989.
 - MAP ENTITLED "THOMAS D. WEDDELL" FILED IN THE ORANGE COUNTY CLERK'S OFFICE AS MAP # 5261 ON 05/15/1980.
 - MAP ENTITLED "JAMES & SYLVIA BITTLES" FILED IN THE ORANGE COUNTY CLERK'S OFFICE AS MAP # 80-98 ON 05/04/1998.

- HIGHWAY TAKING REFERENCES:**
- HIGHWAY TAKING MAP FOR RECONSTRUCTION OF INTERSTATE ROUTE 503, MAP 777 - PARCEL 1158
 - HIGHWAY TAKING MAP FOR CONSTRUCTION OF INTERSTATE ROUTE 503-1-6.2, MAP 678 - PARCELS 1051, 1052, 1053, 1054 & 1055.
 - HIGHWAY TAKING MAPS FOR THE RECONSTRUCTION OF DRURY LANE (CO. ROAD NO. 54) MAP 27- PARCELS 27 & 28.
 - ORANGE COUNTY TAKINGS FOR DRURY LANE, L.1244, P.233
 - HIGHWAY TAKING MAPS FOR THE RECONSTRUCTION OF DRURY LANE MAP 38, PARCEL 39 & 40.

- EASEMENT & LEASE REFERENCES:**
- TEMPORARY EASEMENT MAP 28- PARCEL 29
 - AT&T EASEMENT, L.1047, P.377
 - ORANGE COUNTY DRAINAGE EASEMENT, L.2476, P.149
 - OIL & GAS LEASES, L.2057, P.1134 & L.2216, P.570

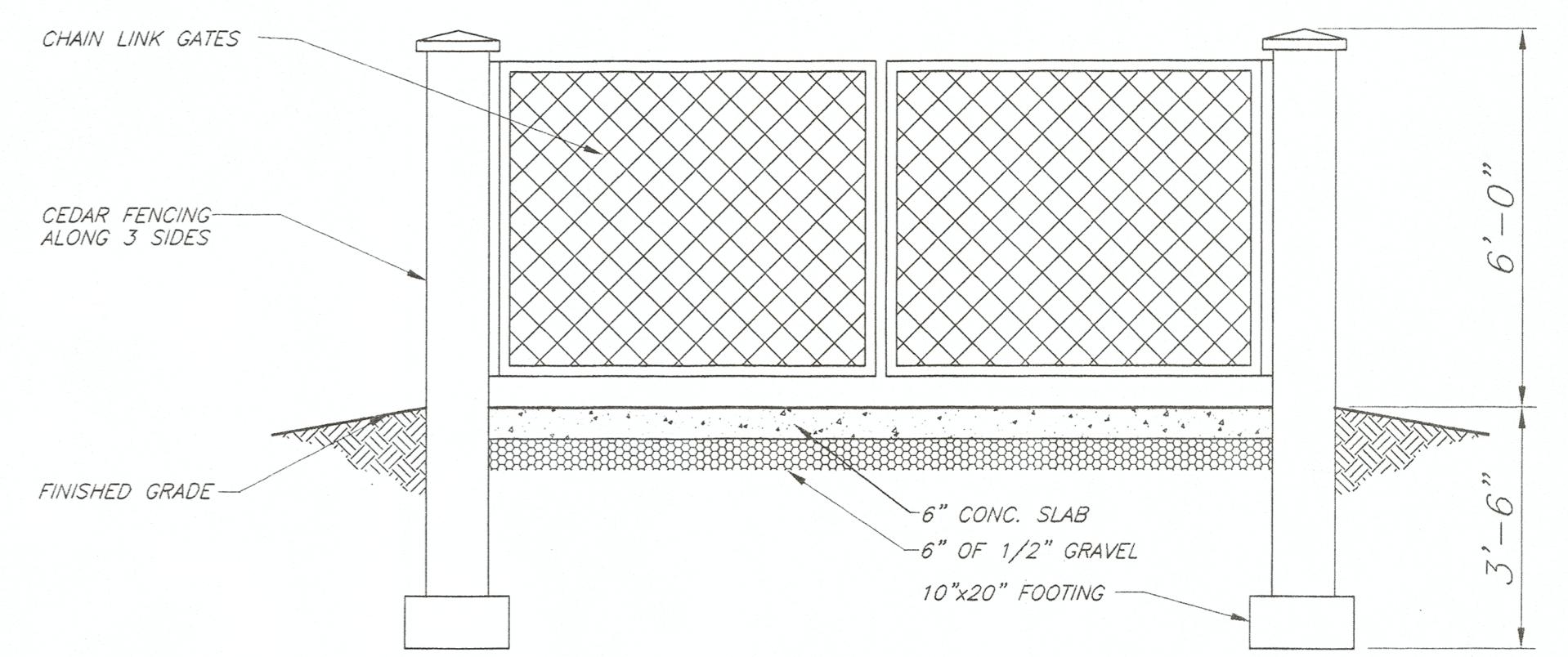
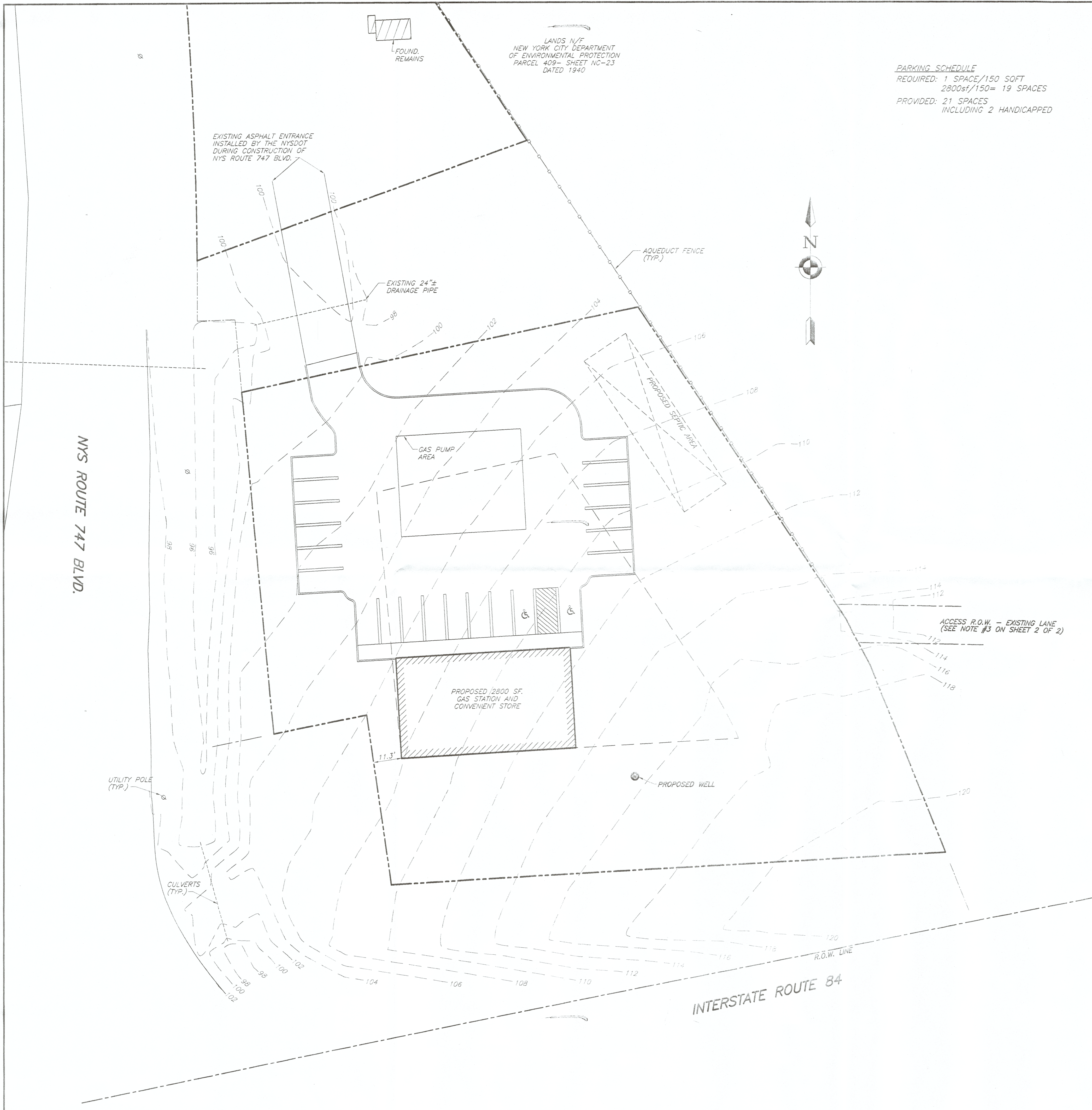
- NOTES:**
- LOT 2B & 2C HAVE RIGHT OF ACCESS THRU LOT 2A FOR INGRESS AND EGRESS TO DRURY LANE.
 - LOT 2A & 2B SUBJECT TO THE RIGHT OF LOT 2C FOR INGRESS AND EGRESS TO DRURY LANE.
 - TOGETHER WITH A RIGHT OF WAY IN FAVOR OF LOT 2C AS SHOWN FOR INGRESS AND EGRESS OVER LANDS OF NEW YORK CITY DEPARTMENT OF ENVIRONMENTAL PROTECTION AND SHOWN ON A MAP OF PARCEL 409, SHEET #NC-23, DATED 1940.

- EXCEPTION REFERENCES:**
- STATE OF NEW YORK NOTICES OF APPROPRIATION
 - A. L.1867, P.462
 - B. L.1708, P.99
 - C. L.1798, P.100
 - D. L.1885, P.1065
 - E. L.1897, P.128
 - EXCEPTIONS IN L.3600, P.186
 - A. ANDREW C. & WILFRED SMITH, L.958, P.572
 - B. ARTHUR D. & DORIS M. AGOR, L.958, P.575
 - C. WILLIAM J. & ROSALIE E. HEITZMAN, L.1354, P.138
 - D. ROBERT MAZZARELLA & CAROLE H. CLARKSON, L.1713, P.542
 - E. GEORGE HUISS, JR. & JOHN R. HORTON, JR., L.1912, P.654
 - F. CAROLE H. MAZZARELLA, L.1940, P.461

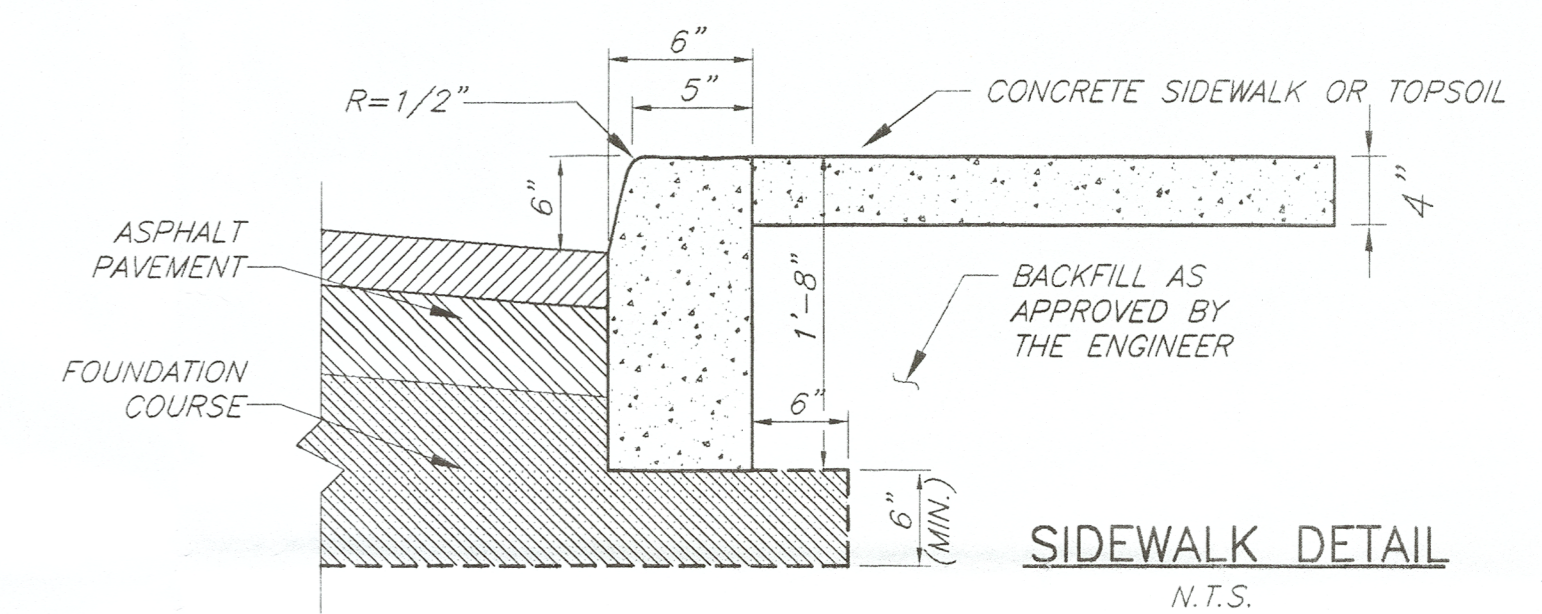


ENGINEER WILLIAM J. MORREAU 	PROPOSED SITE PLAN NEWBURGH PARK ASSOCIATES, INC. EXISTING SITE PLAN SBL: 89-1-19.22 TOWN OF NEWBURGH, ORANGE COUNTY, NY	
	DATE 7/7/2016	SCALE 1"=20'
		SHEET NUMBER 1 OF 2

PARKING SCHEDULE
 REQUIRED: 1 SPACE/150 SF
 2800sf/150 = 19 SPACES
 PROVIDED: 21 SPACES
 INCLUDING 2 HANDICAPPED



DUMPSTER ENCLOSURE DETAIL
 N.T.S.



SIDEWALK DETAIL
 N.T.S.

ENGINEER
 WILLIAM J. MOREAU

PROPOSED SITE PLAN
 NEWBURGH PARK ASSOCIATES, INC.
PROPOSED SITE PLAN
 SBL: 89-1-19.22
 TOWN OF NEWBURGH, ORANGE COUNTY, NY

DATE	SCALE	JOB NUMBER	SHEET NUMBER
7/7/2016	1"=20'	15-008-PMU	2 OF 2