



# Where Restaurants Shop®

Newburgh, NY

<b>SIGN A</b>	Restaurant Depot logo
Type:	Wall Sign
Illumination:	Internally Illuminated Fluorescent Bulbs
Square Footage:	78.57
To Grade:	Top of Sign To Grade = 33'-10" Bottom of Sign To Grade = 23'-10"

<b>SIGN B</b>	Where Restaurants Shop
Type:	Wall Sign
Illumination:	Internally Illuminated Fluorescent Bulbs
Square Footage:	60.00
To Grade:	Top of Sign To Grade = 30'-3 1/2" Bottom of Sign To Grade = 27'-3 1/2"

<b>SIGN C</b>	Restaurant Depot logo
Type:	Wall Sign
Illumination:	Internally Illuminated Fluorescent Bulbs
Square Footage:	12.57
To Grade:	Top of Sign To Grade = 18'-5" Bottom of Sign To Grade = 14'-5"

<b>SIGN D</b>	Restaurant Depot logo
Type:	Wall Sign
Illumination:	Internally Illuminated Fluorescent Bulbs
Square Footage:	113.10
To Grade:	Top of Sign To Grade = 34'-10" Bottom of Sign To Grade = 22'-10"

<b>SIGN E</b>	Where Restaurants Shop
Type:	Wall Sign
Illumination:	Internally Illuminated Fluorescent Bulbs
Square Footage:	60.00
To Grade:	Top of Sign To Grade = 30'-3 1/2" Bottom of Sign To Grade = 27'-3 1/2"

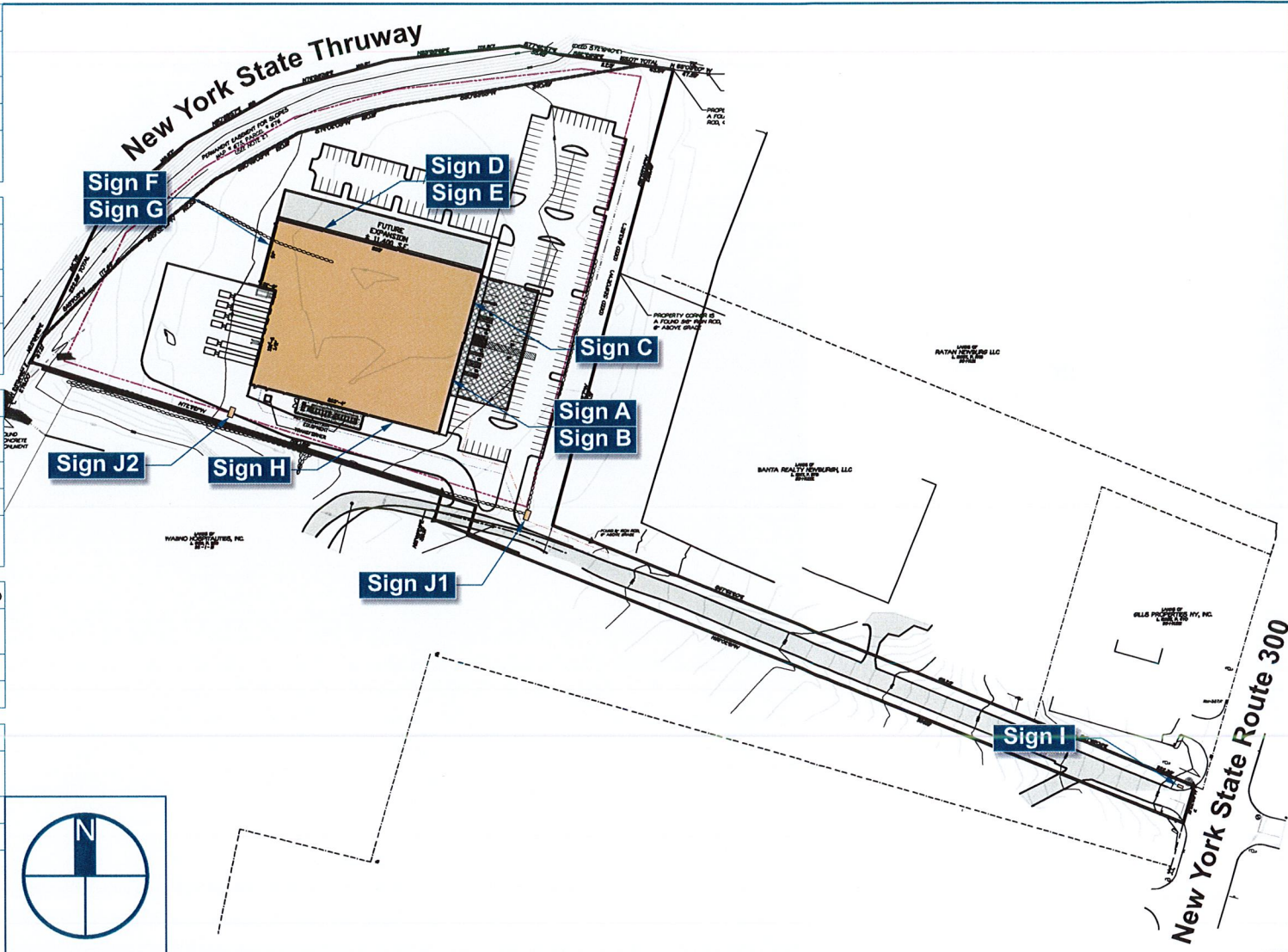
<b>SIGN F</b>	Restaurant Depot logo
Type:	Wall Sign
Illumination:	Internally Illuminated Fluorescent Bulbs
Square Footage:	113.10
To Grade:	Top of Sign To Grade = 34'-10" Bottom of Sign To Grade = 22'-10"

<b>SIGN G</b>	Where Restaurants Shop
Type:	Wall Sign
Illumination:	Internally Illuminated Fluorescent Bulbs
Square Footage:	60.00
To Grade:	Top of Sign To Grade = 30'-3 1/2" Bottom of Sign To Grade = 27'-3 1/2"

<b>SIGN H</b>	Restaurant Depot logo
Type:	Wall Sign
Illumination:	Internally Illuminated Fluorescent Bulbs
Square Footage:	78.57
To Grade:	Top of Sign To Grade = 33'-10" Bottom of Sign To Grade = 23'-10"

<b>SIGN I</b>	Restaurant Depot/Where Restaurants Shop
Type:	Monument Sign
Illumination:	Internally Illuminated Fluorescent Bulbs
Square Footage:	32.00

<b>SIGN J1 &amp; J2</b>	Directional Signs
Type:	Directional Signs
Illumination:	Non-Illuminated
Square Footage:	3.00



Client: Restaurant Depot  
 Site #: RD-A21624  
 Address: 1281 Route 300  
 Newburgh, NY 12550

REVISION INFO	10/12/2016	Variance Rendering	SD

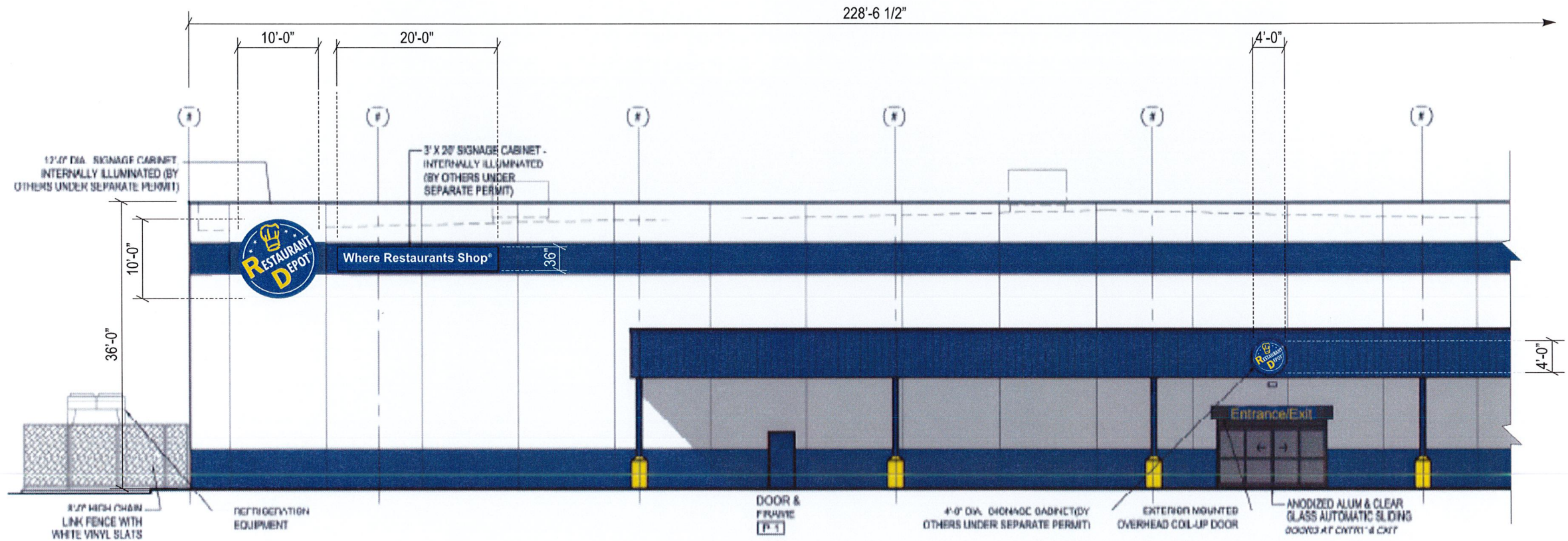
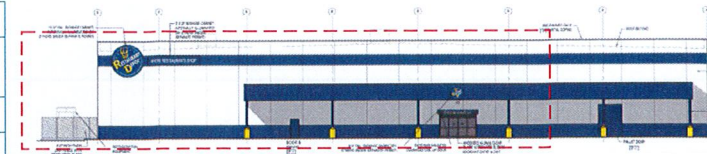
This rendering is the property of Anchor Sign, Inc. It is for the exclusive use of Anchor Sign, Inc. and the party which requested the rendering. It is an unpublished original drawing not to be distributed, reproduced or exhibited without the consent of Anchor Sign, Inc. Please contact your account manager with questions regarding this statement.



<b>SIGN A</b>	Restaurant Depot logo
Type:	Wall Sign
Illumination:	Internally Illuminated Fluorescent Bulbs
Square Footage:	78.57
To Grade:	Top of Sign To Grade = 33'-10" Bottom of Sign To Grade = 23'-10"

<b>SIGN B</b>	Where Restaurants Shop
Type:	Wall Sign
Illumination:	Internally Illuminated Fluorescent Bulbs
Square Footage:	60.00
To Grade:	Top of Sign To Grade = 30'-3 1/2" Bottom of Sign To Grade = 27'-3 1/2"

<b>SIGN C</b>	Restaurant Depot logo
Type:	Wall Sign
Illumination:	Internally Illuminated Fluorescent Bulbs
Square Footage:	12.57
To Grade:	Top of Sign To Grade = 18'-5" Bottom of Sign To Grade = 14'-5"



**Front Elevation (East)**  
Scale: 1/16" = 1'-0"

Allowable Square Footage this Elevation:	TBD
Actual Square Footage this Elevation:	151.14



Client: Restaurant Depot  
Site #: RD-A21624  
Address: 1281 Route 300  
Newburgh, NY 12550

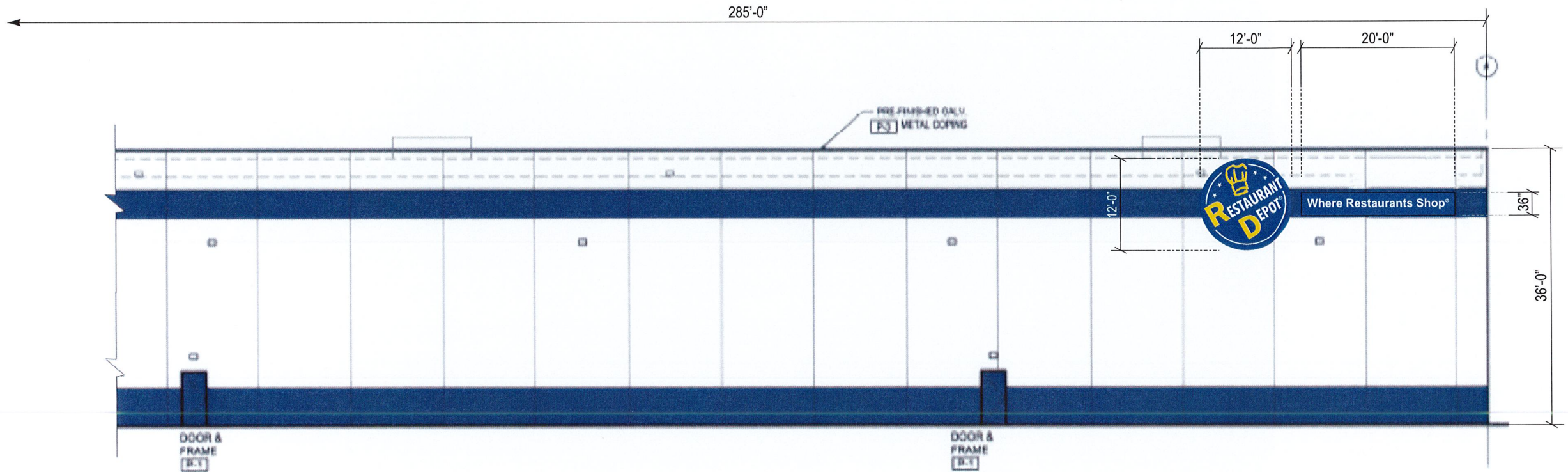
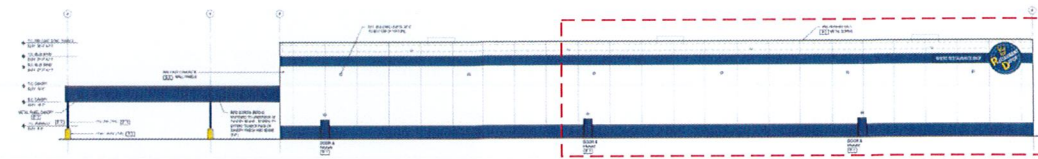
REVISION INFO	10/12/2016	Variance Rendering	SD

This rendering is the property of Anchor Sign, Inc. It is for the exclusive use of Anchor Sign, Inc. and the party which requested the rendering. It is an unpublished original drawing not to be distributed, reproduced or exhibited without the consent of Anchor Sign, Inc. Please contact your account manager with questions regarding this statement.



<b>SIGN D</b>	Restaurant Depot logo
Type:	Wall Sign
Illumination:	Internally Illuminated Fluorescent Bulbs
Square Footage:	113.10
To Grade:	Top of Sign To Grade = 34'-10" Bottom of Sign To Grade = 22'-10"

<b>SIGN E</b>	Where Restaurants Shop
Type:	Wall Sign
Illumination:	Internally Illuminated Fluorescent Bulbs
Square Footage:	60.00
To Grade:	Top of Sign To Grade = 30'-3 1/2" Bottom of Sign To Grade = 27'-3 1/2"



**Right Elevation (North)**

Scale: 1/16" = 1'-0"

Allowable Square Footage this Elevation:	TBD
Actual Square Footage this Elevation:	173.10



Client: Restaurant Depot  
 Site #: RD-A21624  
 Address: 1281 Route 300  
 Newburgh, NY 12550

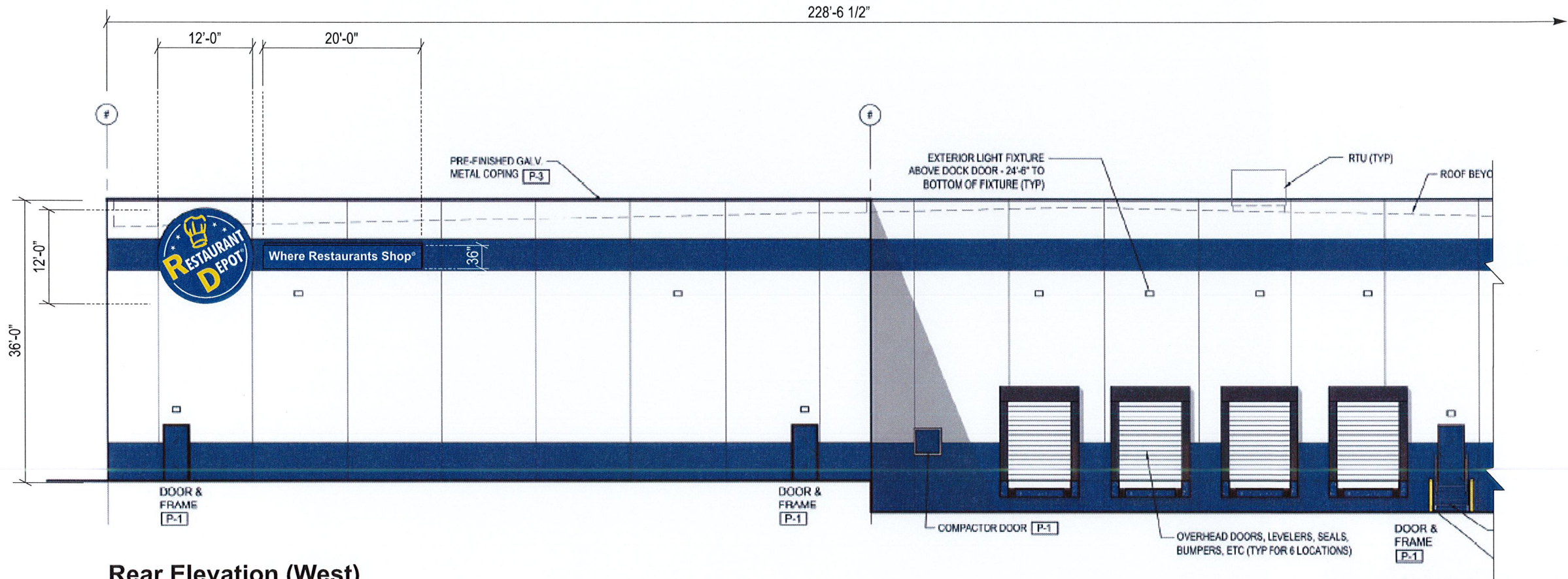
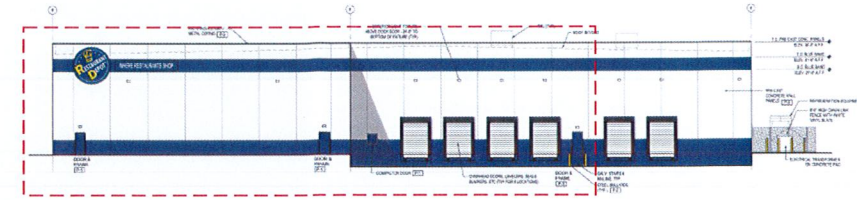
REVISION INFO	DATE	DESCRIPTION	BY
	10/12/2016	Variance Rendering	SD

This rendering is the property of Anchor Sign, Inc. It is for the exclusive use of Anchor Sign, Inc. and the party which requested the rendering. It is an unpublished original drawing not to be distributed, reproduced or exhibited without the consent of Anchor Sign, Inc. Please contact your account manager with questions regarding this statement.



<b>SIGN F</b>	Restaurant Depot logo
Type:	Wall Sign
Illumination:	Internally Illuminated Fluorescent Bulbs
Square Footage:	113.10
To Grade:	Top of Sign To Grade = 34'-10" Bottom of Sign To Grade = 22'-10"

<b>SIGN G</b>	Where Restaurants Shop
Type:	Wall Sign
Illumination:	Internally Illuminated Fluorescent Bulbs
Square Footage:	60.00
To Grade:	Top of Sign To Grade = 30'-3 1/2" Bottom of Sign To Grade = 27'-3 1/2"



**Rear Elevation (West)**

Scale: 1/16" = 1'-0"

Allowable Square Footage this Elevation:	TBD
Actual Square Footage this Elevation:	173.10



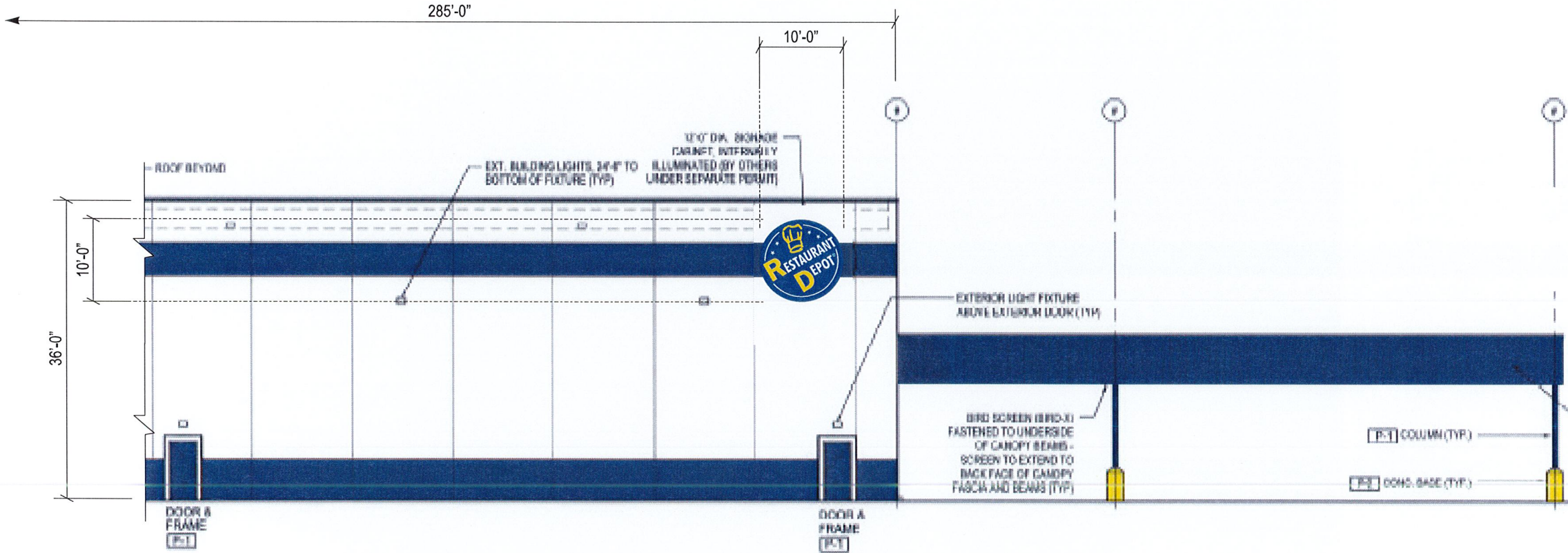
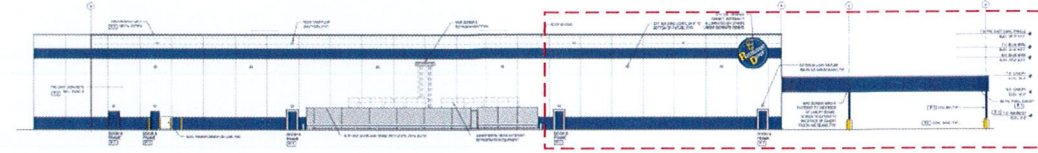
Client: Restaurant Depot  
 Site #: RD-A21624  
 Address: 1281 Route 300  
 Newburgh, NY 12550

REVISION INFO	10/12/2016	Variance Rendering	SD

This rendering is the property of Anchor Sign, Inc. It is for the exclusive use of Anchor Sign, Inc. and the party which requested the rendering. It is an unpublished original drawing not to be distributed, reproduced or exhibited without the consent of Anchor Sign, Inc. Please contact your account manager with questions regarding this statement.



<b>SIGN H</b>	Restaurant Depot logo
Type:	Wall Sign
Illumination:	Internally Illuminated Fluorescent Bulbs
Square Footage:	78.57
To Grade:	Top of Sign To Grade = 33'-10" Bottom of Sign To Grade = 23'-10"



**Left Elevation (South)**

Scale: 1/16" = 1'-0"

Allowable Square Footage this Elevation:	TBD
Actual Square Footage this Elevation:	78.57



Client: Restaurant Depot  
 Site #: RD-A21624  
 Address: 1281 Route 300  
 Newburgh, NY 12550

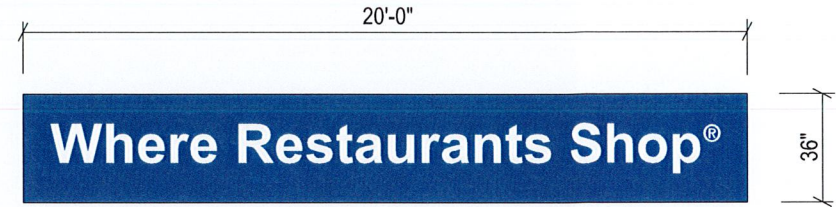
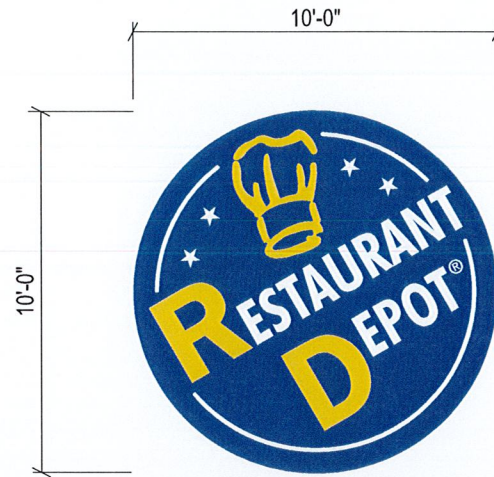
REVISION INFO	DATE	DESCRIPTION	BY
	10/12/2016	Variance Rendering	SD

This rendering is the property of Anchor Sign, Inc. It is for the exclusive use of Anchor Sign, Inc. and the party which requested the rendering. It is an unpublished original drawing not to be distributed, reproduced or exhibited without the consent of Anchor Sign, Inc. Please contact your account manager with questions regarding this statement.



<b>SIGN A</b>	Restaurant Depot logo
Type:	Wall Sign
Illumination:	Internally Illuminated Fluorescent Bulbs
Square Footage:	78.57
To Grade:	Top of Sign To Grade = 33'-10" Bottom of Sign To Grade = 23'-10"

<b>SIGN B</b>	Where Restaurants Shop
Type:	Wall Sign
Illumination:	Internally Illuminated Fluorescent Bulbs
Square Footage:	60.00
To Grade:	Top of Sign To Grade = 30'-3 1/2" Bottom of Sign To Grade = 27'-3 1/2"



- Pantone 288C Blue  
3M# 3630-157 Sultan Blue
- Pantone 102C Yellow  
3M# 3630-015 Yellow
- Pantone White

<b>Electrical (12' Circle):</b>
( 2 ) EESB 1048-26L @ x 3.0 amps ea Total amps = 6.0

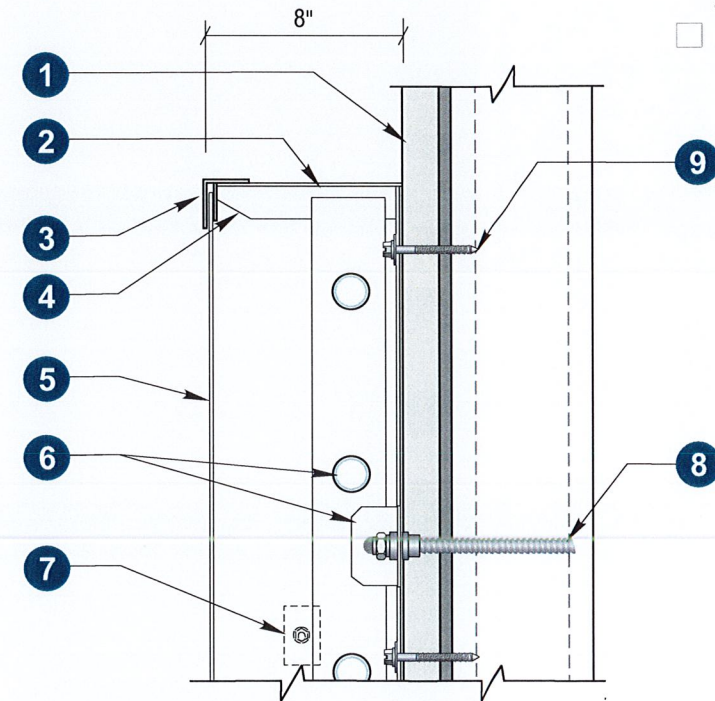
<b>Electrical (Wall Sign):</b>
( 1 ) EESB 1048-26L @ 3.0 x amps ea ( 1 ) EESB 424-13L @ 1.5 x amps ea Total amps = 4.5

<b>General Notes:</b>
This sign is to be installed in accordance with the requirements of Article 600 of the National Electrical Code.
1) Grounded and bonded per NEC 600.7/NEC 250
2) Existing branch circuit in compliance with NEC 600.5, not to exceed 20 amps
3) Sign is to be UL listed per NEC 600.3
4) UL disconnect switch per NEC 600.6- required per sign component before leaving manufacturer*
*For multiple signs, a disconnect is permitted but not required for each section

### Sign Layout Detail

Scale: 3/16" = 1'-0"

<b>Specifications: Wall Sign, Lexan Face</b>
1. Existing Facade: Precast concrete panels over steel framing
2. 0.050" Aluminum sign cabinet painted to match Pantone 288C Blue
3. 2" x 2" Aluminum angle retainers painted to match Pantone 288C Blue
4. 1 1/2" x 1 1/2" Internal Aluminum angle frame
5. Wall Sign: 3/16" White Lexan face with first surface applied vinyl Logo Disk: Panaflex face with first surface applied vinyl 3M# 3630-157 Sultan Blue, 3M# 3630-015 Yellow
6. Sign cabinet contains lamps, ballasts, and raceways
7. Waterproof disconnect switch
8. Primary electrical feed
9. 3/8" Tapcons



### Section @ S/F Wall Sign

Fluorescent Lamps

Scale: N.T.S.

Note: 1/4" Drain holes at bottom of sign (@ 36" O.C.)



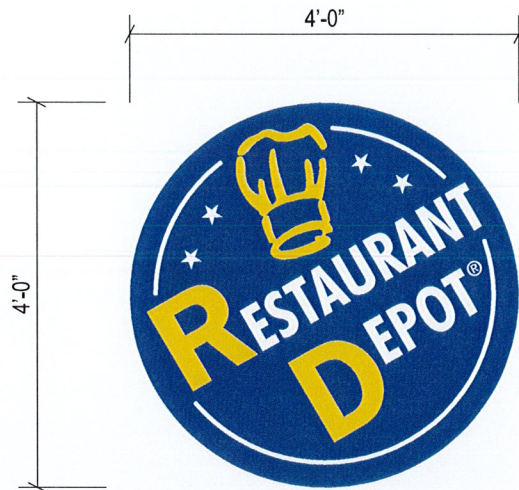
Client: Restaurant Depot  
Site #: RD-A21624  
Address: 1281 Route 300  
Newburgh, NY 12550

REVISION INFO	10/12/2016	Variance Rendering	SD

This rendering is the property of Anchor Sign, Inc. It is for the exclusive use of Anchor Sign, Inc. and the party which requested the rendering. It is an unpublished original drawing not to be distributed, reproduced or exhibited without the consent of Anchor Sign, Inc. Please contact your account manager with questions regarding this statement.



<b>SIGN C</b>	Restaurant Depot logo
Type:	Wall Sign
Illumination:	Internally Illuminated Fluorescent Bulbs
Square Footage:	12.57
To Grade:	Top of Sign To Grade = 18'-5" Bottom of Sign To Grade = 14'-5"



**Sign Layout Detail**

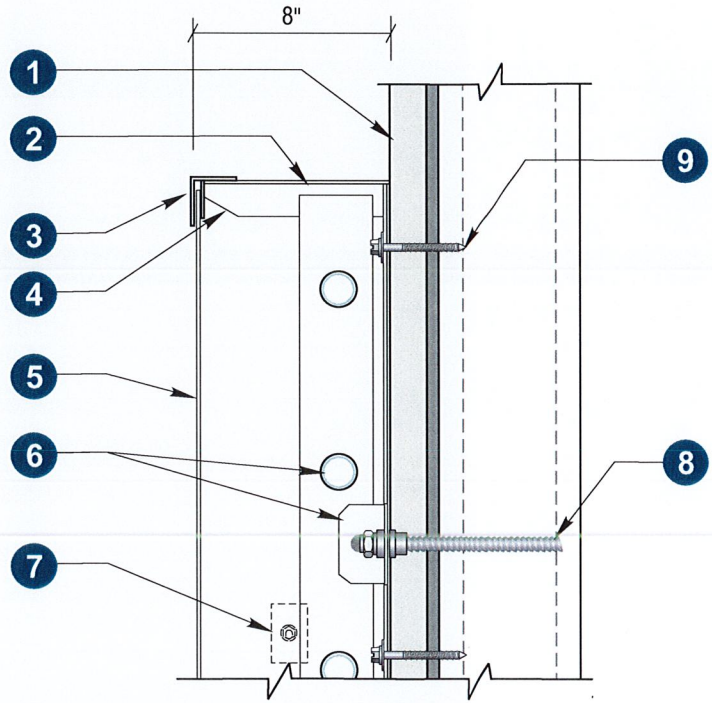
Scale: 1/2" = 1'-0"

- Pantone 288C Blue  
3M# 3630-157 Sultan Blue
- Pantone 102C Yellow  
3M# 3630-015 Yellow
- Pantone White

<b>Electrical:</b>
( 1 ) EESB 832-16I @ 3 amps ea Total amps = 3 amps

<b>General Notes:</b>
This sign is to be installed in accordance with the requirements of Article 600 of the National Electrical Code.
1) Grounded and bonded per NEC 600.7/NEC 250
2) Existing branch circuit in compliance with NEC 600.5, not to exceed 20 amps
3) Sign is to be UL listed per NEC 600.3
4) UL disconnect switch per NEC 600.6- required per sign component before leaving manufacturer*
*For multiple signs, a disconnect is permitted but not required for each section

<b>Specifications: Wall Sign, Lexan Face</b>
1. Existing Facade: Precast concrete panels over steel framing
2. 0.050" Aluminum sign cabinet painted to match Pantone 288C Blue
3. 2" x 2" Aluminum angle retainers painted to match Pantone 288C Blue
4. 1 1/2" x 1 1/2" Internal Aluminum angle frame
5. Wall Sign: 3/16" White Lexan face with first surface applied vinyl Logo Disk: Panaflex face with first surface applied vinyl 3M# 3630-157 Sultan Blue, 3M# 3630-015 Yellow
6. Sign cabinet contains lamps, ballasts, and raceways
7. Waterproof disconnect switch
8. Primary electrical feed
9. 3/8" Tapcons



**Section @ S/F Wall Sign**  
**Fluorescent Lamps** Scale: N.T.S.

Note: 1/4" Drain holes at bottom of sign (@ 36" O.C.)



Client: Restaurant Depot  
Site #: RD-A21624  
Address: 1281 Route 300  
Newburgh, NY 12550

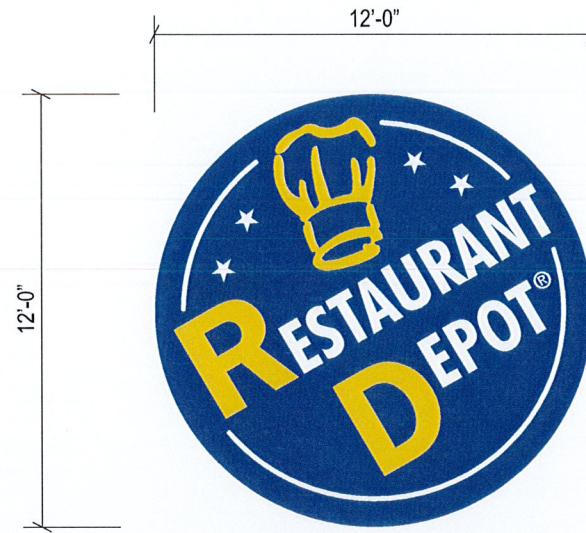
REVISION INFO	10/12/2016	Variance Rendering	SD

This rendering is the property of Anchor Sign, Inc. It is for the exclusive use of Anchor Sign, Inc. and the party which requested the rendering. It is an unpublished original drawing not to be distributed, reproduced or exhibited without the consent of Anchor Sign, Inc. Please contact your account manager with questions regarding this statement.

1.800.213.3331

<b>SIGN D</b>	Restaurant Depot logo
Type:	Wall Sign
Illumination:	Internally Illuminated Fluorescent Bulbs
Square Footage:	113.10
To Grade:	Top of Sign To Grade = 34'-10" Bottom of Sign To Grade = 22'-10"

<b>SIGN E</b>	Where Restaurants Shop
Type:	Wall Sign
Illumination:	Internally Illuminated Fluorescent Bulbs
Square Footage:	60.00
To Grade:	Top of Sign To Grade = 30'-3 1/2" Bottom of Sign To Grade = 27'-3 1/2"



### Sign Layout Detail

Scale: 3/16" = 1'-0"



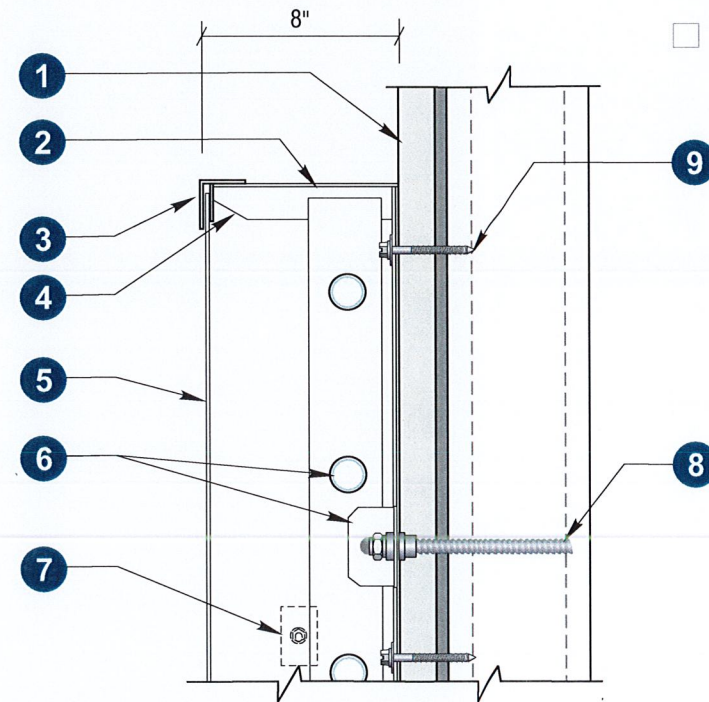
- Pantone 288C Blue  
3M# 3630-157 Sultan Blue
- Pantone 102C Yellow  
3M# 3630-015 Yellow
- Pantone White

<b>Electrical (12' Circle):</b>
( 2 ) EESB 1048-26L @ x 3.0 amps ea Total amps = 6.0

<b>Electrical (Wall Sign):</b>
( 1 ) EESB 1048-26L @ 3.0 x amps ea ( 1 ) EESB 424-13L @ 1.5 x amps ea Total amps = 4.5

<b>General Notes:</b>
This sign is to be installed in accordance with the requirements of Article 600 of the National Electrical Code.
1) Grounded and bonded per NEC 600.7/NEC 250
2) Existing branch circuit in compliance with NEC 600.5, not to exceed 20 amps
3) Sign is to be UL listed per NEC 600.3
4) UL disconnect switch per NEC 600.6- required per sign component before leaving manufacturer*
*For multiple signs, a disconnect is permitted but not required for each section

<b>Specifications: Wall Sign, Lexan Face</b>
1. Existing Facade: Precast concrete panels over steel framing
2. 0.050" Aluminum sign cabinet painted to match Pantone 288C Blue
3. 2" x 2" Aluminum angle retainers painted to match Pantone 288C Blue
4. 1 1/2" x 1 1/2" Internal Aluminum angle frame
5. Wall Sign: 3/16" White Lexan face with first surface applied vinyl Logo Disk: Panaflex face with first surface applied vinyl 3M# 3630-157 Sultan Blue, 3M# 3630-015 Yellow
6. Sign cabinet contains lamps, ballasts, and raceways
7. Waterproof disconnect switch
8. Primary electrical feed
9. 3/8" Tapcons



### Section @ S/F Wall Sign

Fluorescent Lamps Scale: N.T.S.

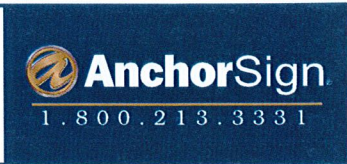
Note: 1/4" Drain holes at bottom of sign (@ 36" O.C.)



Client: Restaurant Depot
Site #: RD-A21624
Address: 1281 Route 300 Newburgh, NY 12550

REVISION INFO	10/12/2016	Variance Rendering	SD

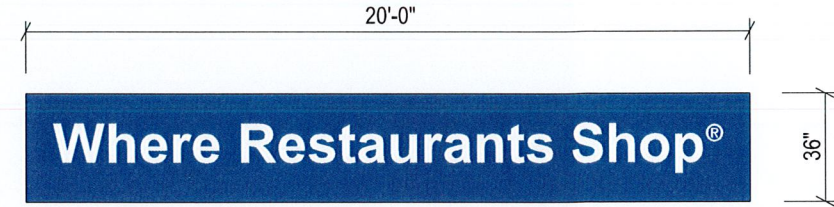
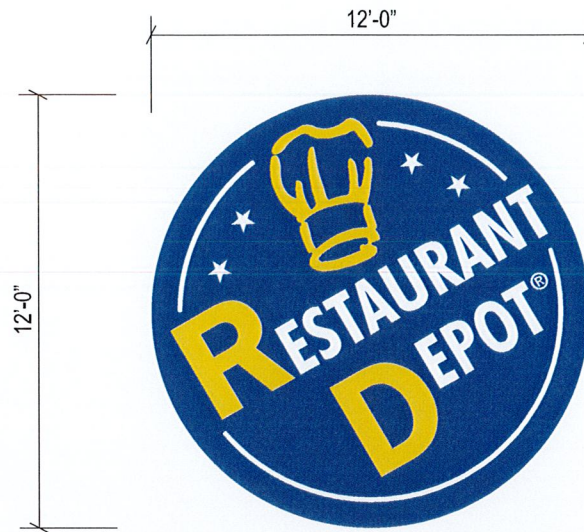
This rendering is the property of Anchor Sign, Inc. It is for the exclusive use of Anchor Sign, Inc. and the party which requested the rendering. It is an unpublished original drawing not to be distributed, reproduced or exhibited without the consent of Anchor Sign, Inc. Please contact your account manager with questions regarding this statement.





<b>SIGN F</b>	Restaurant Depot logo
Type:	Wall Sign
Illumination:	Internally Illuminated Fluorescent Bulbs
Square Footage:	113.10
To Grade:	Top of Sign To Grade = 34'-10" Bottom of Sign To Grade = 22'-10"

<b>SIGN G</b>	Where Restaurants Shop
Type:	Wall Sign
Illumination:	Internally Illuminated Fluorescent Bulbs
Square Footage:	60.00
To Grade:	Top of Sign To Grade = 30'-3 1/2" Bottom of Sign To Grade = 27'-3 1/2"



- Pantone 288C Blue  
3M# 3630-157 Sultan Blue
- Pantone 102C Yellow  
3M# 3630-015 Yellow
- Pantone White

<b>Electrical (12' Circle):</b>
( 2 ) EESB 1048-26L @ x 3.0 amps ea Total amps = 6.0

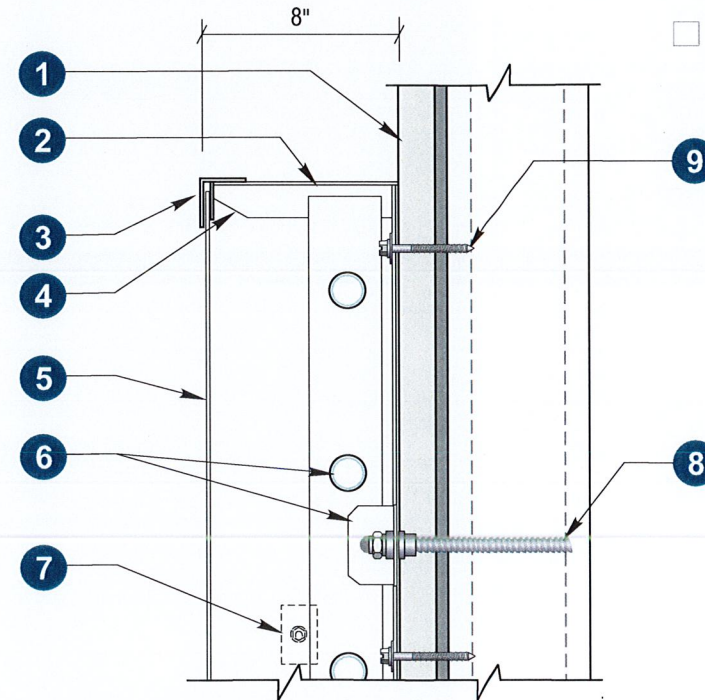
<b>Electrical (Wall Sign):</b>
( 1 ) EESB 1048-26L @ 3.0 x amps ea ( 1 ) EESB 424-13L @ 1.5 x amps ea Total amps = 4.5

<b>General Notes:</b>
This sign is to be installed in accordance with the requirements of Article 600 of the National Electrical Code.
1) Grounded and bonded per NEC 600.7/NEC 250
2) Existing branch circuit in compliance with NEC 600.5, not to exceed 20 amps
3) Sign is to be UL listed per NEC 600.3
4) UL disconnect switch per NEC 600.6- required per sign component before leaving manufacturer*
*For multiple signs, a disconnect is permitted but not required for each section

**Sign Layout Detail**

Scale: 3/16" = 1'-0"

<b>Specifications: Wall Sign, Lexan Face</b>
1. Existing Facade: Precast concrete panels over steel framing
2. 0.050" Aluminum sign cabinet painted to match Pantone 288C Blue
3. 2" x 2" Aluminum angle retainers painted to match Pantone 288C Blue
4. 1 1/2" x 1 1/2" Internal Aluminum angle frame
5. Wall Sign: 3/16" White Lexan face with first surface applied vinyl Logo Disk: Panaflex face with first surface applied vinyl 3M# 3630-157 Sultan Blue, 3M# 3630-015 Yellow
6. Sign cabinet contains lamps, ballasts, and raceways
7. Waterproof disconnect switch
8. Primary electrical feed
9. 3/8" Tapcons



**Section @ S/F Wall Sign**

Fluorescent Lamps Scale: N.T.S.

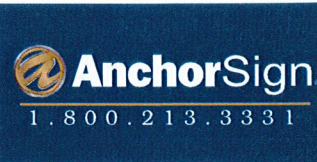
Note: 1/4" Drain holes at bottom of sign (@ 36" O.C.)



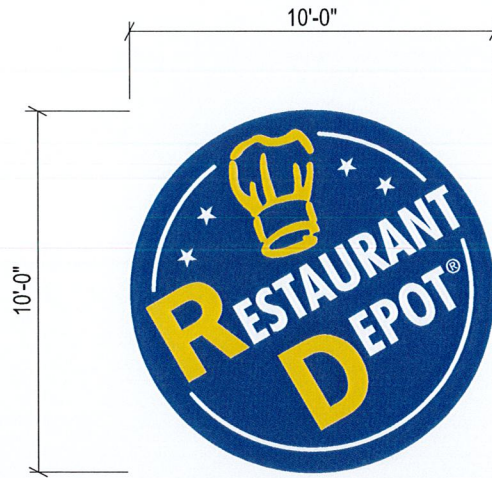
Client: Restaurant Depot  
Site #: RD-A21624  
Address: 1281 Route 300  
Newburgh, NY 12550

REVISION INFO	10/12/2016	Variance Rendering	SD

This rendering is the property of Anchor Sign, Inc. It is for the exclusive use of Anchor Sign, Inc. and the party which requested the rendering. It is an unpublished original drawing not to be distributed, reproduced or exhibited without the consent of Anchor Sign, Inc. Please contact your account manager with questions regarding this statement.



<b>SIGN H</b>	Restaurant Depot logo
Type:	Wall Sign
Illumination:	Internally Illuminated Fluorescent Bulbs
Square Footage:	78.57
To Grade:	Top of Sign To Grade = 33'-10" Bottom of Sign To Grade = 23'-10"



**Sign Layout Detail**

Scale: 3/16" = 1'-0"

- Pantone 288C Blue  
3M# 3630-157 Sultan Blue
- Pantone 102C Yellow  
3M# 3630-015 Yellow
- Pantone White

**Electrical (Wall Sign):**

- ( 1 ) EESB 1048-26L @ 3.0 x amps ea
- ( 1 ) EESB 424-13L @ 1.5 x amps ea
- Total amps = 4.5



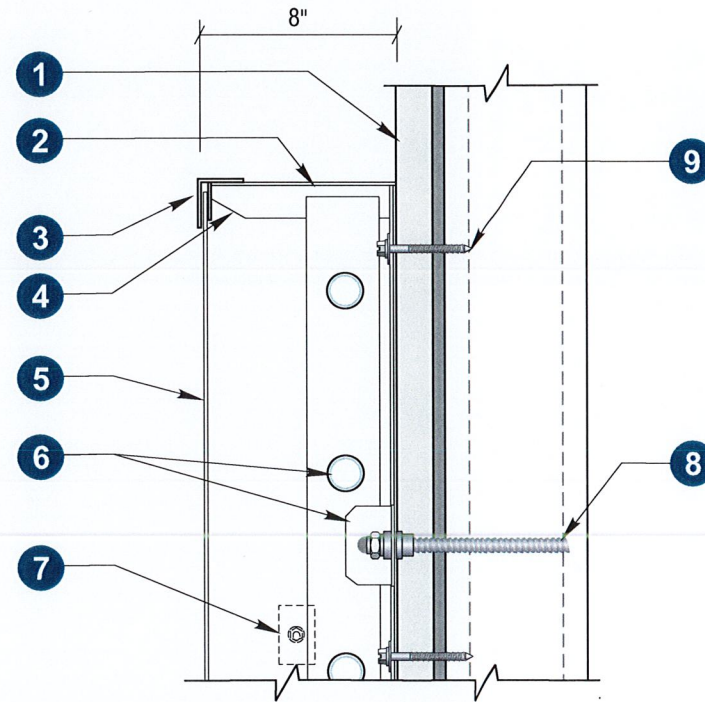
**General Notes:**

This sign is to be installed in accordance with the requirements of Article 600 of the National Electrical Code.

- 1) Grounded and bonded per NEC 600.7/NEC 250
- 2) Existing branch circuit in compliance with NEC 600.5, not to exceed 20 amps
- 3) Sign is to be UL listed per NEC 600.3
- 4) UL disconnect switch per NEC 600.6- required per sign component before leaving manufacturer\*
- \*For multiple signs, a disconnect is permitted but not required for each section

**Specifications: Wall Sign, Lexan Face**

- 1. Existing Facade: Precast concrete panels over steel framing
- 2. 0.050" Aluminum sign cabinet painted to match Pantone 288C Blue
- 3. 2" x 2" Aluminum angle retainers painted to match Pantone 288C Blue
- 4. 1 1/2" x 1 1/2" Internal Aluminum angle frame
- 5. Wall Sign: 3/16" White Lexan face with first surface applied vinyl  
Logo Disk: Panaflex face with first surface applied vinyl  
3M# 3630-157 Sultan Blue, 3M# 3630-015 Yellow
- 6. Sign cabinet contains lamps, ballasts, and raceways
- 7. Waterproof disconnect switch
- 8. Primary electrical feed
- 9. 3/8" Tapcons



**Section @ S/F Wall Sign  
Fluorescent Lamps**

Scale: N.T.S.

Note: 1/4" Drain holes at bottom of sign (@ 36" O.C.)



Client: Restaurant Depot  
Site #: RD-A21624  
Address: 1281 Route 300  
Newburgh, NY 12550

REVISION INFO	10/12/2016	Variance Rendering	SD

This rendering is the property of Anchor Sign, Inc. It is for the exclusive use of Anchor Sign, Inc. and the party which requested the rendering. It is an unpublished original drawing not to be distributed, reproduced or exhibited without the consent of Anchor Sign, Inc. Please contact your account manager with questions regarding this statement.



<b>SIGN I</b>	Restaurant Depot/Where Restaurants Shop
Type:	Monument Sign
Illumination:	Internally Illuminated Fluorescent Bulbs
Square Footage:	32.00

- Pantone 288C Blue  
3M# 3630-157 Sultan Blue
- Pantone 102C Yellow  
3M# 3630-015 Yellow
- Pantone White

**Electrical:**

( 1 ) EESB 832-16I @ 3 amps ea  
Total amps = 3 amps



**General Notes:**

This sign is to be installed in accordance with the requirements of Article 600 of the National Electrical Code.

- 1) Grounded and bonded per NEC 600.7/NEC 250
- 2) Existing branch circuit in compliance with NEC 600.5, not to exceed 20 amps
- 3) Sign is to be UL listed per NEC 600.3
- 4) UL disconnect switch per NEC 600.6- required per sign component before leaving manufacturer\*  
\*For multiple signs, a disconnect is permitted but not required for each section



**Monument Sign - Elevation**

Scale: 1/2" = 1'-0"

**Side View**

Scale: 1/2" = 1'-0"



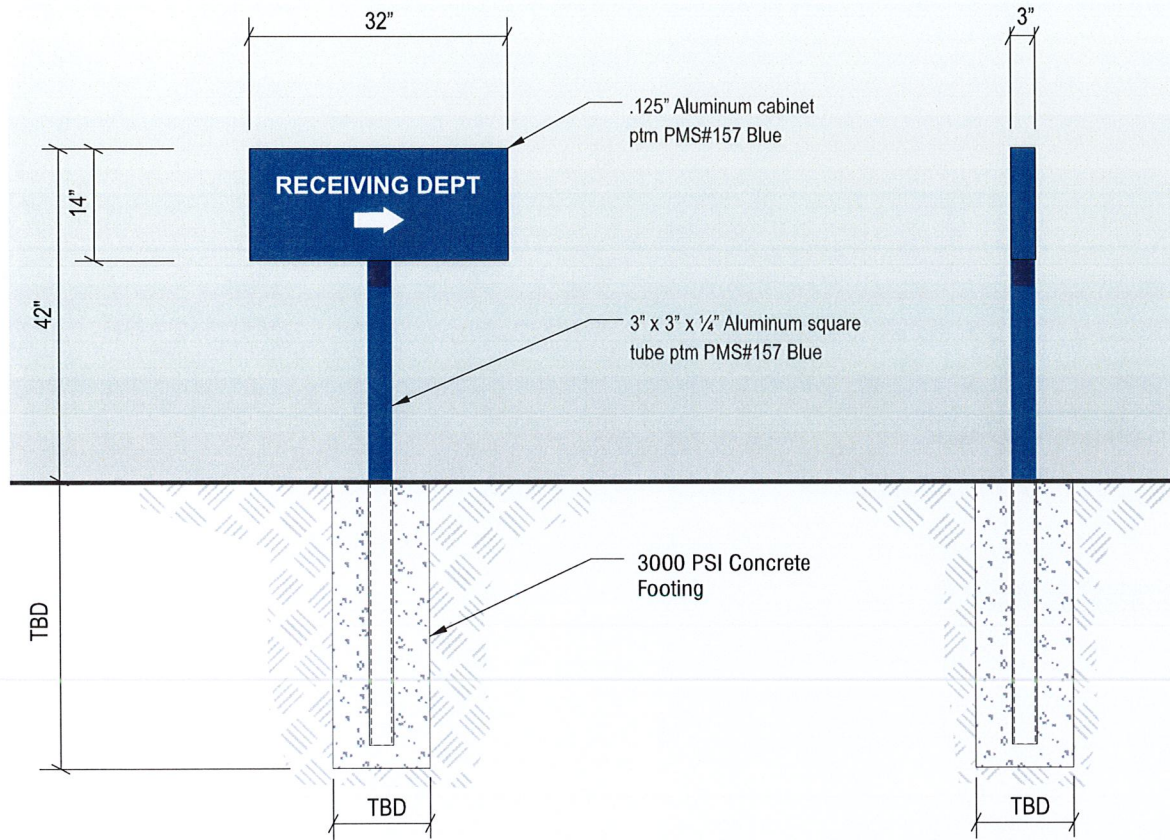
Client: Restaurant Depot  
Site #: RD-A21624  
Address: 1281 Route 300  
Newburgh, NY 12550

REVISION INFO	DATE	DESCRIPTION	BY
	10/12/2016	Variance Rendering	SD

This rendering is the property of Anchor Sign, Inc. It is for the exclusive use of Anchor Sign, Inc. and the party which requested the rendering. It is an unpublished original drawing not to be distributed, reproduced or exhibited without the consent of Anchor Sign, Inc. Please contact your account manager with questions regarding this statement.



<b>SIGN J1 &amp; J2</b>	Directional Signs
Type:	Directional Signs
Illumination:	Non-Illuminated
Square Footage:	3.00



**Directional Layouts**

Scale: 1/2" = 1'-0"

**Side View**

Scale: 1/2" = 1'-0"



**J1**



**J1 - Opposite Side**



**J2**



**J2 - Opposite Side**

- Pantone 288C Blue
- 3M# 3630-157 Sultan Blue
- Pantone White



Client: Restaurant Depot  
 Site #: RD-A21624  
 Address: 1281 Route 300  
 Newburgh, NY 12550

REVISION INFO	DATE	DESCRIPTION
	10/12/2016	Variance Rendering

SD

This rendering is the property of Anchor Sign, Inc. It is for the exclusive use of Anchor Sign, Inc. and the party which requested the rendering. It is an unpublished original drawing not to be distributed, reproduced or exhibited without the consent of Anchor Sign, Inc. Please contact your account manager with questions regarding this statement.

