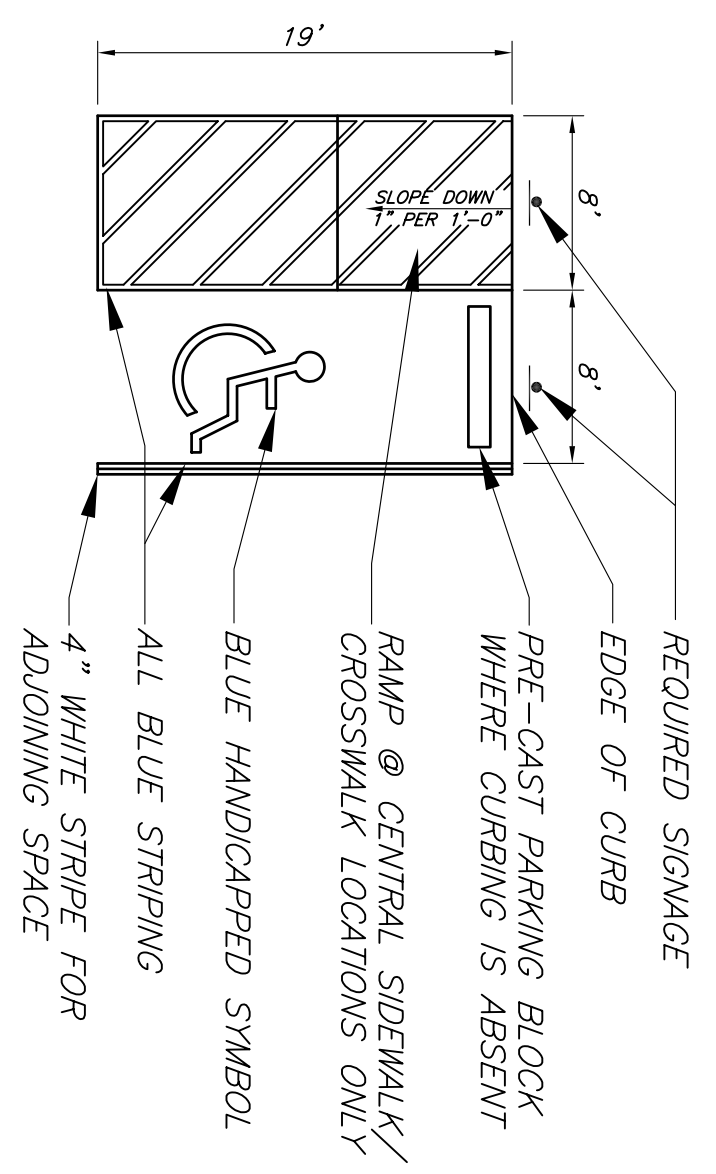
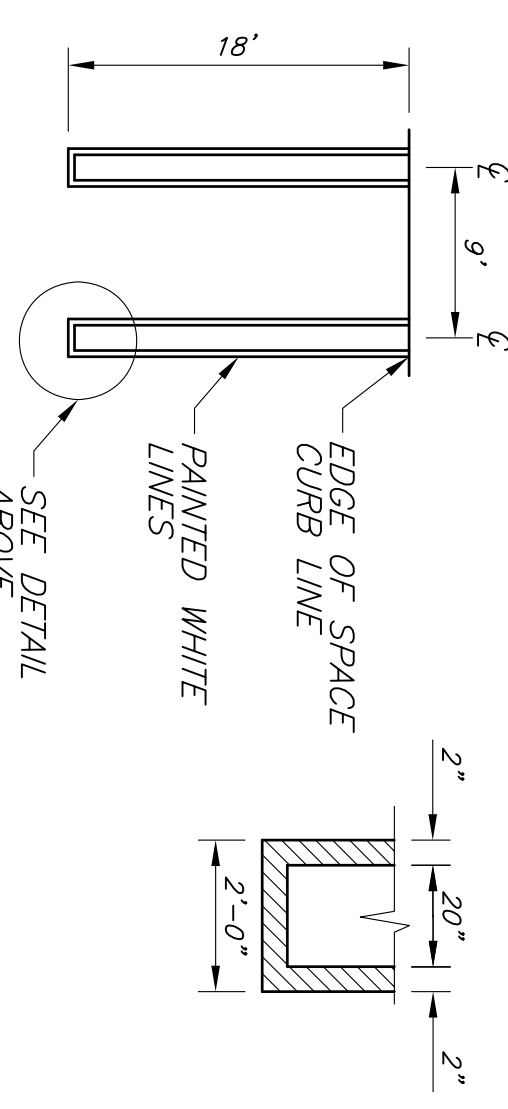


HANDICAPPED SIGN DETAIL
 NO SCALE



HANDICAPPED PARKING SPACE DETAIL
 NO SCALE

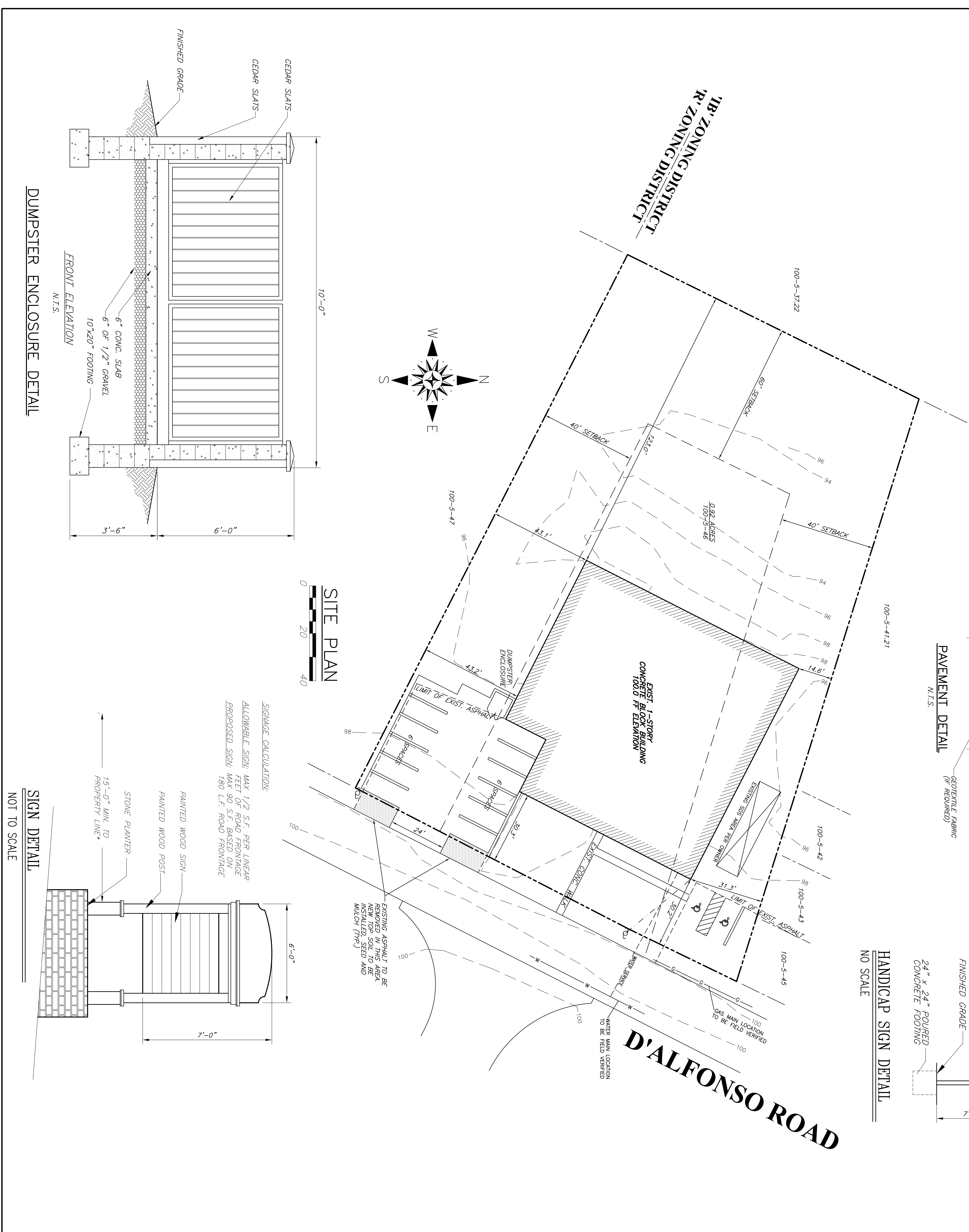
NOTES:
 1. SIGN TO BE INSTALLED IN FRONT OF THE CROSS-HATCHED ACCESS LANE OF THE HANDICAPPED PARKING SPACE. THE SIGN MUST READ "NO PARKING ANY TIME."
 2. ALL STRIPING TO BE BLUE IN COLOR (U.O.N.).



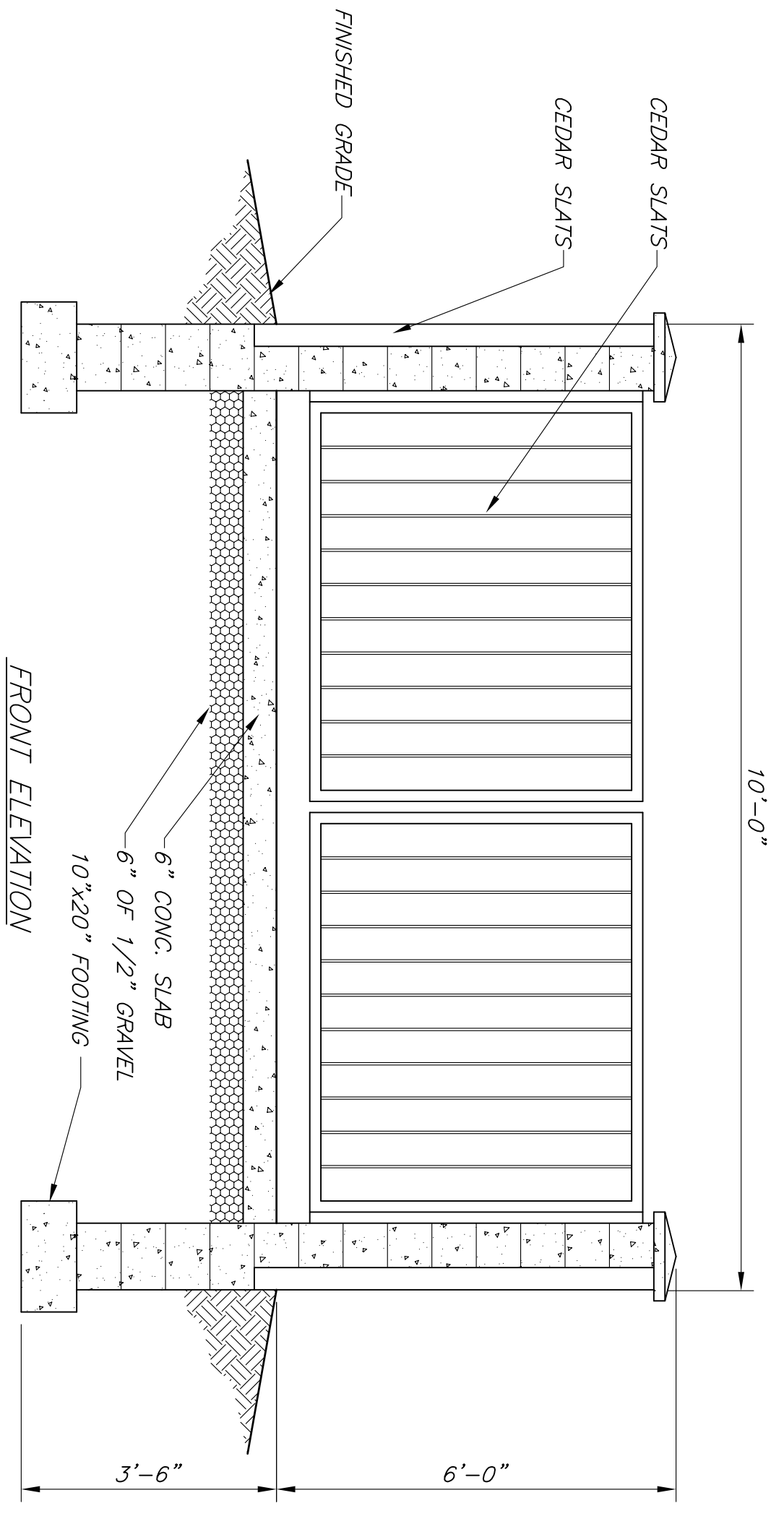
PARKING SPACE DETAIL
 NO SCALE

PARKING SCHEDULE
 PROVIDED: 14 SPACES
 INCLUDING 2 HANDICAPPED

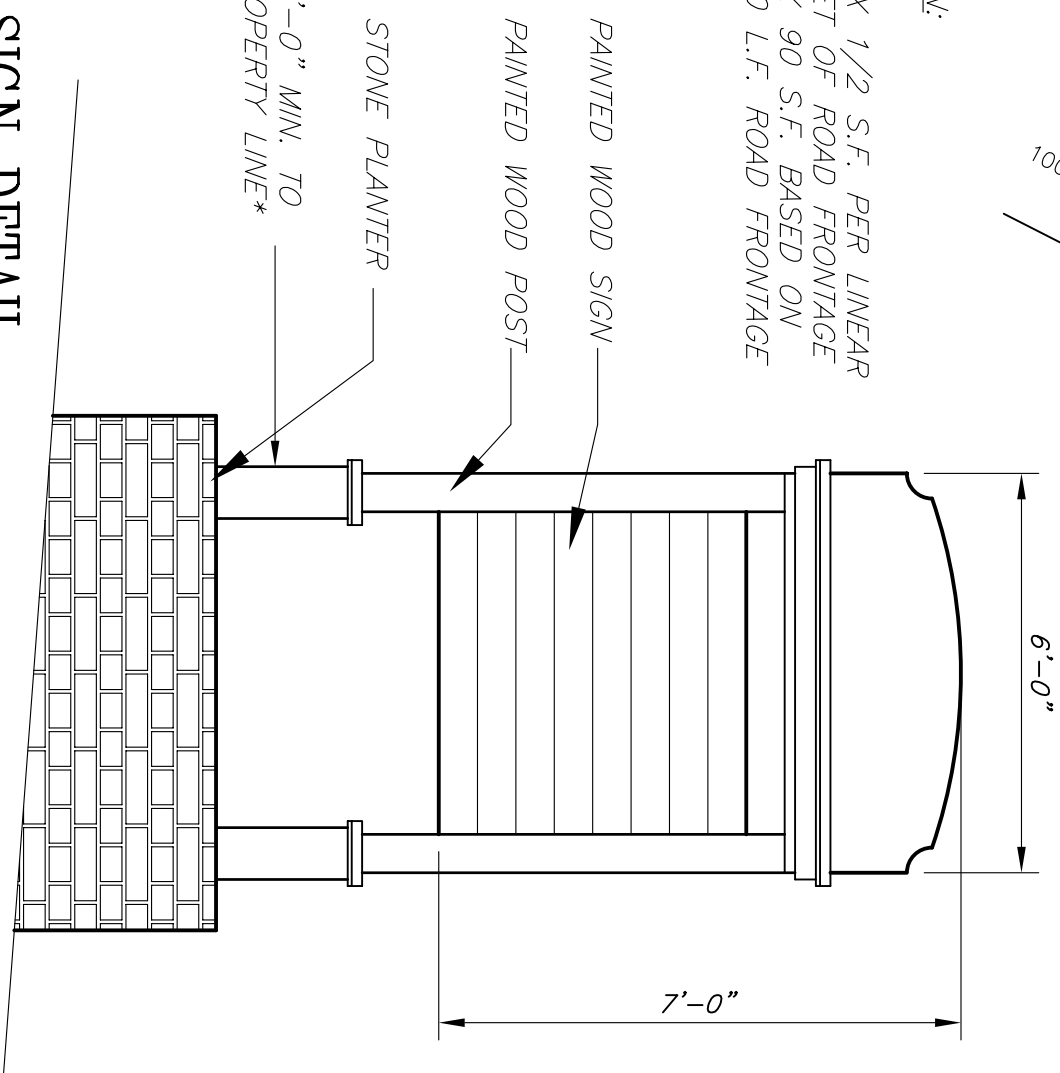
TOPOGRAPHY NOTE
 EXISTING TOPOGRAPHY FROM ZEN DESIGN CONSULTANTS, INC.



SITE PLAN



DUMPSTER ENCLOSURE DETAIL
 N.T.S.



SIGN DETAIL
 NOT TO SCALE

SIGNAGE CALCULATION:
 ALLOWABLE SIGN: MAX 1/2 S.F. PER LINEAR FEET OF ROAD FRONTAGE
 PROPOSED SIGN: MAX 90 S.F. BASED ON 180 L.F. ROAD FRONTAGE

EXISTING ASPHALT TO BE REMOVED IN THIS AREA. NEW TOP SOIL TO BE INSTALLED. SEED AND MULCH (TYP.)

WILLIAM J. MOREAU, P.E. ENGINEER		GOLDEN GLATT, INC. SBL: 100-5-46 EXISTING PLAN 16 D'ALFONSO ROAD TOWN OF NEWBURGH, ORANGE COUNTY	
DATE	SCALE	JOB NUMBER	SHEET NUMBER
07/01/2013	1" = 20'	J-3-019-Gd	1 OF 2