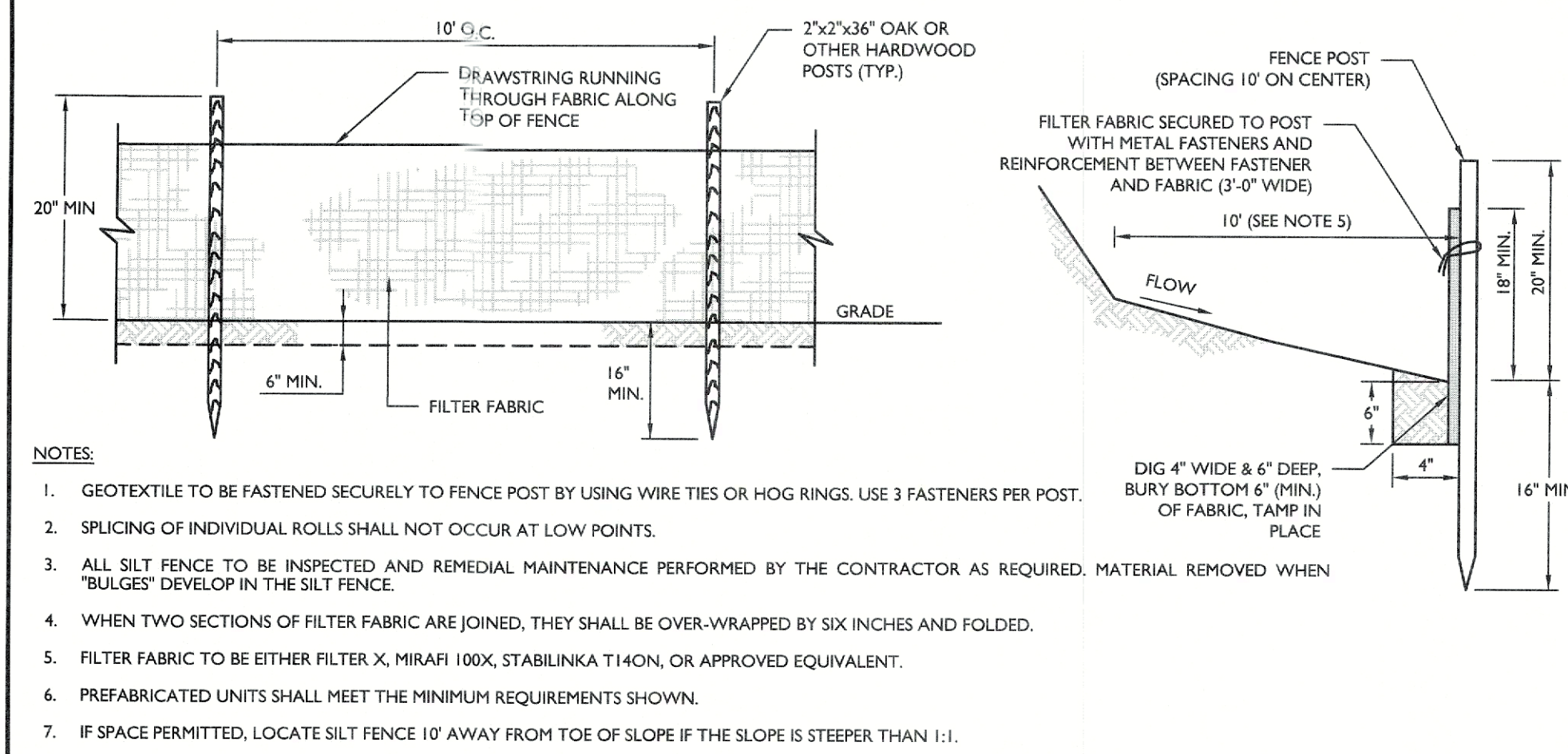


- NOTES:
- 1) BACKWASH 64 GALLONS PER BACKWASH AS PER CULLIGAN SPECIFICATION CALCULATE SDS AS 1 WASH PER DAY 64 GAL/BACKWASH/DAY

WATER CONDITIONER SCHEMATIC AND DESIGN TABLES

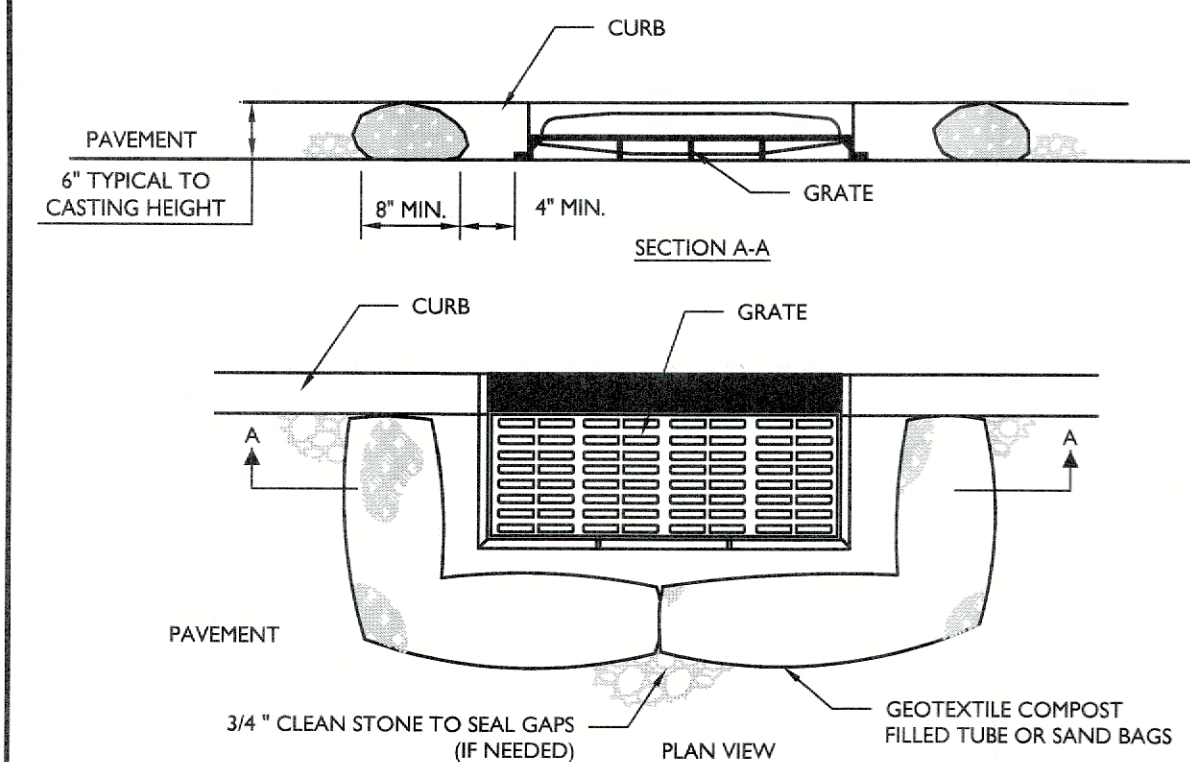
N.T.S



- NOTES:
1. GEOTEXTILE TO BE FASTENED SECURELY TO FENCE POST BY USING WIRE TIES OR HOG RINGS. USE 3 FASTENERS PER POST.
 2. SPlicing OF INDIVIDUAL ROLLS SHALL NOT OCCUR AT LOW POINTS.
 3. ALL SILT FENCE TO BE INSPECTED AND REMEDIAL MAINTENANCE PERFORMED BY THE CONTRACTOR AS REQUIRED. MATERIAL REMOVED WHEN "BULGES" DEVELOP IN THE SILT FENCE.
 4. WHEN TWO SECTIONS OF FILTER FABRIC ARE JOINED, THEY SHALL BE OVER-WRAPPED BY SIX INCHES AND FOLDED.
 5. FILTER FABRIC TO BE EITHER FILTER X, MIRAFI 100X, STABILINKA T140N, OR APPROVED EQUIVALENT.
 6. PREFABRICATED UNITS SHALL MEET THE MINIMUM REQUIREMENTS SHOWN.
 7. IF SPACE PERMITTED, LOCATE SILT FENCE 10' AWAY FROM TOE OF SLOPE IF THE SLOPE IS STEEPER THAN 1:1.

STANDARD SILT FENCE DETAIL

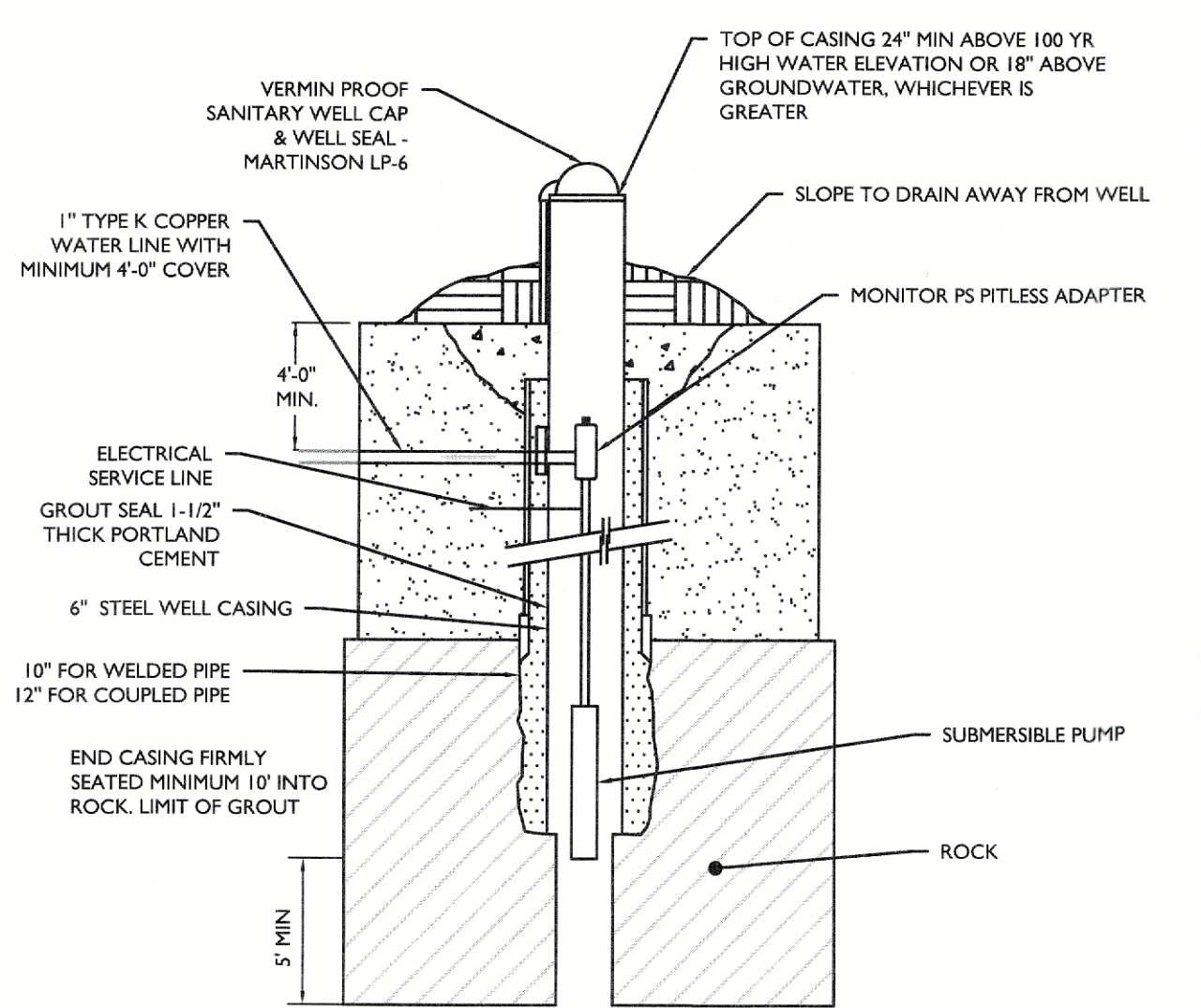
NOT TO SCALE MCNY-SOIL-EROS-1100



- NOTES:
1. GEOTEXTILE TO BE WOVEN POLYPROPYLENE PRODUCT, OR APPROVED EQUAL.
 2. FILLER CORE MAY BE SAND, COMPOST, OR PEA GRAVEL COMPLETELY CONTAINED WITHIN GEOTEXTILE SEAMS, CLOSED BY SUITABLE MECHANICAL MEANS TO PREVENT LEAKAGE OF FILLER.
 3. WHERE NO CURB IS PRESENT, BARRIER SHALL COMPLETELY ENCIRCLE THE DRAIN INLET.
 4. INLET GRATE OPENING IS TO BE KEPT CLEAR OF OBSTRUCTIONS AT ALL TIMES.
 5. THE PROTECTION DEVICE WILL BE DESIGNED TO CAPTURE OR FILTER RUNOFF FROM THE 1 YEAR/ 24 HOUR STORM EVENT AND SHALL SAFELY CONVEY HIGHER FLOWS DIRECTLY INTO THE STORM SEWER SYSTEM.
 6. OTHER METHODS THAT ACCOMPLISH THE PURPOSE OF STORM SEWER INLET PROTECTION MAY BE USED IF APPROVED BY THE PROJECT ENGINEER.
 7. INSPECTIONS SHALL BE FREQUENT. MAINTENANCE, REPAIR, AND REPLACEMENT SHALL BE MADE PROMPTLY AS NEEDED. THE BARRIER SHALL BE REMOVED WHEN THE AREA DRAINING TOWARDS THE INLET HAS REACHED FINAL STABILIZATION.

INLET PROTECTION (FILTER BARRIER) DETAIL

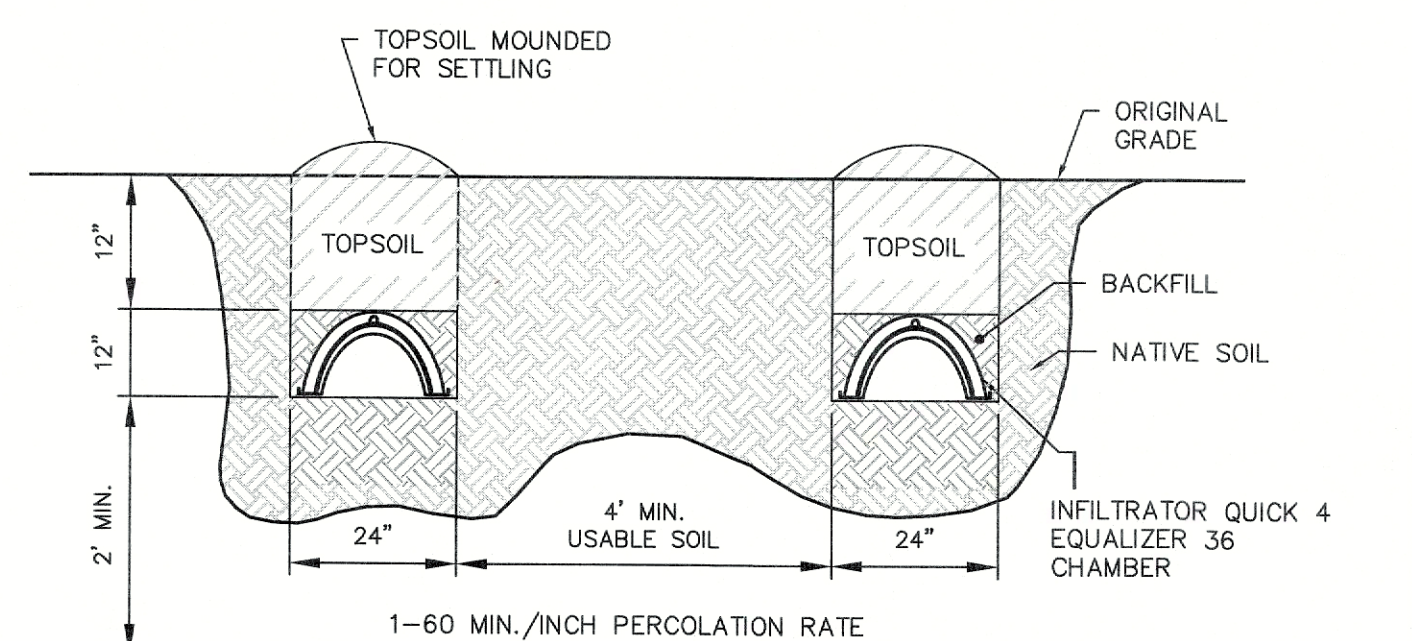
NOT TO SCALE MCNY-SOIL-EROS-1500



- NOTES:
1. WELL CONSTRUCTION TO CONFIRM TO NYS HEALTH DEPARTMENT RURAL WATER SUPPLY STANDARDS, AWWA A100 & THE 10 STATE MINIMUM YIELD 5 GPM.
 2. INSTALL TOP OF CASING MINIMUM 24" ABOVE ANY FLOOD LEVEL.
 3. ANTICIPATED WELL DEPTH TO BE 400' BASED ON NEARBY WELL DRILLING RECORDS RECEIVED THROUGH BUILDING DEPARTMENT FOIL OF 19 ANCHOR DRIVE.
 4. ANTICIPATED DEPTHS OF WELL CASINGS ARE 50' MIN AND THROUGH BEDROCK. DIAMETER OF DRILL HOLES TO BE 10" - 12" THROUGH OVERBURDEN, AND 6" THROUGH ROCK.

WELL DETAIL

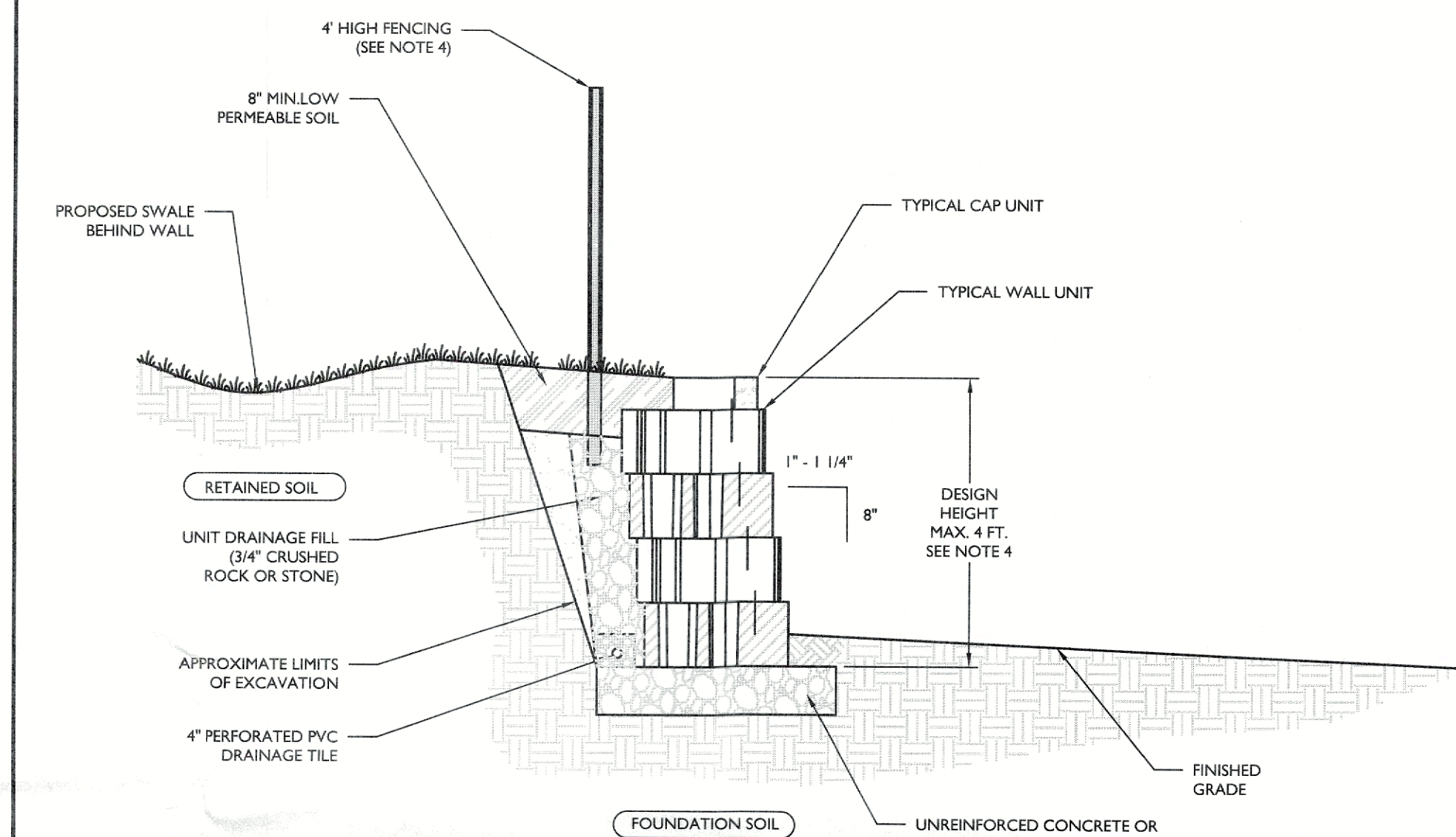
NOT FOR O.C.D.O.H. REVIEW & APPROVAL



- NOTES:
- 1) THE SYSTEM SHALL HAVE INSPECTION PORTS AT BOTH ENDS OF EACH ROW.
 - 2) TRENCH BOTTOM SHALL BE SLOPED AWAY FROM THE D-BOX AT 1/16" TO 1/32", WHILE PROVIDING THE 12" COVER. MINIMUM SEPARATION FROM THE TRENCH BOTTOM TO ROCK OR WATER SHALL ALSO BE MAINTAINED.
 - 3) BOTH ENDS OF ALL INFILTRATOR CHAMBERS TO BE CAPPED.
 - 4) TRENCHES SHALL NOT BE CONSTRUCTED IN WET SOIL.
 - 5) INFILTRATOR INSTALLATION INSTRUCTIONS MUST BE FOLLOWED WHEN INSTALLING TRENCHES.
 - 6) INFILTRATOR INSTALLATION INSTRUCTIONS MUST BE FOLLOWED WHEN INSTALLING TRENCHES.
 - 7) BACKFILL MATERIAL SHALL BE CLEAN RUN-OF-BANK SITE MATERIAL FREE OF DEBRIS & STONE LARGER THAN 2"

INGROUND SEPTIC TRENCH DETAIL

N.T.S

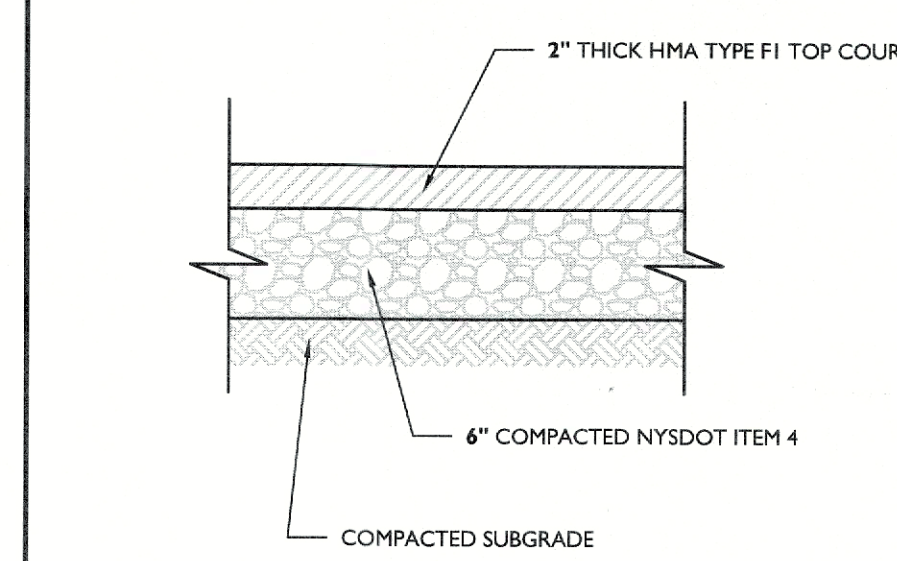


- NOTES:
1. THIS DETAIL IS A SCHEMATIC REPRESENTATION FOR MUNICIPAL AND/OR AGENCY APPROVALS AND IS NOT INTENDED TO BE USED FOR CONSTRUCTION.
 2. MODULAR CONCRETE BLOCK WALL TO BE INSTALLED IN ACCORDANCE WITH MANUFACTURER'S INSTRUCTIONS.
 3. A SAFETY BARRIER (FENCING) IS REQUIRED ON ALL WALLS WHERE THE WALL HEIGHT EXCEEDS 30". PLACEMENT AND INSTALLATION METHOD OF THE PROPOSED FENCING TO BE IN ACCORDANCE WITH MANUFACTURER'S SPECIFICATIONS.
 4. RETAINING WALLS IN EXCESS OF 4' MAX HEIGHT MUST BE DESIGNED AND DETAILED BY A NEW YORK STATE LICENSED PROFESSIONAL ENGINEER.

TYPICAL GRAVITY WALL SECTION DETAIL

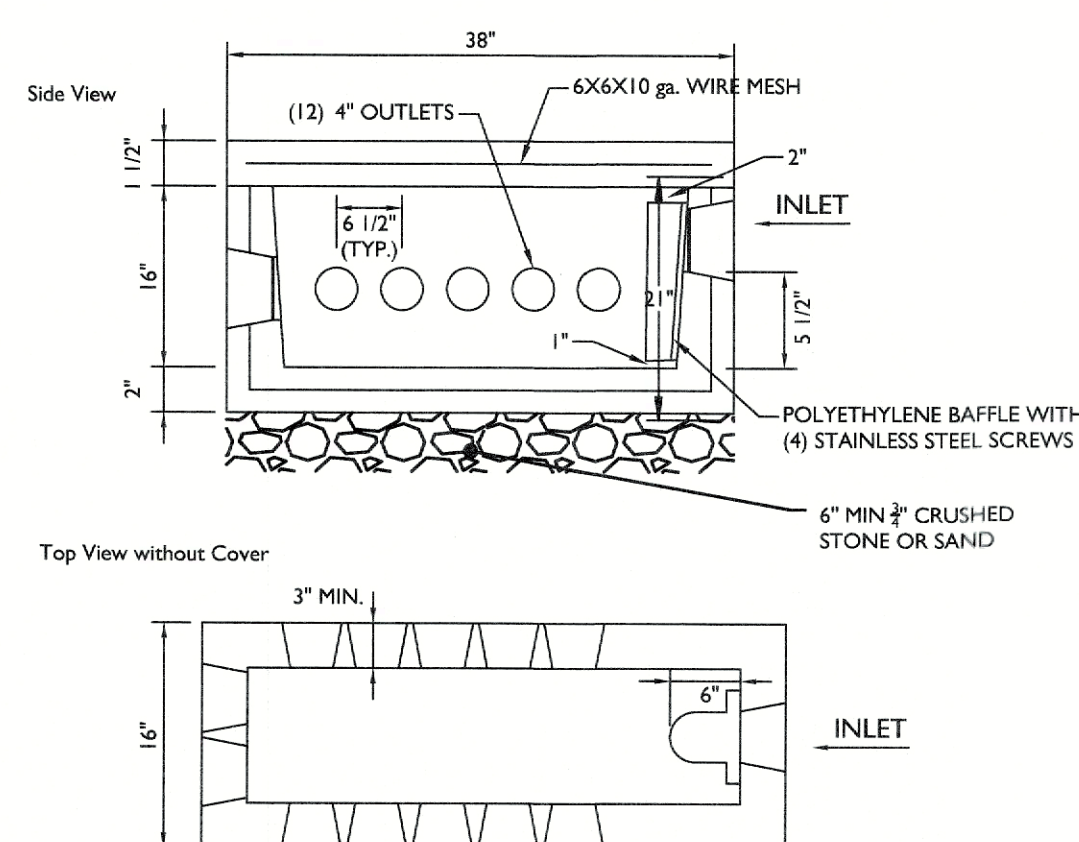
NOT FOR O.C.D.O.H. REVIEW & APPROVAL

NOT TO SCALE MCNY-SITE-WALL-1000



ASPHALT DRIVEWAY PAVEMENT DETAIL

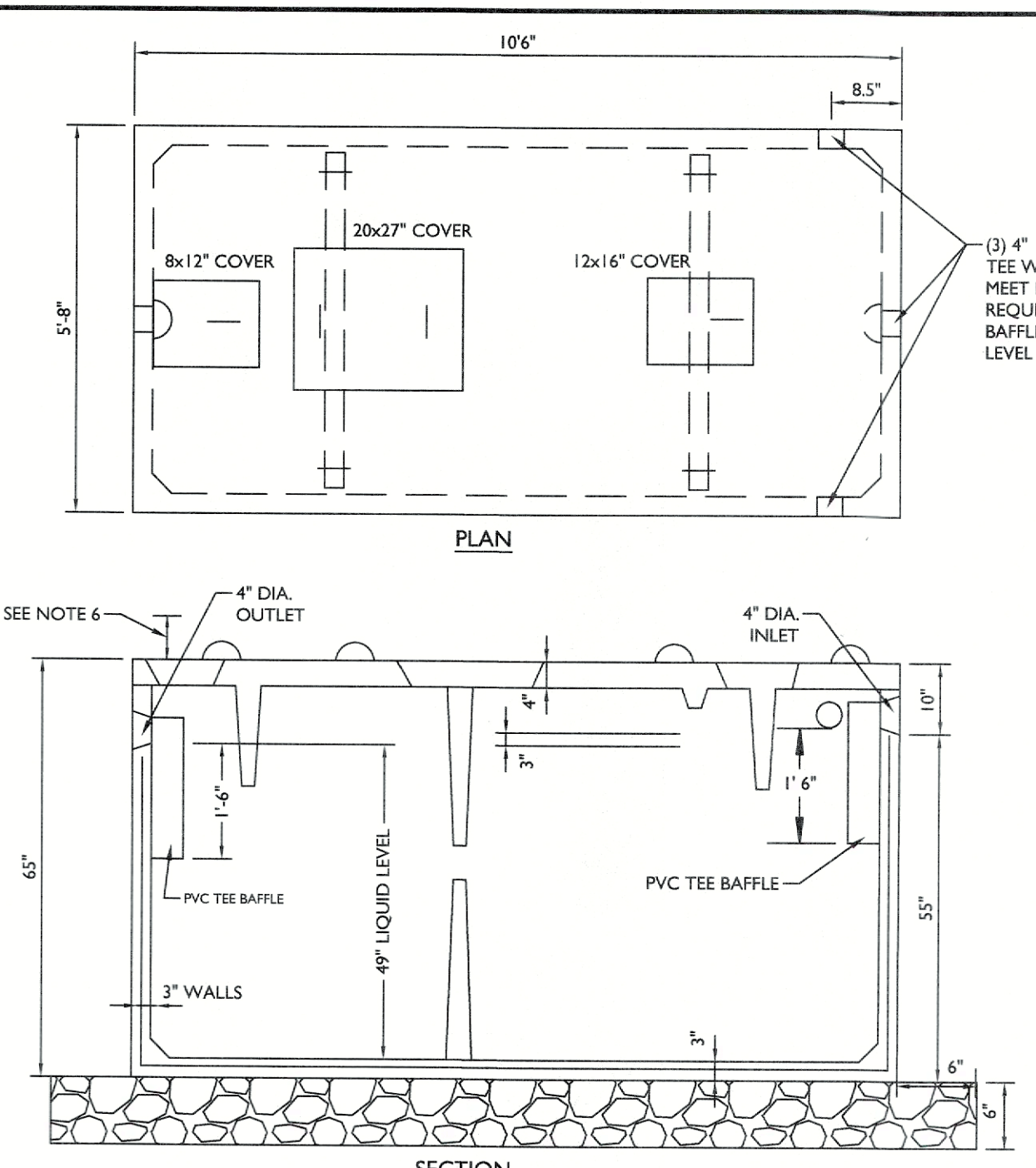
NOT TO SCALE MCNY-SITE-PVMT-1200



- NOTE:
1. DISTRIBUTION BOX TO BE WOODARDS CONCRETE MODEL DB-12.
 2. INLET AND OUTLETS ARE KNOCKOUTS.
 3. BEDDING TO BE 12 INCHES MINIMUM OF CLEAN SAND, OR PEA GRAVEL.
 4. MAXIMUM COVER OVER DISTRIBUTION BOX TO BE 12 INCHES.
 5. THE OUTLET INVERTS MUST BE AT SAME ELEVATION AND SPEED LEVELER FLOW EQUALIZERS MUST BE USED ON ALL OUTLETS.
 6. INLET BAFFLE TO BE INSTALLED IN FIELD PER MANUFACTURER GUIDELINES. (AT MINIMUM BAFFLE TO EXTEND VERTICALLY TO INLET CENTERLINE AND LATERALLY 4" FROM INLET.)
 7. DISTRIBUTION BOXES SHOULD BE INSPECTED ANNUALLY TO ASSURE THAT THEY ARE LEVEL AND OPERATING PROPERLY.

12 OUTLET DISTRIBUTION BOX

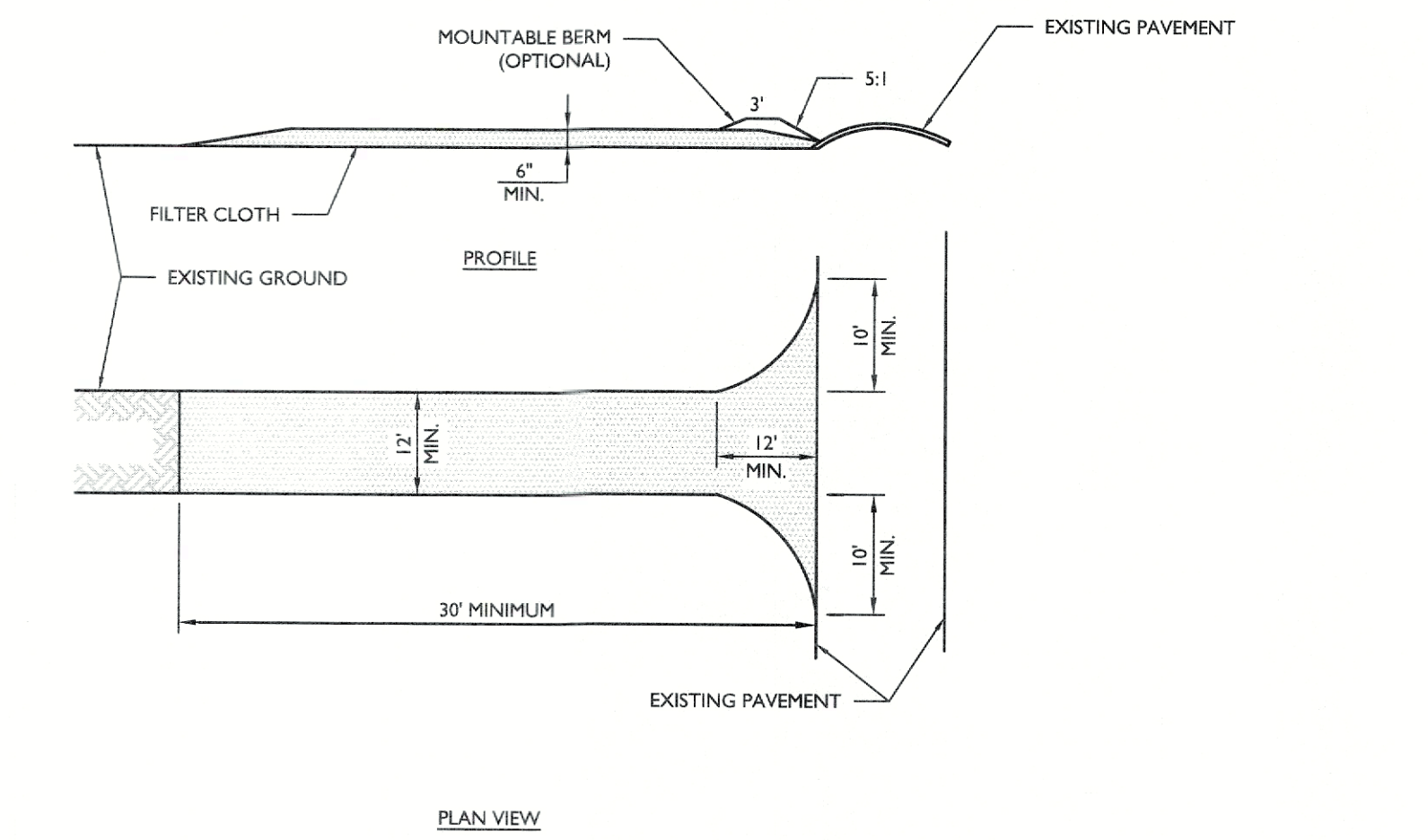
NOT TO SCALE



- NOTES:
1. TANK IS 4000 PSI CONCRETE - STEEL REINFORCEMENT, 6"x6"x10 GA. STEEL WIRE MESH (S.W.M.); AIR ENTRAINMENT: 6%.
 2. TANK IS TO BE MANUFACTURED BY WOODARDS CONCRETE PRODUCTS, INC. OR APPROVED EQUAL.
 3. CONSTRUCTION JOINT - BUTYL RUBBER SEALANT OR APPROVED EQUAL.
 4. BEDDING TO BE A MINIMUM OF 6" OF WASHED AGGREGATE 3/4" TO 1-1/2".
 5. TANK TO BE SET LEVEL.
 6. 12" MAXIMUM GROUND COVER OVER TANK.
 7. ALL CONNECTIONS MUST BE WATERTIGHT.
 8. SEPTIC TANK SHOULD BE INSPECTED ANNUALLY & PUMPED EVERY 2-3 YEARS.

1,500 GALLON PRECAST CONC. SEPTIC TANK DETAIL

NOT TO SCALE

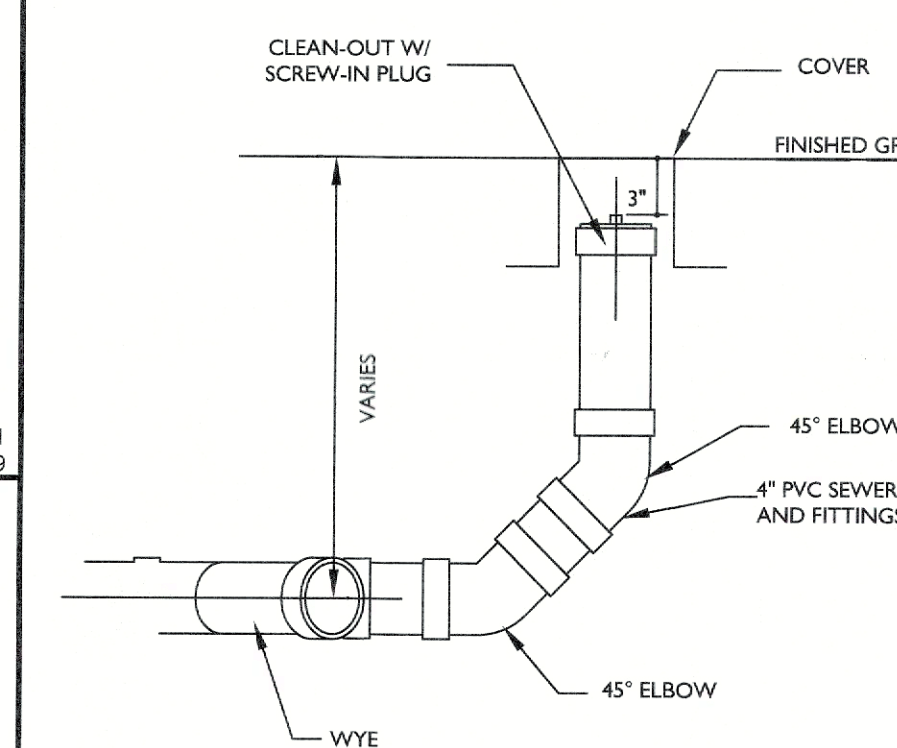


- NOTES:
1. STONE SIZE - USE 2" STONE, OR RECLAIMED OR RECYCLED CONCRETE EQUIVALENT. LENGTH: NOT LESS THAN 50 FEET. THICKNESS: NOT LESS THAN (6) INCHES.
 2. WIDTH - 24"
 3. FILTER CLOTH - WILL BE PLACED OVER THE ENTIRE AREA PRIOR TO PLACING OF STONE.
 4. SURFACE WATER - ALL SURFACE WATER FLOWING OR DIVERTED TOWARD CONSTRUCTION ENTRANCES SHALL BE PIPED ACROSS THE ENTRANCE. IF PIPING IS IMPRACTICAL A MOUNTING BERM WITH 5:1 SLOPES WILL BE PERMITTED.
 5. MAINTENANCE - THE ENTRANCE SHALL BE MAINTAINED IN A CONDITION WHICH WILL PREVENT TRACKING OR FLOWING OF SEDIMENT ONTO PUBLIC RIGHTS-OF-WAY. ALL SEDIMENT SPILLED, DROPPED, WASHED OR TRACKED ONTO PUBLIC RIGHTS-OF-WAY MUST BE REMOVED IMMEDIATELY.
 6. WHEN WASHING IS REQUIRED, IT SHALL BE DONE ON AN AREA STABILIZED WITH STONE AND WHICH DRAINS INTO AN APPROVED SEDIMENT TRAPPING DEVICE. PERIODIC INSPECTION AND NEEDED MAINTENANCE SHALL BE PROVIDED BY THE CONTRACTOR AS REQUIRED.

STABILIZED CONSTRUCTION ENTRANCE DETAIL

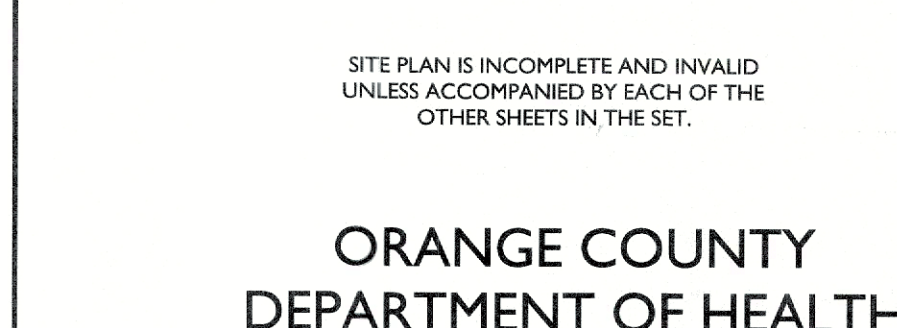
NOT FOR O.C.D.O.H. REVIEW & APPROVAL

NOT TO SCALE MCNY-SOIL-EROS-1000



CLEANOUT PROTECTION BOX DETAIL

NOT TO SCALE MCNY-LITIL-SSWR-1600



ORANGE COUNTY DEPARTMENT OF HEALTH

REV	DATE	DESCRIPTION
1	03/10/22	REVISED PER SEPTIC DESIGN FOR O.C.D.O.H. SUBMISSION
2	08/08/22	REVISED PER O.C.D.O.H. COMMENTS.
3	09/01/22	REVISED PER O.C.D.O.H. COMMENTS.
4	10/06/22	REVISED FOR 5' BEDROOM SEPTIC DESIGN AND PER UPDATED BUILDING DEPT FOOTPRINT.

UNAUTHORIZED ALTERATION OR ADDITION TO A PLAN BEARING THE SEAL OF A LICENSED PROFESSIONAL ENGINEER IS A VIOLATION OF ARTICLE 145, SECTION 7209, SUB-DIVISION 2 OF THE NEW YORK STATE EDUCATION LAW.

Cory D. Robinson
Cory Daniel Robinson
NEW YORK LICENSED PROFESSIONAL ENGINEER
LICENSE NUMBER: 103788
COLLIERS ENGINEERING & DESIGN CT, P.C.
N.Y. C.O.A.#: 0017609

PLOT PLAN
FOR
JOHN DEMARCO ANCHORAGE LOT 17

SECTION 121
BLOCK 1
LOT 17
TOWN OF NEWBURGH
ORANGE COUNTY
NEW YORK STATE

Colliers NEWBURGH
555 Hudson Valley Avenue
Suite 101
New Windsor, NY 12553
Phone: 845.564.4495
COLLIERS ENGINEERING & DESIGN CT,
P.C. DOING BUSINESS AS MASER
CONSULTING ENGINEERING & LAND SURVEYING

SCALE:	DATE:	DRAWN BY:	CHECKED BY:
AS SHOWN	12/07/2021	MAS	CDR

PROJECT NUMBER: 060010071
DRAWING NAME: C-DTL5

SHEET TITLE: **SITE DETAILS**

SHEET NUMBER: 3 of 3