



McGOEY, HAUSER and EDSALL  
CONSULTING ENGINEERS D.P.C.

MARK J. EDSALL, P.E., P.P. (NY, NJ & PA)  
MICHAEL W. WEEKS, P.E. (NY, NJ & PA)  
MICHAEL J. LAMOREAUX, P.E. (NY, NJ, PA, VT, VA & CT)  
PATRICK J. HINES  
LYLE R. SHUTE, P.E. LEED-AP (NY, NJ, PA)

Main Office  
33 Airport Center Drive  
Suite 202  
New Windsor, New York 12553

(845) 567-3100  
fax: (845) 567-3232  
e-mail: [mheny@mhepc.com](mailto:mheny@mhepc.com)

Principal Emeritus:  
RICHARD D. McGOEY, P.E. (NY & PA)  
WILLIAM J. HAUSER, P.E. (NY, NJ & PA)

**TOWN OF NEWBURGH  
PLANNING BOARD  
TECHNICAL REVIEW COMMENTS**

**PROJECT: BJ'S WHOLESALE CLUB SIGNAGE APPLICATION/ARB**  
**PROJECT NO.: 19-07**  
**PROJECT LOCATION: SECTION 97, BLOCK 2, LOT 44, 46.2 & 45**  
**REVIEW DATE: 28 FEBRUARY 2020**  
**MEETING DATE: 5 MARCH 2020**  
**PROJECT REPRESENTATIVE: MASER CONSULTING, P.A.**

1. The project is before the board for review of the comprehensive sign package in accordance with Section 185-14 Signs and 185-14.1 Shopping Center Signage. Both sections of the code are applicable to the signage review.
2. The electronic sign is subject to a Special Use Permit approval. Special Use Permits require holding a public hearing.
3. Orange County Planning Department review of the Special Use Permit located along the State Highway is required.
4. The Town of Newburgh Codes Department is reviewing the signage with regard to compliance with the sign ordinance regarding sizes.
5. While the Board is reviewing the signage for BJ's, the signage for the bank and the auto dealership are also subject to review. Each of these facilities has their signage in place with no proposed changes.

Respectfully submitted,

***McGoey, Hauser and Edsall  
Consulting Engineers, D.P.C.***

---

Patrick J. Hines  
Principal

PJH/jc

• Regional Office • 111 Wheatfield Drive • Suite 1 • Milford, Pennsylvania 18337 • 570-296-2765 •



**GDPBJ, LLC**

c/o Goddard Development Partners  
P.O. Box 55  
145 Otterkill Road  
Mountainville, NY 10953  
Tel.: 845-534-0100  
Fax: 845-534-0101

February 18, 2020

~~Via FedEx Overnight~~ *HAND DELIVER*

Patrick J. Hines  
McGoey, Hauser and Edsall  
Consulting Engineers P.C.  
33 Airport Drive  
Suite 202  
New Windsor, NY 12553

Re: BJs Newburgh – Sign Package Review  
GDPBJ, LLC

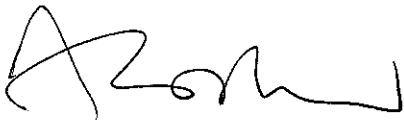
Dear Mr. Hines,

Enclosed please find two (2) copies of the BJs Newburgh Sign Application for your review as a Consultant to the Town of Newburgh Planning Board.

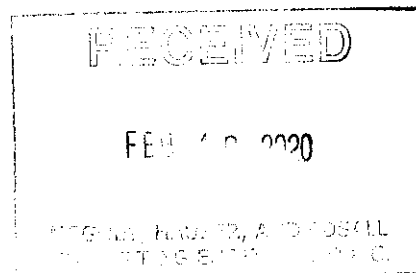
Please feel free to contact me with any questions or comments.

Many thanks.

Very truly yours,



Adrian Goddard



# GALAXY® GS6 15.85 MM PRODUCT SPECIFICATIONS

The GS6 is the best full-feature, high-quality Galaxy series yet. This product provides users a display that runs outstanding graphics and animations using the best contrast in the industry. The 15.85 mm pixel pitch is the highest resolution 16 mm LED display in the industry.

## 15.85 MM TECHNICAL SPECIFICATIONS

### Character Height:

4.4" (7 pixel font)

### Line Spacing:

15.85 mm (0.62")

### Pixel Configuration:

Monochrome: 1 red or 1 amber

RGB: 1 red, 1 green, 1 blue

### Maximum Brightness:

Monochrome red: 4,500 nits

Monochrome amber: 6,000 nits

RGB: 12,000 nits

### Monochrome Color Capability:

4,096 shades of red or amber

### Full Color Capability:

RGB: 281 trillion colors

### Optimal Viewing Angle:

140 degrees horizontal x 70 degrees vertical

### Readability Angle:

160 degrees horizontal x 90 degrees vertical

### Min Viewing Distance:

37'

## PRODUCT FEATURES

- All sealed components
- Quick connects
- Mounting clips
- High-contrast louvers
- Redundant module signal
- Large sections for fast installation
- Front ventilation on displays less than seven feet tall
- No spreader beam required for displays greater than seven feet tall
- Same module size and cabinet size for all pixel pitches
- Single-step module removal
- Shallow cabinet depth
- Narrow cabinet borders

## MODEL NUMBER GUIDE

GS6	-	100	x	250	-	15.85	-	RGB	-	SF
Series		Lines High		Columns Wide		Line Spacing		LED Color Red, Amber, or RGB		Single Face or Two View



## GS6 SERIES SPECIFICATIONS

### Estimated LED Lifetime:

100,000+ hours

### Contrast Enhancement:

Non-reflective black louvers and module face grooves disperse light

### Message Capability:

Text, graphics, logos, basic animation, video clips, multiple font styles, and sizes

### Control Software:

Venus® Control Suite

### Power:

120, 120/240 VAC Single Phase

### Display Dimming:

64 levels (Automatic, scheduled or manual control)

### Communication Options:

Ethernet Fiber Optic, Ethernet Bridge Radio, Remote Cellular, Ethernet CAT5

### Operating Temperature:

-40°F to 120°F with 99% RH non-condensing

### Compliance Information:

UL and cUL Listed, UL-Energy Verified, FCC compliance

## DISPLAY CONFIGURATIONS



**Single-face (SF)**  
Available in all sizes



**Two-view (2V)**  
Available in all sizes

# GALAXY® GS6 15.85 MM PRODUCT SPECIFICATIONS

Lines x Columns	Sections/Ventilated	Cabinet Dimensions Feet-Inches		Cabinet Dimensions Meters		Cabinet Square Feet (Square Meters)	Active Area Square Feet (Square Meters)	Cabinet Weight Pounds (Kilograms)	Lines/Characters per line	Character Height	Maximum Watts		
		H x W x D	H x W x D	H x W x D	H x W x D						Amber	Red	RGB
20x100	Sing/Ft	17" x 5'6" x 5"	0.47 x 1.67 x 0.13	8.4 (0.8)	5.5 (0.6)	65 (30)	5.5 (0.6)	65 (30)	2/20	4"-12"	230	230	305
20x125	Sing/Ft	17" x 6'9" x 5"	0.47 x 2.06 x 0.13	10.4 (1.0)	6.8 (0.8)	75 (35)	6.8 (0.8)	75 (35)	2/25	4"-12"	275	275	370
20x150	Sing/Ft	17" x 8'1" x 5"	0.47 x 2.46 x 0.13	12.4 (1.2)	8.2 (1.0)	90 (41)	8.2 (1.0)	90 (41)	2/30	4"-12"	320	320	345
20x175	Sing/Ft	17" x 9'5" x 5"	0.47 x 2.85 x 0.13	14.4 (1.3)	9.5 (1.1)	105 (48)	9.5 (1.1)	105 (48)	2/35	4"-12"	365	365	500
20x200	Sing/Ft	17" x 10'8" x 5"	0.47 x 3.25 x 0.13	16.4 (1.5)	10.9 (1.3)	120 (55)	10.9 (1.3)	120 (55)	2/40	4"-12"	405	405	565
20x225	Sing/Ft	17" x 12'0" x 5"	0.47 x 3.65 x 0.13	18.4 (1.7)	12.2 (1.4)	135 (62)	12.2 (1.4)	135 (62)	2/45	4"-12"	450	450	630
20x250	Sing/Ft	17" x 13'3" x 5"	0.47 x 4.04 x 0.13	20.4 (1.9)	13.6 (1.6)	150 (69)	13.6 (1.6)	150 (69)	2/50	4"-12"	495	495	695
20x275	Sing/Ft	17" x 14'7" x 5"	0.47 x 4.44 x 0.13	22.4 (2.1)	14.9 (1.8)	165 (75)	14.9 (1.8)	165 (75)	2/55	4"-12"	540	540	755
20x300	Sing/Ft	17" x 15'11" x 5"	0.47 x 4.84 x 0.13	24.4 (2.3)	16.3 (1.9)	180 (82)	16.3 (1.9)	180 (82)	2/60	4"-12"	585	585	820
20x325	Sing/Ft	17" x 17'2" x 5"	0.47 x 5.23 x 0.13	26.4 (2.5)	17.6 (2.1)	195 (89)	17.6 (2.1)	195 (89)	2/65	4"-12"	630	630	885
20x350	Sing/Ft	17" x 18'6" x 5"	0.47 x 5.63 x 0.13	28.4 (2.6)	19.0 (2.2)	205 (93)	19.0 (2.2)	205 (93)	2/70	4"-12"	675	675	950
20x375	Sing/Ft	17" x 19'9" x 5"	0.47 x 6.02 x 0.13	30.4 (2.8)	20.3 (2.4)	220 (100)	20.3 (2.4)	220 (100)	2/75	4"-12"	720	720	1015
20x400	Sing/Ft	17" x 21'1" x 5"	0.47 x 6.42 x 0.13	32.4 (3.0)	21.7 (2.6)	235 (107)	21.7 (2.6)	235 (107)	2/80	4"-12"	765	765	1080
20x425	Sing/Ft	17" x 22'5" x 5"	0.47 x 6.82 x 0.13	34.4 (3.2)	23.0 (2.7)	250 (114)	23.0 (2.7)	250 (114)	2/85	4"-12"	810	810	1145
20x450	Sing/Ft	17" x 23'8" x 5"	0.47 x 7.21 x 0.13	36.4 (3.4)	24.4 (2.9)	265 (121)	24.4 (2.9)	265 (121)	2/90	4"-12"	855	855	1205
20x475	Sing/Ft	17" x 25'0" x 5"	0.47 x 7.61 x 0.13	38.4 (3.6)	25.7 (3.0)	280 (128)	25.7 (3.0)	280 (128)	2/95	4"-12"	900	900	1270
20x500	Sing/Ft	17" x 26'3" x 5"	0.47 x 8.01 x 0.13	40.4 (3.8)	27.1 (3.2)	295 (134)	27.1 (3.2)	295 (134)	2/100	4"-12"	955	955	1335
40x75	Sing/Ft	27" x 4'2" x 5"	0.79 x 1.27 x 0.13	10.7 (1.0)	8.2 (0.8)	80 (37)	8.2 (0.8)	80 (37)	5/15	4"-24"	255	255	360
40x100	Sing/Ft	27" x 5'6" x 5"	0.79 x 1.67 x 0.13	14.1 (1.3)	10.9 (1.1)	105 (48)	10.9 (1.1)	105 (48)	5/20	4"-24"	305	305	465
40x125	Sing/Ft	27" x 6'9" x 5"	0.79 x 2.06 x 0.13	17.4 (1.6)	13.6 (1.4)	130 (59)	13.6 (1.4)	130 (59)	5/25	4"-24"	370	370	570
40x150	Sing/Ft	27" x 8'1" x 5"	0.79 x 2.46 x 0.13	20.8 (1.9)	16.3 (1.7)	150 (69)	16.3 (1.7)	150 (69)	5/30	4"-24"	435	435	670
40x175	Sing/Ft	27" x 9'5" x 5"	0.79 x 2.85 x 0.13	24.1 (2.3)	19.0 (2.0)	175 (80)	19.0 (2.0)	175 (80)	5/35	4"-24"	500	500	775
40x200	Sing/Ft	27" x 10'8" x 5"	0.79 x 3.25 x 0.13	27.5 (2.6)	21.7 (2.2)	200 (91)	21.7 (2.2)	200 (91)	5/40	4"-24"	565	565	880
40x225	Sing/Ft	27" x 12'0" x 5"	0.79 x 3.65 x 0.13	30.8 (2.9)	24.4 (2.5)	225 (103)	24.4 (2.5)	225 (103)	5/45	4"-24"	630	630	980
40x250	Sing/Ft	27" x 13'3" x 5"	0.79 x 4.04 x 0.13	34.2 (3.2)	27.1 (2.8)	250 (114)	27.1 (2.8)	250 (114)	5/50	4"-24"	695	695	1085
40x275	Sing/Ft	27" x 14'7" x 5"	0.79 x 4.44 x 0.13	37.5 (3.5)	29.8 (3.1)	275 (125)	29.8 (3.1)	275 (125)	5/55	4"-24"	755	755	1190
40x300	Sing/Ft	27" x 15'11" x 5"	0.79 x 4.84 x 0.13	40.9 (3.8)	32.5 (3.4)	295 (134)	32.5 (3.4)	295 (134)	5/60	4"-24"	820	820	1295
40x325	Sing/Ft	27" x 17'2" x 5"	0.79 x 5.23 x 0.13	44.2 (4.1)	35.2 (3.6)	320 (146)	35.2 (3.6)	320 (146)	5/65	4"-24"	885	885	1395
40x350	Sing/Ft	27" x 18'6" x 5"	0.79 x 5.63 x 0.13	47.6 (4.4)	37.9 (3.9)	345 (157)	37.9 (3.9)	345 (157)	5/70	4"-24"	950	950	1500
40x375	Sing/Ft	27" x 19'9" x 5"	0.79 x 6.02 x 0.13	51.0 (4.8)	40.6 (4.2)	370 (168)	40.6 (4.2)	370 (168)	5/75	4"-24"	1015	1015	1605
40x400	Sing/Ft	27" x 21'1" x 5"	0.79 x 6.42 x 0.13	54.3 (5.1)	43.3 (4.5)	395 (180)	43.3 (4.5)	395 (180)	5/80	4"-24"	1080	1080	1705
40x425	Sing/Ft	27" x 22'5" x 5"	0.79 x 6.82 x 0.13	57.7 (5.4)	46.0 (4.8)	420 (191)	46.0 (4.8)	420 (191)	5/85	4"-24"	1145	1145	1810
40x450	Sing/Ft	27" x 23'8" x 5"	0.79 x 7.21 x 0.13	61.0 (5.7)	48.7 (5.0)	440 (200)	48.7 (5.0)	440 (200)	5/90	4"-24"	1205	1205	1915
40x475	Sing/Ft	27" x 25'0" x 5"	0.79 x 7.61 x 0.13	64.4 (6.0)	51.4 (5.3)	465 (211)	51.4 (5.3)	465 (211)	5/95	4"-24"	1270	1270	2020
40x500	Sing/Ft	27" x 26'3" x 5"	0.79 x 8.01 x 0.13	67.7 (6.3)	54.1 (5.6)	490 (223)	54.1 (5.6)	490 (223)	5/100	4"-24"	1335	1335	2120
60x75	Sing/Ft	3'8" x 4'2" x 5"	1.11 x 1.27 x 0.13	15.0 (1.4)	12.2 (1.2)	110 (50)	12.2 (1.2)	110 (50)	7/15	4"-37"	300	300	480
60x100	Sing/Ft	3'8" x 5'6" x 5"	1.11 x 1.67 x 0.13	19.7 (1.9)	16.3 (1.6)	145 (66)	16.3 (1.6)	145 (66)	7/20	4"-37"	385	385	620
60x125	Sing/Ft	3'8" x 6'9" x 5"	1.11 x 2.06 x 0.13	24.4 (2.3)	20.3 (2.0)	180 (82)	20.3 (2.0)	180 (82)	7/25	4"-37"	470	470	765
60x150	Sing/Ft	3'8" x 8'1" x 5"	1.11 x 2.46 x 0.13	29.1 (2.7)	24.4 (2.4)	210 (96)	24.4 (2.4)	210 (96)	7/30	4"-37"	555	555	905
60x175	Sing/Ft	3'8" x 9'5" x 5"	1.11 x 2.85 x 0.13	33.8 (3.2)	28.4 (2.8)	245 (112)	28.4 (2.8)	245 (112)	7/35	4"-37"	640	640	1050
60x200	Sing/Ft	3'8" x 10'8" x 5"	1.11 x 3.25 x 0.13	38.6 (3.6)	32.5 (3.2)	280 (128)	32.5 (3.2)	280 (128)	7/40	4"-37"	720	720	1195
60x225	Sing/Ft	3'8" x 12'0" x 5"	1.11 x 3.65 x 0.13	43.3 (4.1)	36.6 (3.6)	315 (143)	36.6 (3.6)	315 (143)	7/45	4"-37"	805	805	1335
60x250	Sing/Ft	3'8" x 13'3" x 5"	1.11 x 4.04 x 0.13	48.0 (4.5)	40.6 (4.0)	350 (159)	40.6 (4.0)	350 (159)	7/50	4"-37"	890	890	1480
60x275	Sing/Ft	3'8" x 14'7" x 5"	1.11 x 4.44 x 0.13	52.7 (4.9)	44.7 (4.4)	380 (173)	44.7 (4.4)	380 (173)	7/55	4"-37"	975	975	1620
60x300	Sing/Ft	3'8" x 15'11" x 5"	1.11 x 4.84 x 0.13	57.4 (5.4)	48.7 (4.8)	415 (189)	48.7 (4.8)	415 (189)	7/60	4"-37"	1055	1055	1765
60x325	Sing/Ft	3'8" x 17'2" x 5"	1.11 x 5.23 x 0.13	62.1 (5.8)	52.8 (5.2)	450 (205)	52.8 (5.2)	450 (205)	7/65	4"-37"	1140	1140	1905
60x350	Sing/Ft	3'8" x 18'6" x 5"	1.11 x 5.63 x 0.13	66.8 (6.2)	56.8 (5.6)	485 (220)	56.8 (5.6)	485 (220)	7/70	4"-37"	1225	1225	2050
60x375	Sing/Ft	3'8" x 19'9" x 5"	1.11 x 6.02 x 0.13	71.5 (6.7)	60.9 (6.0)	515 (234)	60.9 (6.0)	515 (234)	7/75	4"-37"	1310	1310	2195
60x400	Sing/Ft	3'8" x 21'1" x 5"	1.11 x 6.42 x 0.13	76.2 (7.1)	64.9 (6.4)	550 (250)	64.9 (6.4)	550 (250)	7/80	4"-37"	1395	1395	2335
60x425	Sing/Ft	3'8" x 22'5" x 5"	1.11 x 6.82 x 0.13	80.9 (7.6)	69.0 (6.8)	585 (266)	69.0 (6.8)	585 (266)	7/85	4"-37"	1475	1475	2480
60x450	Sing/Ft	3'8" x 23'8" x 5"	1.11 x 7.21 x 0.13	85.6 (8.0)	73.1 (7.2)	620 (282)	73.1 (7.2)	620 (282)	7/90	4"-37"	1560	1560	2620
60x475	Sing/Ft	3'8" x 25'0" x 5"	1.11 x 7.61 x 0.13	90.3 (8.4)	77.1 (7.6)	655 (298)	77.1 (7.6)	655 (298)	7/95	4"-37"	1645	1645	2765
60x500	Sing/Ft	3'8" x 26'3" x 5"	1.11 x 8.01 x 0.13	95.0 (8.9)	81.2 (8.0)	685 (311)	81.2 (8.0)	685 (311)	7/100	4"-37"	1730	1730	2905
80x75	Sing/Ft	4'8" x 4'2" x 5"	1.43 x 1.27 x 0.13	19.3 (1.8)	16.3 (1.6)	140 (64)	16.3 (1.6)	140 (64)	10/15	4"-49"	360	360	595
80x100	Sing/Ft	4'8" x 5'6" x 5"	1.43 x 1.67 x 0.13	25.4 (2.4)	21.7 (2.1)	185 (84)	21.7 (2.1)	185 (84)	10/20	4"-49"	465	465	780
80x125	Sing/Ft	4'8" x 6'9" x 5"	1.43 x 2.06 x 0.13	31.5 (2.9)	27.1 (2.6)	230 (105)	27.1 (2.6)	230 (105)	10/25	4"-49"	570	570	960
80x150	Sing/Ft	4'8" x 8'1" x 5"	1.43 x 2.46 x 0.13	37.5 (3.5)	32.5 (3.1)	275 (125)	32.5 (3.1)	275 (125)	10/30	4"-49"	670	670	1145
80x175	Sing/Ft	4'8" x 9'5" x 5"	1.43 x 2.85 x 0.13	43.6 (4.1)	37.9 (3.6)	315 (143)	37.9 (3.6)	315 (143)	10/35	4"-49"	775	775	1325
80x200	Sing/Ft	4'8" x 10'8" x 5"	1.43 x 3.25 x 0.13	49.6 (4.6)	43.3 (4.2)	360 (164)	43.3 (4.2)	360 (164)	10/40	4"-49"	880	880	1505
80x225	Sing/Ft	4'8" x 12'0" x 5"	1.43 x 3.65 x 0.13	55.7 (5.2)	48.7 (4.7)	405 (184)	48.7 (4.7)	405 (184)	10/45	4"-49"	980	980	1690
80x250	Sing/Ft	4'8" x 13'3" x 5"	1.43 x 4.04 x 0.13	61.7 (5.8)	54.1 (5.2)	445 (202)	54.1 (5.2)	445 (202)	10/50	4"-49"	1085	1085	1870
80x275	Sing/Ft	4'8" x 14'7" x 5"	1.43 x 4.44 x 0.13	67.8 (6.3)	59.5 (5.7)	490 (223)	59.5 (5.7)	490 (223)	10/55	4"-49"	1190	1190	2055
80x300	Sing/Ft	4'8" x 15'11" x 5"	1.43 x 4.84 x 0.13	73.9 (6.9)	64.9 (6.2)	535 (243)	64.9 (6.2)	535 (243)	10/60	4"-49"	1295	1295	2235
80x325	Sing/Ft	4'8" x 17'2" x 5"	1.43 x 5.23 x 0.13	79.9 (7.5)	70.4 (6.8)	580 (264)	70.4 (6.8)	580 (264)	10/65	4"-49"	1395	1395	2420
80x350	Sing/Ft	4'8" x 18'6" x 5"	1.43 x 5.63 x 0.13	86.0 (8.1)	75.8 (7.3)	620 (282)	75.8 (7.3)	620 (282)	10/70	4"-49"	1500	1500	2600
80x375	Sing/Ft	4'8" x 19'9" x 5"	1.43 x 6.02 x 0.13	92.0 (8.6)	81.2 (7.8)	665 (302)	81.2 (7.8)	665 (302)	10/75	4"-49"	1605	1605	2780
80x400	Sing/Ft	4'8" x 21'1" x 5"	1.43 x 6.42 x 0.13	98.1 (9.2)	86.6 (8.3)	710 (323)	86.6 (8.3)	710 (323)	10/80	4"-49"	1705	1705	2965

# GALAXY® GS6 15.85 MM PRODUCT SPECIFICATIONS

Lines x Columns	Sections/Ventilated	Cabinet Dimensions Feet-Inches H x W x D	Cabinet Dimensions Meters H x W x D	Cabinet Square Feet (Square Meters)	Active Area Square Feet (Square Meters)	Cabinet Weight Pounds (kilograms)	Lines/Characters per line	Character Height	Maximum Watts		
									Amber	Red	RGB
80x425	Sing/Ft	4'8" x 22'5" x 5"	1.43 x 6.82 x 0.13	104.2 (9.8)	92.0 (8.8)	750 (341)	10/85	4"-49"	1810	1810	3145
80x450	Sing/Ft	4'8" x 23'8" x 5"	1.43 x 7.21 x 0.13	110.2 (10.3)	97.4 (9.4)	795 (361)	10/90	4"-49"	1915	1915	3330
80x475	Sing/Ft	4'8" x 25'0" x 5"	1.43 x 7.61 x 0.13	116.3 (10.9)	102.8 (9.9)	840 (382)	10/95	4"-49"	2020	2020	3510
80x500	Sing/Ft	4'8" x 26'3" x 5"	1.43 x 8.01 x 0.13	122.3 (11.5)	108.2 (10.4)	885 (402)	10/100	4"-49"	2120	2120	3695
100x75	Sing/Ft	5'9" x 4'2" x 5"	1.74 x 1.27 x 0.13	23.7 (2.2)	20.3 (1.9)	175 (80)	12/15	4"-62"	420	420	790
100x100	Sing/Ft	5'9" x 5'6" x 5"	1.74 x 1.67 x 0.13	31.1 (2.9)	27.1 (2.6)	225 (103)	12/20	4"-62"	545	545	1035
100x125	Sing/Ft	5'9" x 6'9" x 5"	1.74 x 2.06 x 0.13	38.5 (3.6)	33.8 (3.2)	280 (128)	12/25	4"-62"	665	665	1280
100x150	Sing/Ft	5'9" x 8'1" x 5"	1.74 x 2.46 x 0.13	45.9 (4.3)	40.6 (3.8)	335 (152)	12/30	4"-62"	790	790	1530
100x175	Sing/Ft	5'9" x 9'5" x 5"	1.74 x 2.85 x 0.13	53.3 (5.0)	47.4 (4.5)	385 (175)	12/35	4"-62"	915	915	1775
100x200	Sing/Ft	5'9" x 10'8" x 5"	1.74 x 3.25 x 0.13	60.7 (5.7)	54.1 (5.1)	440 (200)	12/40	4"-62"	1035	1035	2020
100x225	Sing/Ft	5'9" x 12'0" x 5"	1.74 x 3.65 x 0.13	68.1 (6.4)	60.9 (5.8)	495 (225)	12/45	4"-62"	1160	1160	2270
100x250	Sing/Ft	5'9" x 13'3" x 5"	1.74 x 4.04 x 0.13	75.5 (7.0)	67.6 (6.4)	545 (248)	12/50	4"-62"	1280	1280	2515
100x275	Sing/Ft	5'9" x 14'7" x 5"	1.74 x 4.44 x 0.13	82.9 (7.7)	74.4 (7.0)	600 (273)	12/55	4"-62"	1405	1405	2760
100x300	Sing/Ft	5'9" x 15'11" x 5"	1.74 x 4.84 x 0.13	90.3 (8.4)	81.2 (7.7)	655 (298)	12/60	4"-62"	1530	1530	3005
100x325	Sing/Ft	5'9" x 17'2" x 5"	1.74 x 5.23 x 0.13	97.8 (9.1)	87.9 (8.3)	705 (320)	12/65	4"-62"	1650	1650	3255
100x350	Sing/Ft	5'9" x 18'6" x 5"	1.74 x 5.63 x 0.13	105.2 (9.8)	94.7 (9.0)	760 (345)	12/70	4"-62"	1775	1775	3500
100x375	Sing/Ft	5'9" x 19'9" x 5"	1.74 x 6.02 x 0.13	112.6 (10.5)	101.4 (9.6)	815 (370)	12/75	4"-62"	1900	1900	3745
100x400	Sing/Ft	5'9" x 21'1" x 5"	1.74 x 6.42 x 0.13	120.0 (11.2)	108.2 (10.2)	865 (393)	12/80	4"-62"	2020	2020	3995
100x425	Sing/Ft	5'9" x 22'5" x 5"	1.74 x 6.82 x 0.13	127.4 (11.9)	115.0 (10.9)	920 (418)	12/85	4"-62"	2145	2145	4240
100x450	Sing/Ft	5'9" x 23'8" x 5"	1.74 x 7.21 x 0.13	134.8 (12.5)	121.7 (11.5)	975 (443)	12/90	4"-62"	2270	2270	4485
100x475	Sing/Ft	5'9" x 25'0" x 5"	1.74 x 7.61 x 0.13	142.2 (13.2)	128.5 (12.2)	1025 (465)	12/95	4"-62"	2390	2390	4730
100x500	Sing/Ft	5'9" x 26'3" x 5"	1.74 x 8.01 x 0.13	149.6 (13.9)	135.2 (12.8)	1080 (490)	12/100	4"-62"	2515	2515	4980
120x75	Sing/Ft	6'9" x 4'2" x 5"	2.06 x 1.27 x 0.13	28.0 (2.6)	24.4 (2.4)	205 (93)	15/15	4"-74"	480	480	905
120x100	Sing/Ft	6'9" x 5'6" x 5"	2.06 x 1.67 x 0.13	36.7 (3.4)	32.5 (3.2)	265 (121)	15/20	4"-74"	620	620	1195
120x125	Sing/Ft	6'9" x 6'9" x 5"	2.06 x 2.06 x 0.13	45.5 (4.2)	40.6 (4.0)	330 (150)	15/25	4"-74"	765	765	1480
120x150	Sing/Ft	6'9" x 8'1" x 5"	2.06 x 2.46 x 0.13	54.3 (5.1)	48.7 (4.8)	395 (180)	15/30	4"-74"	905	905	1765
120x175	Sing/Ft	6'9" x 9'5" x 5"	2.06 x 2.85 x 0.13	63.0 (5.9)	56.8 (5.6)	455 (207)	15/35	4"-74"	1050	1050	2050
120x200	Sing/Ft	6'9" x 10'8" x 5"	2.06 x 3.25 x 0.13	71.8 (6.7)	64.9 (6.4)	520 (236)	15/40	4"-74"	1195	1195	2335
120x225	Sing/Ft	6'9" x 12'0" x 5"	2.06 x 3.65 x 0.13	80.5 (7.5)	73.1 (7.2)	580 (264)	15/45	4"-74"	1335	1335	2620
120x250	Sing/Ft	6'9" x 13'3" x 5"	2.06 x 4.04 x 0.13	89.3 (8.3)	81.2 (8.0)	645 (293)	15/50	4"-74"	1480	1480	2905
120x275	Sing/Ft	6'9" x 14'7" x 5"	2.06 x 4.44 x 0.13	98.1 (9.1)	89.3 (8.8)	710 (323)	15/55	4"-74"	1620	1620	3195
120x300	Sing/Ft	6'9" x 15'11" x 5"	2.06 x 4.84 x 0.13	106.8 (10.0)	97.4 (9.6)	770 (350)	15/60	4"-74"	1765	1765	3480
120x325	Sing/Ft	6'9" x 17'2" x 5"	2.06 x 5.23 x 0.13	115.6 (10.8)	105.5 (10.4)	835 (379)	15/65	4"-74"	1905	1905	3765
120x350	Sing/Ft	6'9" x 18'6" x 5"	2.06 x 5.63 x 0.13	124.4 (11.6)	113.6 (11.2)	900 (409)	15/70	4"-74"	2050	2050	4050
120x375	Sing/Ft	6'9" x 19'9" x 5"	2.06 x 6.02 x 0.13	133.1 (12.4)	121.7 (12.0)	960 (436)	15/75	4"-74"	2195	2195	4335
120x400	Sing/Ft	6'9" x 21'1" x 5"	2.06 x 6.42 x 0.13	141.9 (13.2)	129.8 (12.8)	1025 (465)	15/80	4"-74"	2335	2335	4620
120x425	Sing/Ft	6'9" x 22'5" x 5"	2.06 x 6.82 x 0.13	150.6 (14.0)	138.0 (13.6)	1085 (493)	15/85	4"-74"	2480	2480	4905
120x450	Sing/Ft	6'9" x 23'8" x 5"	2.06 x 7.21 x 0.13	159.4 (14.9)	146.1 (14.4)	1150 (522)	15/90	4"-74"	2620	2620	5195
120x475	Sing/Ft	6'9" x 25'0" x 5"	2.06 x 7.61 x 0.13	168.2 (15.7)	154.2 (15.2)	1215 (552)	15/95	4"-74"	2765	2765	5480
120x500	Sing/Ft	6'9" x 26'3" x 5"	2.06 x 8.01 x 0.13	176.9 (16.5)	162.3 (16.0)	1275 (579)	15/100	4"-74"	2905	2905	5765
140x100	Sing/Bk	7'10" x 5'9" x 11"	2.38 x 1.74 x 0.28	44.3 (4.1)	37.9 (3.7)	495 (225)	17/20	4"-87"	755	755	1355
140x125	Sing/Bk	7'10" x 7'0" x 11"	2.38 x 2.14 x 0.28	54.5 (5.1)	47.4 (4.6)	605 (275)	17/25	4"-87"	950	950	1700
140x150	Sing/Bk	7'10" x 8'4" x 11"	2.38 x 2.53 x 0.28	64.6 (6.0)	56.8 (5.5)	720 (327)	17/30	4"-87"	1150	1150	2050
140x175	Sing/Bk	7'10" x 9'8" x 11"	2.38 x 2.93 x 0.28	74.7 (7.0)	66.3 (6.4)	830 (377)	17/35	4"-87"	1300	1300	2350
140x200	Sing/Bk	7'10" x 10'11" x 11"	2.38 x 3.33 x 0.28	84.8 (7.9)	75.8 (7.4)	945 (429)	17/40	4"-87"	1500	1500	2700
140x225	Sing/Bk	7'10" x 12'3" x 11"	2.38 x 3.72 x 0.28	94.9 (8.9)	85.2 (8.3)	1055 (479)	17/45	4"-87"	1695	1695	3045
140x250	Sing/Bk	7'10" x 13'6" x 11"	2.38 x 4.12 x 0.28	105.0 (9.8)	94.7 (9.2)	1170 (531)	17/50	4"-87"	1845	1845	3345
140x275	Sing/Bk	7'10" x 14'10" x 11"	2.38 x 4.52 x 0.28	115.1 (10.8)	104.2 (10.1)	1280 (581)	17/55	4"-87"	2045	2045	3695
140x300	Sing/Bk	7'10" x 16'2" x 11"	2.38 x 4.91 x 0.28	125.3 (11.7)	113.6 (11.0)	1395 (633)	17/60	4"-87"	2240	2240	4040
140x325	Sing/Bk	7'10" x 17'5" x 11"	2.38 x 5.31 x 0.28	135.4 (12.6)	123.1 (12.0)	1505 (683)	17/65	4"-87"	2390	2390	4340
140x350	Sing/Bk	7'10" x 18'9" x 11"	2.38 x 5.7 x 0.28	145.5 (13.6)	132.5 (12.9)	1615 (733)	17/70	4"-87"	2590	2590	4690
140x375	Sing/Bk	7'10" x 20'0" x 11"	2.38 x 6.1 x 0.28	155.6 (14.5)	142.0 (13.8)	1730 (785)	17/75	4"-87"	2790	2790	5040
140x400	Sing/Bk	7'10" x 21'4" x 11"	2.38 x 6.5 x 0.28	165.7 (15.5)	151.5 (14.7)	1840 (835)	17/80	4"-87"	2940	2940	5340
140x425	Sing/Bk	7'10" x 22'8" x 11"	2.38 x 6.89 x 0.28	175.8 (16.4)	160.9 (15.6)	1955 (887)	17/85	4"-87"	3135	3135	5685
140x450	Sing/Bk	7'10" x 23'11" x 11"	2.38 x 7.29 x 0.28	185.9 (17.4)	170.4 (16.6)	2065 (937)	17/90	4"-87"	3335	3335	6035
140x475	Sing/Bk	7'10" x 25'3" x 11"	2.38 x 7.69 x 0.28	196.1 (18.3)	179.9 (17.5)	2180 (989)	17/95	4"-87"	3485	3485	6335
140x500	Sing/Bk	7'10" x 26'6" x 11"	2.38 x 8.08 x 0.28	206.2 (19.2)	189.3 (18.4)	2290 (1039)	17/100	4"-87"	3680	3680	6680
140x525	Sing/Bk	7'10" x 27'10" x 11"	2.38 x 8.48 x 0.28	216.3 (20.2)	198.8 (19.3)	2405 (1091)	17/105	4"-87"	3880	3880	7030
140x550	Sing/Bk	7'10" x 29'2" x 11"	2.38 x 8.87 x 0.28	226.4 (21.1)	208.3 (20.2)	2515 (1141)	17/110	4"-87"	4030	4030	7330
140x575	Sing/Bk	7'10" x 30'5" x 11"	2.38 x 9.27 x 0.28	236.5 (22.1)	217.7 (21.2)	2630 (1193)	17/115	4"-87"	4235	4235	7685
140x600	Sing/Bk	7'10" x 31'9" x 11"	2.38 x 9.67 x 0.28	246.6 (23.0)	227.2 (22.1)	2740 (1243)	17/120	4"-87"	4435	4435	8035
140x625	Sing/Bk	7'10" x 33'0" x 11"	2.38 x 10.06 x 0.28	256.7 (23.9)	236.6 (23.0)	2850 (1293)	17/125	4"-87"	4585	4585	8335
140x650	Sing/Bk	7'10" x 34'4" x 11"	2.38 x 10.46 x 0.28	266.9 (24.9)	246.1 (23.9)	2965 (1345)	17/130	4"-87"	4785	4785	8685
140x675	Sing/Bk	7'10" x 35'8" x 11"	2.38 x 10.86 x 0.28	277.0 (25.8)	255.6 (24.6)	3075 (1395)	17/135	4"-87"	4980	4980	9030
140x700	Sing/Bk	7'10" x 36'11" x 11"	2.38 x 11.25 x 0.28	287.1 (26.8)	265.0 (25.5)	3190 (1447)	17/140	4"-87"	5130	5130	9330
140x725	Sing/Bk	7'10" x 38'3" x 11"	2.38 x 11.65 x 0.28	297.2 (27.7)	274.5 (26.5)	3300 (1497)	17/145	4"-87"	5330	5330	9680
140x750	Sing/Bk	7'10" x 39'6" x 11"	2.38 x 12.04 x 0.28	307.3 (28.7)	284.0 (27.4)	3415 (1550)	17/150	4"-87"	5525	5525	10025

# GALAXY® GS6 15.85 MM PRODUCT SPECIFICATIONS

Lines x Columns	Sections/Ventilated	Cabinet Dimensions		Cabinet Square Feet (Square Meters)	Active Area Square Feet (Square Meters)	Cabinet Weight Pounds (kilograms)	Lines/Characters per line	Character Height	Maximum Watts		
		Feet-Inches H x W x D	Meters H x W x D						Amber	Red	RGB
140x775	Sing/Bk	7'10" x 40'10" x 11"	2.38 x 12.44 x 0.28	317.4 (29.6)	293.4 (28.3)	3525 (1599)	17/155	4"-87"	5675	5675	10325
140x800	Sing/Bk	7'10" x 42'2" x 11"	2.38 x 12.84 x 0.28	327.5 (30.6)	302.9 (29.2)	3640 (1652)	17/160	4"-87"	5875	5875	10675
140x825	Sing/Bk	7'10" x 43'5" x 11"	2.38 x 13.23 x 0.28	337.7 (31.5)	312.4 (30.1)	3750 (1701)	17/165	4"-87"	6075	6075	11025
160x100	Sing/Bk	8'10" x 5'9" x 11"	2.69 x 1.74 x 0.28	50.3 (4.7)	43.3 (4.2)	560 (255)	20/20	4"-99"	840	840	1525
160x125	Sing/Bk	8'10" x 7'0" x 11"	2.69 x 2.14 x 0.28	61.7 (5.8)	54.1 (5.2)	690 (313)	20/25	4"-99"	1060	1060	1915
160x150	Sing/Bk	8'10" x 8'4" x 11"	2.69 x 2.53 x 0.28	73.2 (6.8)	64.9 (6.2)	815 (370)	20/30	4"-99"	1280	1280	2310
160x175	Sing/Bk	8'10" x 9'8" x 11"	2.69 x 2.93 x 0.28	84.7 (7.9)	75.8 (7.3)	940 (427)	20/35	4"-99"	1450	1450	2650
160x200	Sing/Bk	8'10" x 10'11" x 11"	2.69 x 3.33 x 0.28	96.1 (9.0)	86.6 (8.3)	1070 (486)	20/40	4"-99"	1670	1670	3040
160x225	Sing/Bk	8'10" x 12'3" x 11"	2.69 x 3.72 x 0.28	107.6 (10.0)	97.4 (9.4)	1195 (543)	20/45	4"-99"	1890	1890	3430
160x250	Sing/Bk	8'10" x 13'6" x 11"	2.69 x 4.12 x 0.28	119.1 (11.1)	108.2 (10.4)	1325 (602)	20/50	4"-99"	2060	2060	3775
160x275	Sing/Bk	8'10" x 14'10" x 11"	2.69 x 4.52 x 0.28	130.5 (12.2)	119.0 (11.4)	1450 (658)	20/55	4"-99"	2280	2280	4165
160x300	Sing/Bk	8'10" x 16'2" x 11"	2.69 x 4.91 x 0.28	142.0 (13.2)	129.8 (12.5)	1580 (717)	20/60	4"-99"	2500	2500	4555
160x325	Sing/Bk	8'10" x 17'5" x 11"	2.69 x 5.31 x 0.28	153.5 (14.3)	140.7 (13.5)	1705 (774)	20/65	4"-99"	2670	2670	4900
160x350	Sing/Bk	8'10" x 18'9" x 11"	2.69 x 5.7 x 0.28	164.9 (15.3)	151.5 (14.6)	1835 (833)	20/70	4"-99"	2890	2890	5290
160x375	Sing/Bk	8'10" x 20'0" x 11"	2.69 x 6.1 x 0.28	176.4 (16.4)	162.3 (15.6)	1960 (890)	20/75	4"-99"	3110	3110	5680
160x400	Sing/Bk	8'10" x 21'4" x 11"	2.69 x 6.5 x 0.28	187.9 (17.5)	173.1 (16.6)	2090 (949)	20/80	4"-99"	3280	3280	6025
160x425	Sing/Bk	8'10" x 22'8" x 11"	2.69 x 6.89 x 0.28	199.3 (18.5)	183.9 (17.7)	2215 (1005)	20/85	4"-99"	3500	3500	6415
160x450	Sing/Bk	8'10" x 23'11" x 11"	2.69 x 7.29 x 0.28	210.8 (19.6)	194.7 (18.7)	2340 (1062)	20/90	4"-99"	3720	3720	6805
160x475	Sing/Bk	8'10" x 25'3" x 11"	2.69 x 7.69 x 0.28	222.3 (20.7)	205.6 (19.8)	2470 (1121)	20/95	4"-99"	3890	3890	7150
160x500	Sing/Bk	8'10" x 26'6" x 11"	2.69 x 8.08 x 0.28	233.7 (21.7)	216.4 (20.8)	2595 (1178)	20/100	4"-99"	4110	4110	7540
160x525	Sing/Bk	8'10" x 27'10" x 11"	2.69 x 8.48 x 0.28	245.2 (22.8)	227.2 (21.8)	2725 (1237)	20/105	4"-99"	4330	4330	7930
160x550	Sing/Bk	8'10" x 29'2" x 11"	2.69 x 8.87 x 0.28	256.7 (23.9)	238.0 (22.9)	2850 (1293)	20/110	4"-99"	4500	4500	8275
160x575	Sing/Bk	8'10" x 30'5" x 11"	2.69 x 9.27 x 0.28	268.1 (24.9)	248.8 (23.9)	2980 (1352)	20/115	4"-99"	4730	4730	8670
160x600	Sing/Bk	8'10" x 31'9" x 11"	2.69 x 9.67 x 0.28	279.6 (26.0)	259.6 (25.0)	3105 (1409)	20/120	4"-99"	4950	4950	9065
160x625	Sing/Bk	8'10" x 33'0" x 11"	2.69 x 10.06 x 0.28	291.1 (27.1)	270.4 (26.0)	3235 (1468)	20/125	4"-99"	5120	5120	9405
160x650	Sing/Bk	8'10" x 34'4" x 11"	2.69 x 10.46 x 0.28	302.5 (28.1)	281.3 (27.0)	3360 (1525)	20/130	4"-99"	5340	5340	9795
160x675	Sing/Bk	8'10" x 35'8" x 11"	2.69 x 10.86 x 0.28	314.0 (29.2)	292.1 (27.8)	3490 (1584)	20/135	4"-99"	5560	5560	10190
160x700	Sing/Bk	8'10" x 36'11" x 11"	2.69 x 11.25 x 0.28	325.5 (30.3)	302.9 (28.9)	3615 (1640)	20/140	4"-99"	5730	5730	10530
160x725	Sing/Bk	8'10" x 38'3" x 11"	2.69 x 11.65 x 0.28	336.9 (31.3)	313.7 (29.9)	3740 (1697)	20/145	4"-99"	5950	5950	10920
160x750	Sing/Bk	8'10" x 39'6" x 11"	2.69 x 12.04 x 0.28	348.4 (32.4)	324.5 (30.9)	3870 (1756)	20/150	4"-99"	6170	6170	11310
160x775	Sing/Bk	8'10" x 40'10" x 11"	2.69 x 12.44 x 0.28	359.9 (33.5)	335.3 (32.0)	3995 (1813)	20/155	4"-99"	6340	6340	11655
160x800	Sing/Bk	8'10" x 42'2" x 11"	2.69 x 12.84 x 0.28	371.3 (34.5)	346.2 (33.0)	4125 (1872)	20/160	4"-99"	6560	6560	12045
160x825	Sing/Bk	8'10" x 43'5" x 11"	2.69 x 13.23 x 0.28	382.8 (35.6)	357.0 (34.1)	4250 (1928)	20/165	4"-99"	6780	6780	12435
180x100	Sing/Bk	9'11" x 5'9" x 11"	3.01 x 1.74 x 0.28	56.2 (5.2)	48.7 (4.6)	625 (284)	22/20	4"-112"	925	925	1695
180x125	Sing/Bk	9'11" x 7'0" x 11"	3.01 x 2.14 x 0.28	69.0 (6.4)	60.9 (5.8)	770 (350)	22/25	4"-112"	1165	1165	2130
180x150	Sing/Bk	9'11" x 8'4" x 11"	3.01 x 2.53 x 0.28	81.8 (7.6)	73.1 (7.0)	910 (413)	22/30	4"-112"	1410	1410	2565
180x175	Sing/Bk	9'11" x 9'8" x 11"	3.01 x 2.93 x 0.28	94.7 (8.8)	85.2 (8.1)	1055 (479)	22/35	4"-112"	1600	1600	2950
180x200	Sing/Bk	9'11" x 10'11" x 11"	3.01 x 3.33 x 0.28	107.5 (10.0)	97.4 (9.3)	1195 (543)	22/40	4"-112"	1840	1840	3385
180x225	Sing/Bk	9'11" x 12'3" x 11"	3.01 x 3.72 x 0.28	120.3 (11.2)	109.6 (10.4)	1340 (608)	22/45	4"-112"	2080	2080	3820
180x250	Sing/Bk	9'11" x 13'6" x 11"	3.01 x 4.12 x 0.28	133.1 (12.4)	121.7 (11.6)	1480 (672)	22/50	4"-112"	2275	2275	4205
180x275	Sing/Bk	9'11" x 14'10" x 11"	3.01 x 4.52 x 0.28	145.9 (13.6)	133.9 (12.8)	1620 (735)	22/55	4"-112"	2515	2515	4635
180x300	Sing/Bk	9'11" x 16'2" x 11"	3.01 x 4.91 x 0.28	158.7 (14.8)	146.1 (13.9)	1765 (801)	22/60	4"-112"	2755	2755	5070
180x325	Sing/Bk	9'11" x 17'5" x 11"	3.01 x 5.31 x 0.28	171.6 (16.0)	158.2 (15.1)	1905 (865)	22/65	4"-112"	2950	2950	5455
180x350	Sing/Bk	9'11" x 18'9" x 11"	3.01 x 5.7 x 0.28	184.4 (17.2)	170.4 (16.2)	2050 (930)	22/70	4"-112"	3190	3190	5890
180x375	Sing/Bk	9'11" x 20'0" x 11"	3.01 x 6.1 x 0.28	197.2 (18.4)	182.6 (17.4)	2190 (994)	22/75	4"-112"	3430	3430	6325
180x400	Sing/Bk	9'11" x 21'4" x 11"	3.01 x 6.5 x 0.28	210.0 (19.6)	194.7 (18.6)	2335 (1060)	22/80	4"-112"	3625	3625	6710
180x425	Sing/Bk	9'11" x 22'8" x 11"	3.01 x 6.89 x 0.28	222.8 (20.7)	206.9 (19.7)	2475 (1123)	22/85	4"-112"	3865	3865	7145
180x450	Sing/Bk	9'11" x 23'11" x 11"	3.01 x 7.29 x 0.28	235.7 (21.9)	219.1 (20.9)	2620 (1189)	22/90	4"-112"	4105	4105	7575
180x475	Sing/Bk	9'11" x 25'3" x 11"	3.01 x 7.69 x 0.28	248.5 (23.1)	231.2 (22.0)	2760 (1252)	22/95	4"-112"	4300	4300	7965
180x500	Sing/Bk	9'11" x 26'6" x 11"	3.01 x 8.08 x 0.28	261.3 (24.3)	243.4 (23.2)	2905 (1318)	22/100	4"-112"	4540	4540	8395
180x525	Sing/Bk	9'11" x 27'10" x 11"	3.01 x 8.48 x 0.28	274.1 (25.5)	255.6 (24.4)	3045 (1382)	22/105	4"-112"	4780	4780	8830
180x550	Sing/Bk	9'11" x 29'2" x 11"	3.01 x 8.87 x 0.28	286.9 (26.7)	267.7 (25.5)	3185 (1445)	22/110	4"-112"	4975	4975	9215
180x575	Sing/Bk	9'11" x 30'5" x 11"	3.01 x 9.27 x 0.28	299.7 (27.9)	279.9 (26.7)	3330 (1511)	22/115	4"-112"	5220	5220	9660
180x600	Sing/Bk	9'11" x 31'9" x 11"	3.01 x 9.67 x 0.28	312.6 (29.1)	292.1 (27.8)	3470 (1574)	22/120	4"-112"	5465	5465	10090
180x625	Sing/Bk	9'11" x 33'0" x 11"	3.01 x 10.06 x 0.28	325.4 (30.3)	304.2 (29.0)	3615 (1640)	22/125	4"-112"	5655	5655	10480
180x650	Sing/Bk	9'11" x 34'4" x 11"	3.01 x 10.46 x 0.28	338.2 (31.5)	316.4 (30.2)	3755 (1704)	22/130	4"-112"	5895	5895	10910
180x675	Sing/Bk	9'11" x 35'8" x 11"	3.01 x 10.86 x 0.28	351.0 (32.7)	328.6 (31.0)	3900 (1770)	22/135	4"-112"	6140	6140	11345
180x700	Sing/Bk	9'11" x 36'11" x 11"	3.01 x 11.25 x 0.28	363.8 (33.9)	340.8 (32.2)	4040 (1833)	22/140	4"-112"	6330	6330	11730
180x725	Sing/Bk	9'11" x 38'3" x 11"	3.01 x 11.65 x 0.28	376.7 (35.1)	352.9 (33.4)	4185 (1899)	22/145	4"-112"	6570	6570	12165
180x750	Sing/Bk	9'11" x 39'6" x 11"	3.01 x 12.04 x 0.28	389.5 (36.2)	365.1 (34.5)	4325 (1962)	22/150	4"-112"	6810	6810	12600
180x775	Sing/Bk	9'11" x 40'10" x 11"	3.01 x 12.44 x 0.28	402.3 (37.4)	377.3 (35.7)	4470 (2028)	22/155	4"-112"	7005	7005	12985
180x800	Sing/Bk	9'11" x 42'2" x 11"	3.01 x 12.84 x 0.28	415.1 (38.6)	389.4 (36.8)	4610 (2092)	22/160	4"-112"	7245	7245	13420
180x825	Sing/Bk	9'11" x 43'5" x 11"	3.01 x 13.23 x 0.28	427.9 (39.8)	401.6 (38.0)	4750 (2155)	22/165	4"-112"	7485	7485	13850
200x100	Multi/Bk	10'11" x 5'9" x 11"	3.33 x 1.74 x 0.28	62.1 (5.8)	54.1 (5.1)	690 (313)	25/20	4"-124"	1165	1165	2020
200x125	Multi/Bk	10'11" x 7'0" x 11"	3.33 x 2.14 x 0.28	76.3 (7.1)	67.6 (6.4)	850 (386)	25/25	4"-124"	1475	1475	2545
200x150	Multi/Bk	10'11" x 8'4" x 11"	3.33 x 2.53 x 0.28	90.5 (8.4)	81.2 (7.7)	1005 (456)	25/30	4"-124"	1785	1785	3070
200x175	Multi/Bk	10'11" x 9'8" x 11"	3.33 x 2.93 x 0.28	104.6 (9.8)	94.7 (9.0)	1165 (529)	25/35	4"-124"	2000	2000	3500



# GALAXY® GS6 15.85 MM PRODUCT SPECIFICATIONS

Lines x Columns	Sections/Ventilated	Cabinet Dimensions Feet-Inches H x W x D	Cabinet Dimensions Meters H x W x D	Cabinet Square Feet (Square Meters)	Active Area Square Feet (Square Meters)	Cabinet Weight Pounds (kilograms)	Lines/Characters per line	Character Height	Maximum Watts		
									Amber	Red	RGB
200x200	Multi/Bk	10'11" x 10'11" x 11"	3.33 x 3.33 x 0.28	118.8 (11.1)	108.2 (10.2)	1320 (599)	25/40	4"-124"	2310	2310	4025
200x225	Multi/Bk	10'11" x 12'3" x 11"	3.33 x 3.72 x 0.28	133.0 (12.4)	121.7 (11.5)	1480 (672)	25/45	4"-124"	2620	2620	4550
200x250	Multi/Bk	10'11" x 13'6" x 11"	3.33 x 4.12 x 0.28	147.2 (13.7)	135.2 (12.8)	1635 (742)	25/50	4"-124"	2835	2835	4975
200x275	Multi/Bk	10'11" x 14'10" x 11"	3.33 x 4.52 x 0.28	161.3 (15.1)	148.8 (14.1)	1795 (815)	25/55	4"-124"	3145	3145	5500
200x300	Multi/Bk	10'11" x 16'2" x 11"	3.33 x 4.91 x 0.28	175.5 (16.4)	162.3 (15.4)	1950 (885)	25/60	4"-124"	3455	3455	6025
200x325	Multi/Bk	10'11" x 17'5" x 11"	3.33 x 5.31 x 0.28	189.7 (17.7)	175.8 (16.6)	2110 (958)	25/65	4"-124"	3670	3670	6455
200x350	Multi/Bk	10'11" x 18'9" x 11"	3.33 x 5.7 x 0.28	203.8 (19.0)	189.3 (17.9)	2265 (1028)	25/70	4"-124"	3980	3980	6980
200x375	Multi/Bk	10'11" x 20'0" x 11"	3.33 x 6.1 x 0.28	218.0 (20.3)	202.8 (19.2)	2420 (1098)	25/75	4"-124"	4290	4290	7505
200x400	Multi/Bk	10'11" x 21'4" x 11"	3.33 x 6.5 x 0.28	232.2 (21.6)	216.4 (20.5)	2580 (1171)	25/80	4"-124"	4505	4505	7930
200x425	Multi/Bk	10'11" x 22'8" x 11"	3.33 x 6.89 x 0.28	246.3 (22.9)	229.9 (21.8)	2735 (1241)	25/85	4"-124"	4815	4815	8455
200x450	Multi/Bk	10'11" x 23'11" x 11"	3.33 x 7.29 x 0.28	260.5 (24.3)	243.4 (23.0)	2895 (1314)	25/90	4"-124"	5125	5125	8980
200x475	Multi/Bk	10'11" x 25'3" x 11"	3.33 x 7.69 x 0.28	274.7 (25.6)	256.9 (24.3)	3050 (1384)	25/95	4"-124"	5340	5340	9410
200x500	Multi/Bk	10'11" x 26'6" x 11"	3.33 x 8.08 x 0.28	288.9 (26.9)	270.4 (25.6)	3210 (1457)	25/100	4"-124"	5650	5650	9935
200x525	Multi/Bk	10'11" x 27'10" x 11"	3.33 x 8.48 x 0.28	303.0 (28.2)	284.0 (26.9)	3365 (1527)	25/105	4"-124"	5960	5960	10460
200x550	Multi/Bk	10'11" x 29'2" x 11"	3.33 x 8.87 x 0.28	317.2 (29.5)	297.5 (28.2)	3525 (1599)	25/110	4"-124"	6175	6175	10890
200x575	Multi/Bk	10'11" x 30'5" x 11"	3.33 x 9.27 x 0.28	331.4 (30.9)	311.0 (29.4)	3680 (1670)	25/115	4"-124"	6500	6500	11430
200x600	Multi/Bk	10'11" x 31'9" x 11"	3.33 x 9.67 x 0.28	345.5 (32.2)	324.5 (30.7)	3840 (1742)	25/120	4"-124"	6810	6810	11955
200x625	Multi/Bk	10'11" x 33'0" x 11"	3.33 x 10.06 x 0.28	359.7 (33.5)	338.0 (32.0)	3995 (1813)	25/125	4"-124"	7025	7025	12380
200x650	Multi/Bk	10'11" x 34'4" x 11"	3.33 x 10.46 x 0.28	373.9 (34.8)	351.6 (33.3)	4150 (1883)	25/130	4"-124"	7335	7335	12905
200x675	Multi/Bk	10'11" x 35'8" x 11"	3.33 x 10.86 x 0.28	388.0 (36.2)	365.1 (34.2)	4310 (1955)	25/135	4"-124"	7645	7645	13430
200x700	Multi/Bk	10'11" x 36'11" x 11"	3.33 x 11.25 x 0.28	402.2 (37.5)	378.6 (35.5)	4465 (2026)	25/140	4"-124"	7860	7860	13860
200x725	Multi/Bk	10'11" x 38'3" x 11"	3.33 x 11.65 x 0.28	416.4 (38.8)	392.1 (36.8)	4625 (2098)	25/145	4"-124"	8170	8170	14385
200x750	Multi/Bk	10'11" x 39'6" x 11"	3.33 x 12.04 x 0.28	430.6 (40.1)	405.6 (38.1)	4780 (2169)	25/150	4"-124"	8480	8480	14910
200x775	Multi/Bk	10'11" x 40'10" x 11"	3.33 x 12.44 x 0.28	444.7 (41.4)	419.2 (39.4)	4940 (2241)	25/155	4"-124"	8695	8695	15340
200x800	Multi/Bk	10'11" x 42'2" x 11"	3.33 x 12.84 x 0.28	458.9 (42.8)	432.7 (40.6)	5095 (2312)	25/160	4"-124"	9005	9005	15860
200x825	Multi/Bk	10'11" x 43'5" x 11"	3.33 x 13.23 x 0.28	473.1 (44.1)	446.2 (41.9)	5255 (2384)	25/165	4"-124"	9315	9315	16385
220x100	Multi/Bk	12'0" x 5'9" x 11"	3.64 x 1.74 x 0.28	68.1 (6.3)	59.5 (5.6)	760 (345)	27/20	4"-137"	1250	1250	2195
220x125	Multi/Bk	12'0" x 7'0" x 11"	3.64 x 2.14 x 0.28	83.6 (7.8)	74.4 (7.0)	930 (422)	27/25	4"-137"	1585	1585	2760
220x150	Multi/Bk	12'0" x 8'4" x 11"	3.64 x 2.53 x 0.28	99.1 (9.2)	89.3 (8.4)	1100 (499)	27/30	4"-137"	1915	1915	3325
220x175	Multi/Bk	12'0" x 9'8" x 11"	3.64 x 2.93 x 0.28	114.6 (10.7)	104.2 (9.8)	1275 (579)	27/35	4"-137"	2150	2150	3800
220x200	Multi/Bk	12'0" x 10'11" x 11"	3.64 x 3.33 x 0.28	130.1 (12.1)	119.0 (11.2)	1445 (656)	27/40	4"-137"	2480	2480	4365
220x225	Multi/Bk	12'0" x 12'3" x 11"	3.64 x 3.72 x 0.28	145.7 (13.5)	133.9 (12.6)	1620 (735)	27/45	4"-137"	2815	2815	4925
220x250	Multi/Bk	12'0" x 13'6" x 11"	3.64 x 4.12 x 0.28	161.2 (15.0)	148.8 (14.0)	1790 (812)	27/50	4"-137"	3050	3050	5405
220x275	Multi/Bk	12'0" x 14'10" x 11"	3.64 x 4.52 x 0.28	176.7 (16.5)	163.6 (15.4)	1965 (892)	27/55	4"-137"	3380	3380	5975
220x300	Multi/Bk	12'0" x 16'2" x 11"	3.64 x 4.91 x 0.28	192.2 (17.9)	178.5 (16.8)	2135 (969)	27/60	4"-137"	3710	3710	6540
220x325	Multi/Bk	12'0" x 17'5" x 11"	3.64 x 5.31 x 0.28	207.8 (19.3)	193.4 (18.2)	2310 (1048)	27/65	4"-137"	3945	3945	7010
220x350	Multi/Bk	12'0" x 18'9" x 11"	3.64 x 5.7 x 0.28	223.3 (20.7)	208.3 (19.6)	2480 (1125)	27/70	4"-137"	4280	4280	7580
220x375	Multi/Bk	12'0" x 20'0" x 11"	3.64 x 6.1 x 0.28	238.8 (22.2)	223.1 (21.0)	2655 (1205)	27/75	4"-137"	4610	4610	8145
220x400	Multi/Bk	12'0" x 21'4" x 11"	3.64 x 6.5 x 0.28	254.3 (23.7)	238.0 (22.4)	2825 (1282)	27/80	4"-137"	4845	4845	8620
220x425	Multi/Bk	12'0" x 22'8" x 11"	3.64 x 6.89 x 0.28	269.8 (25.1)	252.9 (23.8)	3000 (1361)	27/85	4"-137"	5180	5180	9185
220x450	Multi/Bk	12'0" x 23'11" x 11"	3.64 x 7.29 x 0.28	285.4 (26.5)	267.7 (25.2)	3170 (1438)	27/90	4"-137"	5510	5510	9755
220x475	Multi/Bk	12'0" x 25'3" x 11"	3.64 x 7.69 x 0.28	300.9 (28.0)	282.6 (26.6)	3340 (1515)	27/95	4"-137"	5745	5745	10225
220x500	Multi/Bk	12'0" x 26'6" x 11"	3.64 x 8.08 x 0.28	316.4 (29.4)	297.5 (28.0)	3515 (1595)	27/100	4"-137"	6075	6075	10790
220x525	Multi/Bk	12'0" x 27'10" x 11"	3.64 x 8.48 x 0.28	331.9 (30.9)	312.4 (29.4)	3685 (1672)	27/105	4"-137"	6410	6410	11360
220x550	Multi/Bk	12'0" x 29'2" x 11"	3.64 x 8.87 x 0.28	347.5 (32.3)	327.2 (30.8)	3860 (1751)	27/110	4"-137"	6645	6645	11830
220x575	Multi/Bk	12'0" x 30'5" x 11"	3.64 x 9.27 x 0.28	363.0 (33.7)	342.1 (32.2)	4030 (1828)	27/115	4"-137"	6995	6995	12415
220x600	Multi/Bk	12'0" x 31'9" x 11"	3.64 x 9.67 x 0.28	378.5 (35.2)	357.0 (33.6)	4205 (1908)	27/120	4"-137"	7325	7325	12980
220x625	Multi/Bk	12'0" x 33'0" x 11"	3.64 x 10.06 x 0.28	394.0 (36.6)	371.8 (35.0)	4375 (1985)	27/125	4"-137"	7560	7560	13455
220x650	Multi/Bk	12'0" x 34'4" x 11"	3.64 x 10.46 x 0.28	409.5 (38.1)	386.7 (36.4)	4550 (2064)	27/130	4"-137"	7890	7890	14020
220x675	Multi/Bk	12'0" x 35'8" x 11"	3.64 x 10.86 x 0.28	425.1 (39.5)	401.6 (37.5)	4720 (2141)	27/135	4"-137"	8225	8225	14590
220x700	Multi/Bk	12'0" x 36'11" x 11"	3.64 x 11.25 x 0.28	440.6 (41.0)	416.5 (38.9)	4895 (2221)	27/140	4"-137"	8460	8460	15060
220x725	Multi/Bk	12'0" x 38'3" x 11"	3.64 x 11.65 x 0.28	456.1 (42.4)	431.3 (40.3)	5065 (2298)	27/145	4"-137"	8790	8790	15625
220x750	Multi/Bk	12'0" x 39'6" x 11"	3.64 x 12.04 x 0.28	471.6 (43.8)	446.2 (41.7)	5240 (2377)	27/150	4"-137"	9125	9125	16195
220x775	Multi/Bk	12'0" x 40'10" x 11"	3.64 x 12.44 x 0.28	487.2 (45.3)	461.1 (43.1)	5410 (2454)	27/155	4"-137"	9360	9360	16665
220x800	Multi/Bk	12'0" x 42'2" x 11"	3.64 x 12.84 x 0.28	502.7 (46.7)	476.0 (44.5)	5580 (2532)	27/160	4"-137"	9690	9690	17235
220x825	Multi/Bk	12'0" x 43'5" x 11"	3.64 x 13.23 x 0.28	518.2 (48.2)	490.8 (45.9)	5755 (2611)	27/165	4"-137"	10020	10020	17800
240x100	Multi/Bk	13'0" x 5'9" x 11"	3.96 x 1.74 x 0.28	74.0 (6.9)	64.9 (6.2)	825 (375)	30/20	4"-149"	1335	1335	2365
240x125	Multi/Bk	13'0" x 7'0" x 11"	3.96 x 2.14 x 0.28	90.9 (8.5)	81.2 (7.8)	1010 (459)	30/25	4"-149"	1695	1695	2975
240x150	Multi/Bk	13'0" x 8'4" x 11"	3.96 x 2.53 x 0.28	107.7 (10.0)	97.4 (9.4)	1200 (545)	30/30	4"-149"	2040	2040	3585
240x175	Multi/Bk	13'0" x 9'8" x 11"	3.96 x 2.93 x 0.28	124.6 (11.6)	113.6 (10.9)	1385 (629)	30/35	4"-149"	2300	2300	4100
240x200	Multi/Bk	13'0" x 10'11" x 11"	3.96 x 3.33 x 0.28	141.5 (13.2)	129.8 (12.5)	1575 (715)	30/40	4"-149"	2650	2650	4710
240x225	Multi/Bk	13'0" x 12'3" x 11"	3.96 x 3.72 x 0.28	158.4 (14.7)	146.1 (14.0)	1760 (799)	30/45	4"-149"	3005	3005	5300
240x250	Multi/Bk	13'0" x 13'6" x 11"	3.96 x 4.12 x 0.28	175.2 (16.3)	162.3 (15.6)	1950 (885)	30/50	4"-149"	3260	3260	5835
240x275	Multi/Bk	13'0" x 14'10" x 11"	3.96 x 4.52 x 0.28	192.1 (17.9)	178.5 (17.2)	2135 (969)	30/55	4"-149"	3615	3615	6445
240x300	Multi/Bk	13'0" x 16'2" x 11"	3.96 x 4.91 x 0.28	209.0 (19.4)	194.7 (18.7)	2320 (1053)	30/60	4"-149"	3970	3970	7055
240x325	Multi/Bk	13'0" x 17'5" x 11"	3.96 x 5.31 x 0.28	225.9 (21.0)	211.0 (20.3)	2510 (1139)	30/65	4"-149"	4225	4225	7570
240x350	Multi/Bk	13'0" x 18'9" x 11"	3.96 x 5.7 x 0.28	242.7 (22.6)	227.2 (21.8)	2695 (1223)	30/70	4"-149"	4580	4580	8180

# GALAXY® GS6 15.85 MM PRODUCT SPECIFICATIONS

Lines x Columns	Sections/Ventilated	Cabinet Dimensions Feet-Inches H x W x D	Cabinet Dimensions Meters H x W x D	Cabinet Square Feet (Square Meters)	Active Area Square Feet (Square Meters)	Cabinet Weight Pounds (kilograms)	Lines/Characters per line	Character Height	Maximum Watts		
									Amber	Red	RGB
240x375	Multi/Bk	13'0" x 20'0" x 11"	3.96 x 6.1 x 0.28	259.6 (24.2)	243.4 (23.4)	2885 (1309)	30/75	4"-149"	4930	4930	8790
240x400	Multi/Bk	13'0" x 21'4" x 11"	3.96 x 6.5 x 0.28	276.5 (25.7)	259.6 (25.0)	3070 (1393)	30/80	4"-149"	5190	5190	9305
240x425	Multi/Bk	13'0" x 22'8" x 11"	3.96 x 6.89 x 0.28	293.3 (27.3)	275.9 (26.5)	3260 (1479)	30/85	4"-149"	5540	5540	9915
240x450	Multi/Bk	13'0" x 23'11" x 11"	3.96 x 7.29 x 0.28	310.2 (28.9)	292.1 (28.1)	3445 (1563)	30/90	4"-149"	5895	5895	10525
240x475	Multi/Bk	13'0" x 25'3" x 11"	3.96 x 7.69 x 0.28	327.1 (30.5)	308.3 (29.6)	3635 (1649)	30/95	4"-149"	6150	6150	11040
240x500	Multi/Bk	13'0" x 26'6" x 11"	3.96 x 8.08 x 0.28	344.0 (32.0)	324.5 (31.2)	3820 (1733)	30/100	4"-149"	6505	6505	11650
240x525	Multi/Bk	13'0" x 27'10" x 11"	3.96 x 8.48 x 0.28	360.8 (33.6)	340.8 (32.8)	4010 (1819)	30/105	4"-149"	6860	6860	12260
240x550	Multi/Bk	13'0" x 29'2" x 11"	3.96 x 8.87 x 0.28	377.7 (35.1)	357.0 (34.3)	4195 (1903)	30/110	4"-149"	7115	7115	12775
240x575	Multi/Bk	13'0" x 30'5" x 11"	3.96 x 9.27 x 0.28	394.6 (36.7)	373.2 (35.9)	4380 (1987)	30/115	4"-149"	7485	7485	13400
240x600	Multi/Bk	13'0" x 31'9" x 11"	3.96 x 9.67 x 0.28	411.5 (38.3)	389.4 (37.4)	4570 (2073)	30/120	4"-149"	7840	7840	14010
240x625	Multi/Bk	13'0" x 33'0" x 11"	3.96 x 10.06 x 0.28	428.3 (39.8)	405.6 (39.0)	4755 (2157)	30/125	4"-149"	8095	8095	14525
240x650	Multi/Bk	13'0" x 34'4" x 11"	3.96 x 10.46 x 0.28	445.2 (41.4)	421.9 (40.6)	4945 (2244)	30/130	4"-149"	8450	8450	15135
240x675	Multi/Bk	13'0" x 35'8" x 11"	3.96 x 10.86 x 0.28	462.1 (43.0)	438.1 (41.7)	5130 (2327)	30/135	4"-149"	8800	8800	15745
240x700	Multi/Bk	13'0" x 36'11" x 11"	3.96 x 11.25 x 0.28	479.0 (44.6)	454.3 (43.3)	5320 (2414)	30/140	4"-149"	9060	9060	16260
240x725	Multi/Bk	13'0" x 38'3" x 11"	3.96 x 11.65 x 0.28	495.8 (46.1)	470.5 (44.9)	5505 (2498)	30/145	4"-149"	9410	9410	16870
240x750	Multi/Bk	13'0" x 39'6" x 11"	3.96 x 12.04 x 0.28	512.7 (47.7)	486.8 (46.4)	5695 (2584)	30/150	4"-149"	9765	9765	17480
240x775	Multi/Bk	13'0" x 40'10" x 11"	3.96 x 12.44 x 0.28	529.6 (49.3)	503.0 (48.0)	5880 (2668)	30/155	4"-149"	10020	10020	17995
240x800	Multi/Bk	13'0" x 42'2" x 11"	3.96 x 12.84 x 0.28	546.5 (50.8)	519.2 (49.5)	6070 (2754)	30/160	4"-149"	10375	10375	18605
240x825	Multi/Bk	13'0" x 43'5" x 11"	3.96 x 13.23 x 0.28	563.3 (52.4)	535.4 (51.1)	6255 (2838)	30/165	4"-149"	10730	10730	19215
260x100	Multi/Bk	14'1" x 5'9" x 11"	4.28 x 1.74 x 0.28	79.9 (7.4)	70.4 (6.7)	890 (404)	32/20	4"-162"	1420	1420	2535
260x125	Multi/Bk	14'1" x 7'0" x 11"	4.28 x 2.14 x 0.28	98.1 (9.2)	87.9 (8.4)	1090 (495)	32/25	4"-162"	1800	1800	3190
260x150	Multi/Bk	14'1" x 8'4" x 11"	4.28 x 2.53 x 0.28	116.4 (10.8)	105.5 (10.1)	1295 (588)	32/30	4"-162"	2170	2170	3840
260x175	Multi/Bk	14'1" x 9'8" x 11"	4.28 x 2.93 x 0.28	134.6 (12.5)	123.1 (11.8)	1495 (679)	32/35	4"-162"	2450	2450	4400
260x200	Multi/Bk	14'1" x 10'11" x 11"	4.28 x 3.33 x 0.28	152.8 (14.3)	140.7 (13.4)	1700 (772)	32/40	4"-162"	2825	2825	5050
260x225	Multi/Bk	14'1" x 12'3" x 11"	4.28 x 3.72 x 0.28	171.0 (15.9)	158.2 (15.1)	1900 (865)	32/45	4"-162"	3200	3200	5695
260x250	Multi/Bk	14'1" x 13'6" x 11"	4.28 x 4.12 x 0.28	189.3 (17.6)	175.8 (16.8)	2105 (952)	32/50	4"-162"	3475	3475	6260
260x275	Multi/Bk	14'1" x 14'10" x 11"	4.28 x 4.52 x 0.28	207.5 (19.3)	193.4 (18.5)	2305 (1046)	32/55	4"-162"	3850	3850	6915
260x300	Multi/Bk	14'1" x 16'2" x 11"	4.28 x 4.91 x 0.28	225.7 (21.0)	211.0 (20.2)	2510 (1139)	32/60	4"-162"	4225	4225	7570
260x325	Multi/Bk	14'1" x 17'5" x 11"	4.28 x 5.31 x 0.28	243.9 (22.7)	228.5 (21.8)	2710 (1230)	32/65	4"-162"	4505	4505	8125
260x350	Multi/Bk	14'1" x 18'9" x 11"	4.28 x 5.7 x 0.28	262.2 (24.4)	246.1 (23.5)	2915 (1323)	32/70	4"-162"	4880	4880	8780
260x375	Multi/Bk	14'1" x 20'0" x 11"	4.28 x 6.1 x 0.28	280.4 (26.1)	263.7 (25.2)	3115 (1413)	32/75	4"-162"	5255	5255	9430
260x400	Multi/Bk	14'1" x 21'4" x 11"	4.28 x 6.5 x 0.28	298.6 (27.8)	281.3 (26.9)	3315 (1504)	32/80	4"-162"	5530	5530	9990
260x425	Multi/Bk	14'1" x 22'8" x 11"	4.28 x 6.89 x 0.28	316.9 (29.5)	298.8 (28.6)	3520 (1597)	32/85	4"-162"	5905	5905	10640
260x450	Multi/Bk	14'1" x 23'11" x 11"	4.28 x 7.29 x 0.28	335.1 (31.2)	316.4 (30.2)	3720 (1688)	32/90	4"-162"	6280	6280	11295
260x475	Multi/Bk	14'1" x 25'3" x 11"	4.28 x 7.69 x 0.28	353.3 (32.9)	334.0 (31.9)	3925 (1781)	32/95	4"-162"	6560	6560	11850
260x500	Multi/Bk	14'1" x 26'6" x 11"	4.28 x 8.08 x 0.28	371.5 (34.6)	351.6 (33.6)	4125 (1872)	32/100	4"-162"	6935	6935	12505
260x525	Multi/Bk	14'1" x 27'10" x 11"	4.28 x 8.48 x 0.28	389.8 (36.3)	369.1 (35.3)	4330 (1965)	32/105	4"-162"	7310	7310	13160
260x550	Multi/Bk	14'1" x 29'2" x 11"	4.28 x 8.87 x 0.28	408.0 (38.0)	386.7 (37.0)	4530 (2055)	32/110	4"-162"	7585	7585	13715
260x575	Multi/Bk	14'1" x 30'5" x 11"	4.28 x 9.27 x 0.28	426.2 (39.7)	404.3 (38.6)	4735 (2148)	32/115	4"-162"	7980	7980	14385
260x600	Multi/Bk	14'1" x 31'9" x 11"	4.28 x 9.67 x 0.28	444.4 (41.4)	421.9 (40.3)	4935 (2239)	32/120	4"-162"	8355	8355	15040
260x625	Multi/Bk	14'1" x 33'0" x 11"	4.28 x 10.06 x 0.28	462.7 (43.1)	439.4 (42.0)	5140 (2332)	32/125	4"-162"	8630	8630	15595
260x650	Multi/Bk	14'1" x 34'4" x 11"	4.28 x 10.46 x 0.28	480.9 (44.8)	457.0 (43.7)	5340 (2423)	32/130	4"-162"	9005	9005	16250
260x675	Multi/Bk	14'1" x 35'8" x 11"	4.28 x 10.86 x 0.28	499.1 (46.5)	474.6 (44.9)	5545 (2516)	32/135	4"-162"	9380	9380	16905
260x700	Multi/Bk	14'1" x 36'11" x 11"	4.28 x 11.25 x 0.28	517.3 (48.2)	492.2 (46.6)	5745 (2606)	32/140	4"-162"	9660	9660	17460
260x725	Multi/Bk	14'1" x 38'3" x 11"	4.28 x 11.65 x 0.28	535.6 (49.9)	509.8 (48.3)	5945 (2697)	32/145	4"-162"	10035	10035	18115
260x750	Multi/Bk	14'1" x 39'6" x 11"	4.28 x 12.04 x 0.28	553.8 (51.5)	527.3 (50.0)	6150 (2790)	32/150	4"-162"	10410	10410	18765
260x775	Multi/Bk	14'1" x 40'10" x 11"	4.28 x 12.44 x 0.28	572.0 (53.2)	544.9 (51.7)	6350 (2881)	32/155	4"-162"	10685	10685	19325
260x800	Multi/Bk	14'1" x 42'2" x 11"	4.28 x 12.84 x 0.28	590.2 (55.0)	562.5 (53.3)	6555 (2974)	32/160	4"-162"	11060	11060	19975
260x825	Multi/Bk	14'1" x 43'5" x 11"	4.28 x 13.23 x 0.28	608.5 (56.6)	580.1 (55.0)	6755 (3065)	32/165	4"-162"	11435	11435	20630
280x100	Multi/Bk	15'1" x 5'9" x 11"	4.6 x 1.74 x 0.28	85.8 (8.0)	75.8 (7.2)	955 (434)	35/20	4"-174"	1505	1505	2705
280x125	Multi/Bk	15'1" x 7'0" x 11"	4.6 x 2.14 x 0.28	105.4 (9.8)	94.7 (9.0)	1175 (533)	35/25	4"-174"	1900	1900	3400
280x150	Multi/Bk	15'1" x 8'4" x 11"	4.6 x 2.53 x 0.28	125.0 (11.6)	113.6 (10.8)	1390 (631)	35/30	4"-174"	2300	2300	4100
280x175	Multi/Bk	15'1" x 9'8" x 11"	4.6 x 2.93 x 0.28	144.6 (13.5)	132.5 (12.6)	1605 (729)	35/35	4"-174"	2600	2600	4700
280x200	Multi/Bk	15'1" x 10'11" x 11"	4.6 x 3.33 x 0.28	164.2 (15.3)	151.5 (14.4)	1825 (828)	35/40	4"-174"	2995	2995	5395
280x225	Multi/Bk	15'1" x 12'3" x 11"	4.6 x 3.72 x 0.28	183.7 (17.1)	170.4 (16.2)	2040 (926)	35/45	4"-174"	3390	3390	6090
280x250	Multi/Bk	15'1" x 13'6" x 11"	4.6 x 4.12 x 0.28	203.3 (19.0)	189.3 (18.0)	2260 (1026)	35/50	4"-174"	3690	3690	6690
280x275	Multi/Bk	15'1" x 14'10" x 11"	4.6 x 4.52 x 0.28	222.9 (20.8)	208.3 (19.8)	2475 (1123)	35/55	4"-174"	4085	4085	7385
280x300	Multi/Bk	15'1" x 16'2" x 11"	4.6 x 4.91 x 0.28	242.5 (22.6)	227.2 (21.6)	2695 (1223)	35/60	4"-174"	4480	4480	8080
280x325	Multi/Bk	15'1" x 17'5" x 11"	4.6 x 5.31 x 0.28	262.0 (24.4)	246.1 (23.4)	2910 (1320)	35/65	4"-174"	4780	4780	8680
280x350	Multi/Bk	15'1" x 18'9" x 11"	4.6 x 5.7 x 0.28	281.6 (26.2)	265.0 (25.2)	3130 (1420)	35/70	4"-174"	5180	5180	9380
280x375	Multi/Bk	15'1" x 20'0" x 11"	4.6 x 6.1 x 0.28	301.2 (28.1)	284.0 (27.0)	3345 (1518)	35/75	4"-174"	5575	5575	10075
280x400	Multi/Bk	15'1" x 21'4" x 11"	4.6 x 6.5 x 0.28	320.8 (29.9)	302.9 (28.8)	3565 (1618)	35/80	4"-174"	5875	5875	10675
280x425	Multi/Bk	15'1" x 22'8" x 11"	4.6 x 6.89 x 0.28	340.4 (31.7)	321.8 (30.6)	3780 (1715)	35/85	4"-174"	6270	6270	11370
280x450	Multi/Bk	15'1" x 23'11" x 11"	4.6 x 7.29 x 0.28	359.9 (33.5)	340.8 (32.4)	4000 (1815)	35/90	4"-174"	6665	6665	12065
280x475	Multi/Bk	15'1" x 25'3" x 11"	4.6 x 7.69 x 0.28	379.5 (35.4)	359.7 (34.2)	4215 (1912)	35/95	4"-174"	6965	6965	12665
280x500	Multi/Bk	15'1" x 26'6" x 11"	4.6 x 8.08 x 0.28	399.1 (37.2)	378.6 (36.0)	4430 (2010)	35/100	4"-174"	7360	7360	13360
280x525	Multi/Bk	15'1" x 27'10" x 11"	4.6 x 8.48 x 0.28	418.7 (39.0)	397.5 (37.8)	4650 (2110)	35/105	4"-174"	7760	7760	14060



# GALAXY® GS6 15.85 MM PRODUCT SPECIFICATIONS

Lines x Columns	Sections/Ventilated	Cabinet Dimensions		Cabinet Square Feet (Square Meters)	Active Area Square Feet (Square Meters)	Cabinet Weight Pounds (kilograms)	Lines/Characters per line	Character Height	Maximum Watts		
		Feet-Inches H x W x D	Meters H x W x D						Amber	Red	RGB
280x550	Multi/Bk	15'1" x 29'2" x 11"	4.6 x 8.87 x 0.28	438.2 (40.8)	416.5 (39.6)	4865 (2207)	35/110	4"-174"	8060	8060	14660
280x575	Multi/Bk	15'1" x 30'5" x 11"	4.6 x 9.27 x 0.28	457.8 (42.6)	435.4 (41.4)	5085 (2307)	35/115	4"-174"	8470	8470	15370
280x600	Multi/Bk	15'1" x 31'9" x 11"	4.6 x 9.67 x 0.28	477.4 (44.5)	454.3 (43.2)	5300 (2405)	35/120	4"-174"	8870	8870	16070
280x625	Multi/Bk	15'1" x 33'0" x 11"	4.6 x 10.06 x 0.28	497.0 (46.3)	473.2 (45.0)	5520 (2504)	35/125	4"-174"	9170	9170	16670
280x650	Multi/Bk	15'1" x 34'4" x 11"	4.6 x 10.46 x 0.28	516.6 (48.1)	492.2 (46.8)	5735 (2602)	35/130	4"-174"	9565	9565	17365
280x675	Multi/Bk	15'1" x 35'8" x 11"	4.6 x 10.86 x 0.28	536.1 (50.0)	511.1 (48.2)	5955 (2702)	35/135	4"-174"	9960	9960	18060
280x700	Multi/Bk	15'1" x 36'11" x 11"	4.6 x 11.25 x 0.28	555.7 (51.8)	530.0 (50.0)	6170 (2799)	35/140	4"-174"	10260	10260	18660
280x725	Multi/Bk	15'1" x 38'3" x 11"	4.6 x 11.65 x 0.28	575.3 (53.6)	549.0 (51.8)	6390 (2899)	35/145	4"-174"	10655	10655	19355
280x750	Multi/Bk	15'1" x 39'6" x 11"	4.6 x 12.04 x 0.28	594.9 (55.4)	567.9 (53.6)	6605 (2996)	35/150	4"-174"	11050	11050	20050
280x775	Multi/Bk	15'1" x 40'10" x 11"	4.6 x 12.44 x 0.28	614.4 (57.2)	586.8 (55.4)	6825 (3096)	35/155	4"-174"	11350	11350	20650
280x800	Multi/Bk	15'1" x 42'2" x 11"	4.6 x 12.84 x 0.28	634.0 (59.1)	605.7 (57.2)	7040 (3194)	35/160	4"-174"	11750	11750	21350
280x825	Multi/Bk	15'1" x 43'5" x 11"	4.6 x 13.23 x 0.28	653.6 (60.9)	624.7 (59.0)	7255 (3291)	35/165	4"-174"	12145	12145	22045
300x100	Multi/Bk	16'2" x 5'9" x 11"	4.91 x 1.74 x 0.28	91.8 (8.5)	81.2 (7.7)	1020 (463)	37/20	4"-187"	1590	1590	2880
300x125	Multi/Bk	16'2" x 7'0" x 11"	4.91 x 2.14 x 0.28	112.7 (10.5)	101.4 (9.6)	1255 (570)	37/25	4"-187"	2010	2010	3615
300x150	Multi/Bk	16'2" x 8'4" x 11"	4.91 x 2.53 x 0.28	133.6 (12.4)	121.7 (11.5)	1485 (674)	37/30	4"-187"	2425	2425	4355
300x175	Multi/Bk	16'2" x 9'8" x 11"	4.91 x 2.93 x 0.28	154.6 (14.4)	142.0 (13.4)	1720 (781)	37/35	4"-187"	2750	2750	5000
300x200	Multi/Bk	16'2" x 10'11" x 11"	4.91 x 3.33 x 0.28	175.5 (16.4)	162.3 (15.4)	1950 (885)	37/40	4"-187"	3165	3165	5735
300x225	Multi/Bk	16'2" x 12'3" x 11"	4.91 x 3.72 x 0.28	196.4 (18.3)	182.6 (17.3)	2185 (992)	37/45	4"-187"	3585	3585	6475
300x250	Multi/Bk	16'2" x 13'6" x 11"	4.91 x 4.12 x 0.28	217.4 (20.2)	202.8 (19.2)	2415 (1096)	37/50	4"-187"	3905	3905	7120
300x275	Multi/Bk	16'2" x 14'10" x 11"	4.91 x 4.52 x 0.28	238.3 (22.2)	223.1 (21.1)	2645 (1200)	37/55	4"-187"	4320	4320	7860
300x300	Multi/Bk	16'2" x 16'2" x 11"	4.91 x 4.91 x 0.28	259.2 (24.1)	243.4 (23.0)	2880 (1307)	37/60	4"-187"	4740	4740	8595
300x325	Multi/Bk	16'2" x 17'5" x 11"	4.91 x 5.31 x 0.28	280.1 (26.1)	263.7 (25.0)	3110 (1411)	37/65	4"-187"	5060	5060	9240
300x350	Multi/Bk	16'2" x 18'9" x 11"	4.91 x 5.7 x 0.28	301.1 (28.0)	284.0 (26.9)	3345 (1518)	37/70	4"-187"	5480	5480	9980
300x375	Multi/Bk	16'2" x 20'0" x 11"	4.91 x 6.1 x 0.28	322.0 (30.0)	304.2 (28.8)	3575 (1622)	37/75	4"-187"	5895	5895	10715
300x400	Multi/Bk	16'2" x 21'4" x 11"	4.91 x 6.5 x 0.28	342.9 (31.9)	324.5 (30.7)	3810 (1729)	37/80	4"-187"	6215	6215	11360
300x425	Multi/Bk	16'2" x 22'8" x 11"	4.91 x 6.89 x 0.28	363.9 (33.8)	344.8 (32.6)	4040 (1833)	37/85	4"-187"	6635	6635	12100
300x450	Multi/Bk	16'2" x 23'11" x 11"	4.91 x 7.29 x 0.28	384.8 (35.8)	365.1 (34.6)	4275 (1940)	37/90	4"-187"	7050	7050	12840
300x475	Multi/Bk	16'2" x 25'3" x 11"	4.91 x 7.69 x 0.28	405.7 (37.8)	385.4 (36.5)	4505 (2044)	37/95	4"-187"	7375	7375	13480
300x500	Multi/Bk	16'2" x 26'6" x 11"	4.91 x 8.08 x 0.28	426.7 (39.7)	405.6 (38.4)	4740 (2151)	37/100	4"-187"	7790	7790	14220
300x525	Multi/Bk	16'2" x 27'10" x 11"	4.91 x 8.48 x 0.28	447.6 (41.6)	425.9 (40.3)	4970 (2255)	37/105	4"-187"	8210	8210	14960
300x550	Multi/Bk	16'2" x 29'2" x 11"	4.91 x 8.87 x 0.28	468.5 (43.6)	446.2 (42.2)	5205 (2361)	37/110	4"-187"	8530	8530	15600
300x575	Multi/Bk	16'2" x 30'5" x 11"	4.91 x 9.27 x 0.28	489.4 (45.5)	466.5 (44.2)	5435 (2466)	37/115	4"-187"	8965	8965	16355
300x600	Multi/Bk	16'2" x 31'9" x 11"	4.91 x 9.67 x 0.28	510.4 (47.5)	486.8 (46.1)	5670 (2572)	37/120	4"-187"	9380	9380	17095
300x625	Multi/Bk	16'2" x 33'0" x 11"	4.91 x 10.06 x 0.28	531.3 (49.4)	507.0 (48.0)	5900 (2677)	37/125	4"-187"	9705	9705	17740
300x650	Multi/Bk	16'2" x 34'4" x 11"	4.91 x 10.46 x 0.28	552.2 (51.4)	527.3 (49.9)	6130 (2781)	37/130	4"-187"	10120	10120	18480
300x675	Multi/Bk	16'2" x 35'8" x 11"	4.91 x 10.86 x 0.28	573.2 (53.3)	547.6 (51.4)	6365 (2888)	37/135	4"-187"	10540	10540	19215
300x700	Multi/Bk	16'2" x 36'11" x 11"	4.91 x 11.25 x 0.28	594.1 (55.2)	567.9 (53.3)	6595 (2992)	37/140	4"-187"	10860	10860	19860
300x725	Multi/Bk	16'2" x 38'3" x 11"	4.91 x 11.65 x 0.28	615.0 (57.2)	588.2 (55.2)	6830 (3099)	37/145	4"-187"	11275	11275	20600
300x750	Multi/Bk	16'2" x 39'6" x 11"	4.91 x 12.04 x 0.28	636.0 (59.1)	608.4 (57.1)	7060 (3203)	37/150	4"-187"	11695	11695	21335
300x775	Multi/Bk	16'2" x 40'10" x 11"	4.91 x 12.44 x 0.28	656.9 (61.1)	628.7 (59.0)	7295 (3309)	37/155	4"-187"	12015	12015	21980
300x800	Multi/Bk	16'2" x 42'2" x 11"	4.91 x 12.84 x 0.28	677.8 (63.0)	649.0 (61.0)	7525 (3414)	37/160	4"-187"	12435	12435	22720
300x825	Multi/Bk	16'2" x 43'5" x 11"	4.91 x 13.23 x 0.28	698.7 (65.0)	669.3 (62.9)	7760 (3520)	37/165	4"-187"	12850	12850	23460
320x100	Multi/Bk	17'2" x 5'9" x 11"	5.23 x 1.74 x 0.28	97.7 (9.1)	86.6 (8.2)	1085 (493)	40/20	4"-199"	1680	1680	3050
320x125	Multi/Bk	17'2" x 7'0" x 11"	5.23 x 2.14 x 0.28	120.0 (11.2)	108.2 (10.2)	1335 (606)	40/25	4"-199"	2120	2120	3830
320x150	Multi/Bk	17'2" x 8'4" x 11"	5.23 x 2.53 x 0.28	142.3 (13.2)	129.8 (12.2)	1580 (717)	40/30	4"-199"	2555	2555	4615
320x175	Multi/Bk	17'2" x 9'8" x 11"	5.23 x 2.93 x 0.28	164.5 (15.3)	151.5 (14.3)	1830 (831)	40/35	4"-199"	2900	2900	5300
320x200	Multi/Bk	17'2" x 10'11" x 11"	5.23 x 3.33 x 0.28	186.8 (17.4)	173.1 (16.3)	2075 (942)	40/40	4"-199"	3340	3340	6080
320x225	Multi/Bk	17'2" x 12'3" x 11"	5.23 x 3.72 x 0.28	209.1 (19.5)	194.7 (18.4)	2325 (1055)	40/45	4"-199"	3775	3775	6860
320x250	Multi/Bk	17'2" x 13'6" x 11"	5.23 x 4.12 x 0.28	231.4 (21.5)	216.4 (20.4)	2570 (1166)	40/50	4"-199"	4120	4120	7550
320x275	Multi/Bk	17'2" x 14'10" x 11"	5.23 x 4.52 x 0.28	253.7 (23.6)	238.0 (22.4)	2820 (1280)	40/55	4"-199"	4560	4560	8330
320x300	Multi/Bk	17'2" x 16'2" x 11"	5.23 x 4.91 x 0.28	276.0 (25.7)	259.6 (24.5)	3065 (1391)	40/60	4"-199"	5000	5000	9110
320x325	Multi/Bk	17'2" x 17'5" x 11"	5.23 x 5.31 x 0.28	298.2 (27.8)	281.3 (26.5)	3315 (1504)	40/65	4"-199"	5340	5340	9800
320x350	Multi/Bk	17'2" x 18'9" x 11"	5.23 x 5.7 x 0.28	320.5 (29.8)	302.9 (28.6)	3560 (1615)	40/70	4"-199"	5780	5780	10580
320x375	Multi/Bk	17'2" x 20'0" x 11"	5.23 x 6.1 x 0.28	342.8 (31.9)	324.5 (30.6)	3810 (1729)	40/75	4"-199"	6220	6220	11360
320x400	Multi/Bk	17'2" x 21'4" x 11"	5.23 x 6.5 x 0.28	365.1 (34.0)	346.2 (32.6)	4055 (1840)	40/80	4"-199"	6560	6560	12045
320x425	Multi/Bk	17'2" x 22'8" x 11"	5.23 x 6.89 x 0.28	387.4 (36.0)	367.8 (34.7)	4300 (1951)	40/85	4"-199"	7000	7000	12830
320x450	Multi/Bk	17'2" x 23'11" x 11"	5.23 x 7.29 x 0.28	409.6 (38.1)	389.4 (36.7)	4550 (2064)	40/90	4"-199"	7440	7440	13610
320x475	Multi/Bk	17'2" x 25'3" x 11"	5.23 x 7.69 x 0.28	431.9 (40.2)	411.1 (38.8)	4795 (2175)	40/95	4"-199"	7780	7780	14295
320x500	Multi/Bk	17'2" x 26'6" x 11"	5.23 x 8.08 x 0.28	454.2 (42.3)	432.7 (40.8)	5045 (2289)	40/100	4"-199"	8220	8220	15080
320x525	Multi/Bk	17'2" x 27'10" x 11"	5.23 x 8.48 x 0.28	476.5 (44.4)	454.3 (42.8)	5290 (2400)	40/105	4"-199"	8660	8660	15860
320x550	Multi/Bk	17'2" x 29'2" x 11"	5.23 x 8.87 x 0.28	498.8 (46.4)	476.0 (44.9)	5540 (2513)	40/110	4"-199"	9000	9000	16545
320x575	Multi/Bk	17'2" x 30'5" x 11"	5.23 x 9.27 x 0.28	521.1 (48.5)	497.6 (46.9)	5785 (2625)	40/115	4"-199"	9460	9460	17340
320x600	Multi/Bk	17'2" x 31'9" x 11"	5.23 x 9.67 x 0.28	543.3 (50.6)	519.2 (49.0)	6035 (2738)	40/120	4"-199"	9895	9895	18125
320x625	Multi/Bk	17'2" x 33'0" x 11"	5.23 x 10.06 x 0.28	565.6 (52.6)	540.8 (51.0)	6280 (2849)	40/125	4"-199"	10240	10240	18810
320x650	Multi/Bk	17'2" x 34'4" x 11"	5.23 x 10.46 x 0.28	587.9 (54.7)	562.5 (53.0)	6530 (2962)	40/130	4"-199"	10680	10680	19590
320x675	Multi/Bk	17'2" x 35'8" x 11"	5.23 x 10.86 x 0.28	610.2 (56.8)	584.1 (54.6)	6775 (3074)	40/135	4"-199"	11115	11115	20375
320x700	Multi/Bk	17'2" x 36'11" x 11"	5.23 x 11.25 x 0.28	632.5 (58.8)	605.7 (56.6)	7025 (3187)	40/140	4"-199"	11460	11460	21060

# GALAXY® GS6 15.85 MM PRODUCT SPECIFICATIONS

Lines x Columns	Sections/Ventilated	Cabinet Dimensions Feet-Inches H x W x D	Cabinet Dimensions Meters H x W x D	Cabinet Square Feet (Square Meters)	Active Area Square Feet (Square Meters)	Cabinet Weight Pounds (kilograms)	Lines/Characters per line	Character Height	Maximum Watts		
									Amber	Red	RGB
320x725	Multi/Bk	17'2" x 38'3" x 11"	5.23 x 11.65 x 0.28	654.7 (60.9)	627.4 (58.7)	7270 (3298)	40/145	4"-199"	11900	11900	21840
320x750	Multi/Bk	17'2" x 39'6" x 11"	5.23 x 12.04 x 0.28	677.0 (63.0)	649.0 (60.7)	7515 (3409)	40/150	4"-199"	12340	12340	22620
320x775	Multi/Bk	17'2" x 40'10" x 11"	5.23 x 12.44 x 0.28	699.3 (65.1)	670.6 (62.7)	7765 (3523)	40/155	4"-199"	12680	12680	23310
320x800	Multi/Bk	17'2" x 42'2" x 11"	5.23 x 12.84 x 0.28	721.6 (67.2)	692.3 (64.8)	8010 (3634)	40/160	4"-199"	13120	13120	24090
320x825	Multi/Bk	17'2" x 43'5" x 11"	5.23 x 13.23 x 0.28	743.9 (69.2)	713.9 (66.8)	8260 (3747)	40/165	4"-199"	13560	13560	24870
340x100	Multi/Bk	18'3" x 5'9" x 11"	5.55 x 1.74 x 0.28	103.6 (9.7)	92.0 (8.6)	1155 (524)	42/20	4"-212"	1765	1765	3220
340x125	Multi/Bk	18'3" x 7'0" x 11"	5.55 x 2.14 x 0.28	127.3 (11.9)	115.0 (10.8)	1415 (642)	42/25	4"-212"	2225	2225	4045
340x150	Multi/Bk	18'3" x 8'4" x 11"	5.55 x 2.53 x 0.28	150.9 (14.0)	138.0 (13.0)	1675 (760)	42/30	4"-212"	2685	2685	4870
340x175	Multi/Bk	18'3" x 9'8" x 11"	5.55 x 2.93 x 0.28	174.5 (16.3)	160.9 (15.1)	1940 (880)	42/35	4"-212"	3050	3050	5600
340x200	Multi/Bk	18'3" x 10'11" x 11"	5.55 x 3.33 x 0.28	198.2 (18.5)	183.9 (17.3)	2200 (998)	42/40	4"-212"	3510	3510	6425
340x225	Multi/Bk	18'3" x 12'3" x 11"	5.55 x 3.72 x 0.28	221.8 (20.6)	206.9 (19.4)	2465 (1119)	42/45	4"-212"	3970	3970	7250
340x250	Multi/Bk	18'3" x 13'6" x 11"	5.55 x 4.12 x 0.28	245.4 (22.9)	229.9 (21.6)	2725 (1237)	42/50	4"-212"	4335	4335	7975
340x275	Multi/Bk	18'3" x 14'10" x 11"	5.55 x 4.52 x 0.28	269.1 (25.1)	252.9 (23.8)	2990 (1357)	42/55	4"-212"	4795	4795	8800
340x300	Multi/Bk	18'3" x 16'2" x 11"	5.55 x 4.91 x 0.28	292.7 (27.3)	275.9 (25.9)	3250 (1475)	42/60	4"-212"	5255	5255	9625
340x325	Multi/Bk	18'3" x 17'5" x 11"	5.55 x 5.31 x 0.28	316.3 (29.5)	298.8 (28.1)	3515 (1595)	42/65	4"-212"	5620	5620	10355
340x350	Multi/Bk	18'3" x 18'9" x 11"	5.55 x 5.7 x 0.28	340.0 (31.6)	321.8 (30.2)	3775 (1713)	42/70	4"-212"	6080	6080	11180
340x375	Multi/Bk	18'3" x 20'0" x 11"	5.55 x 6.1 x 0.28	363.6 (33.9)	344.8 (32.4)	4040 (1833)	42/75	4"-212"	6540	6540	12005
340x400	Multi/Bk	18'3" x 21'4" x 11"	5.55 x 6.5 x 0.28	387.2 (36.1)	367.8 (34.6)	4300 (1951)	42/80	4"-212"	6905	6905	12730
340x425	Multi/Bk	18'3" x 22'8" x 11"	5.55 x 6.89 x 0.28	410.9 (38.2)	390.8 (36.7)	4565 (2071)	42/85	4"-212"	7365	7365	13555
340x450	Multi/Bk	18'3" x 23'11" x 11"	5.55 x 7.29 x 0.28	434.5 (40.5)	413.8 (38.9)	4825 (2189)	42/90	4"-212"	7825	7825	14380
340x475	Multi/Bk	18'3" x 31'9" x 11"	5.55 x 7.69 x 0.28	458.1 (42.7)	436.7 (41.0)	5090 (2309)	42/95	4"-212"	8190	8190	15110
340x500	Multi/Bk	18'3" x 26'6" x 11"	5.55 x 8.08 x 0.28	481.8 (44.8)	459.7 (43.2)	5350 (2427)	42/100	4"-212"	8650	8650	15935
340x525	Multi/Bk	18'3" x 27'10" x 11"	5.55 x 8.48 x 0.28	505.4 (47.1)	482.7 (45.4)	5610 (2545)	42/105	4"-212"	9110	9110	16760
340x550	Multi/Bk	18'3" x 29'2" x 11"	5.55 x 8.87 x 0.28	529.0 (49.2)	505.7 (47.5)	5875 (2665)	42/110	4"-212"	9475	9475	17485
340x575	Multi/Bk	18'3" x 30'5" x 11"	5.55 x 9.27 x 0.28	552.7 (51.4)	528.7 (49.7)	6135 (2783)	42/115	4"-212"	9950	9950	18330
340x600	Multi/Bk	18'3" x 31'9" x 11"	5.55 x 9.67 x 0.28	576.3 (53.7)	551.7 (51.8)	6400 (2903)	42/120	4"-212"	10410	10410	19155
340x625	Multi/Bk	18'3" x 33'0" x 11"	5.55 x 10.06 x 0.28	599.9 (55.8)	574.6 (54.0)	6660 (3021)	42/125	4"-212"	10775	10775	19880
340x650	Multi/Bk	18'3" x 34'4" x 11"	5.55 x 10.46 x 0.28	623.6 (58.1)	597.6 (56.2)	6925 (3142)	42/130	4"-212"	11235	11235	20705
340x675	Multi/Bk	18'3" x 35'8" x 11"	5.55 x 10.86 x 0.28	647.2 (60.3)	620.6 (57.8)	7185 (3260)	42/135	4"-212"	11695	11695	21530
340x700	Multi/Bk	18'3" x 36'11" x 11"	5.55 x 11.25 x 0.28	670.8 (62.4)	643.6 (59.9)	7450 (3380)	42/140	4"-212"	12060	12060	22260
340x725	Multi/Bk	18'3" x 38'3" x 11"	5.55 x 11.65 x 0.28	694.5 (64.7)	666.6 (62.1)	7710 (3498)	42/145	4"-212"	12520	12520	23085
340x750	Multi/Bk	18'3" x 39'6" x 11"	5.55 x 12.04 x 0.28	718.1 (66.8)	689.6 (64.3)	7975 (3618)	42/150	4"-212"	12980	12980	23910
340x775	Multi/Bk	18'3" x 40'10" x 11"	5.55 x 12.44 x 0.28	741.7 (69.0)	712.6 (66.4)	8235 (3736)	42/155	4"-212"	13345	13345	24635
340x800	Multi/Bk	18'3" x 42'2" x 11"	5.55 x 12.84 x 0.28	765.4 (71.3)	735.5 (68.6)	8500 (3856)	42/160	4"-212"	13805	13805	25460
340x825	Multi/Bk	18'3" x 43'5" x 11"	5.55 x 13.23 x 0.28	789.0 (73.4)	758.5 (70.7)	8760 (3974)	42/165	4"-212"	14265	14265	26285
360x100	Multi/Bk	19'3" x 5'9" x 11"	5.86 x 1.74 x 0.28	109.6 (10.2)	97.4 (9.3)	1220 (554)	45/20	4"-224"	1850	1850	3390
360x125	Multi/Bk	19'3" x 7'0" x 11"	5.86 x 2.14 x 0.28	134.5 (12.5)	121.7 (11.6)	1495 (679)	45/25	4"-224"	2330	2330	4260
360x150	Multi/Bk	19'3" x 8'4" x 11"	5.86 x 2.53 x 0.28	159.5 (14.8)	146.1 (13.9)	1775 (806)	45/30	4"-224"	2815	2815	5130
360x175	Multi/Bk	19'3" x 9'8" x 11"	5.86 x 2.93 x 0.28	184.5 (17.2)	170.4 (16.2)	2050 (930)	45/35	4"-224"	3200	3200	5900
360x200	Multi/Bk	19'3" x 10'11" x 11"	5.86 x 3.33 x 0.28	209.5 (19.5)	194.7 (18.6)	2330 (1057)	45/40	4"-224"	3680	3680	6765
360x225	Multi/Bk	19'3" x 12'3" x 11"	5.86 x 3.72 x 0.28	234.5 (21.8)	219.1 (20.9)	2605 (1182)	45/45	4"-224"	4160	4160	7635
360x250	Multi/Bk	19'3" x 13'6" x 11"	5.86 x 4.12 x 0.28	259.5 (24.1)	243.4 (23.2)	2885 (1309)	45/50	4"-224"	4550	4550	8405
360x275	Multi/Bk	19'3" x 14'10" x 11"	5.86 x 4.52 x 0.28	284.5 (26.5)	267.7 (25.5)	3160 (1434)	45/55	4"-224"	5030	5030	9270
360x300	Multi/Bk	19'3" x 16'2" x 11"	5.86 x 4.91 x 0.28	309.4 (28.8)	292.1 (27.8)	3435 (1559)	45/60	4"-224"	5510	5510	10140
360x325	Multi/Bk	19'3" x 17'5" x 11"	5.86 x 5.31 x 0.28	334.4 (31.1)	316.4 (30.2)	3715 (1686)	45/65	4"-224"	5900	5900	10910
360x350	Multi/Bk	19'3" x 18'9" x 11"	5.86 x 5.7 x 0.28	359.4 (33.4)	340.8 (32.5)	3990 (1810)	45/70	4"-224"	6380	6380	11780
360x375	Multi/Bk	19'3" x 20'0" x 11"	5.86 x 6.1 x 0.28	384.4 (35.7)	365.1 (34.8)	4270 (1937)	45/75	4"-224"	6860	6860	12645
360x400	Multi/Bk	19'3" x 21'4" x 11"	5.86 x 6.5 x 0.28	409.4 (38.1)	389.4 (37.1)	4545 (2062)	45/80	4"-224"	7245	7245	13420
360x425	Multi/Bk	19'3" x 22'8" x 11"	5.86 x 6.89 x 0.28	434.4 (40.4)	413.8 (39.4)	4825 (2189)	45/85	4"-224"	7730	7730	14285
360x450	Multi/Bk	19'3" x 23'11" x 11"	5.86 x 7.29 x 0.28	459.4 (42.7)	438.1 (41.8)	5100 (2314)	45/90	4"-224"	8210	8210	15150
360x475	Multi/Bk	19'3" x 25'3" x 11"	5.86 x 7.69 x 0.28	484.3 (45.1)	462.4 (44.1)	5380 (2441)	45/95	4"-224"	8595	8595	15925
360x500	Multi/Bk	19'3" x 26'6" x 11"	5.86 x 8.08 x 0.28	509.3 (47.3)	486.8 (46.4)	5655 (2566)	45/100	4"-224"	9080	9080	16790
360x525	Multi/Bk	19'3" x 27'10" x 11"	5.86 x 8.48 x 0.28	534.3 (49.7)	511.1 (48.7)	5935 (2693)	45/105	4"-224"	9560	9560	17660
360x550	Multi/Bk	19'3" x 29'2" x 11"	5.86 x 8.87 x 0.28	559.3 (52.0)	535.4 (51.0)	6210 (2817)	45/110	4"-224"	9945	9945	18430
360x575	Multi/Bk	19'3" x 30'5" x 11"	5.86 x 9.27 x 0.28	584.3 (54.3)	559.8 (53.4)	6490 (2944)	45/115	4"-224"	10440	10440	19315
360x600	Multi/Bk	19'3" x 31'9" x 11"	5.86 x 9.67 x 0.28	609.3 (56.7)	584.1 (55.7)	6765 (3069)	45/120	4"-224"	10925	10925	20180
360x625	Multi/Bk	19'3" x 33'0" x 11"	5.86 x 10.06 x 0.28	634.3 (59.0)	608.4 (58.0)	7045 (3196)	45/125	4"-224"	11310	11310	20955
360x650	Multi/Bk	19'3" x 34'4" x 11"	5.86 x 10.46 x 0.28	659.2 (61.3)	632.8 (60.3)	7320 (3321)	45/130	4"-224"	11790	11790	21820
360x675	Multi/Bk	19'3" x 35'8" x 11"	5.86 x 10.86 x 0.28	684.2 (63.6)	657.1 (62.1)	7595 (3446)	45/135	4"-224"	12275	12275	22690
360x700	Multi/Bk	19'3" x 36'11" x 11"	5.86 x 11.25 x 0.28	709.2 (65.9)	681.5 (64.4)	7875 (3573)	45/140	4"-224"	12660	12660	23460
360x725	Multi/Bk	19'3" x 38'3" x 11"	5.86 x 11.65 x 0.28	734.2 (68.3)	705.8 (66.7)	8150 (3697)	45/145	4"-224"	13140	13140	24325
360x750	Multi/Bk	19'3" x 39'6" x 11"	5.86 x 12.04 x 0.28	759.2 (70.6)	730.1 (69.0)	8430 (3824)	45/150	4"-224"	13620	13620	25195
360x775	Multi/Bk	19'3" x 40'10" x 11"	5.86 x 12.44 x 0.28	784.2 (72.9)	754.5 (71.3)	8705 (3949)	45/155	4"-224"	14005	14005	25965
360x800	Multi/Bk	19'3" x 42'2" x 11"	5.86 x 12.84 x 0.28	809.2 (75.2)	778.8 (73.7)	8985 (4076)	45/160	4"-224"	14490	14490	26835
360x825	Multi/Bk	19'3" x 43'5" x 11"	5.86 x 13.23 x 0.28	834.1 (77.5)	803.1 (76.0)	9260 (4201)	45/165	4"-224"	14970	14970	27700

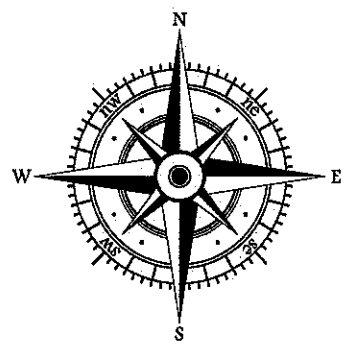
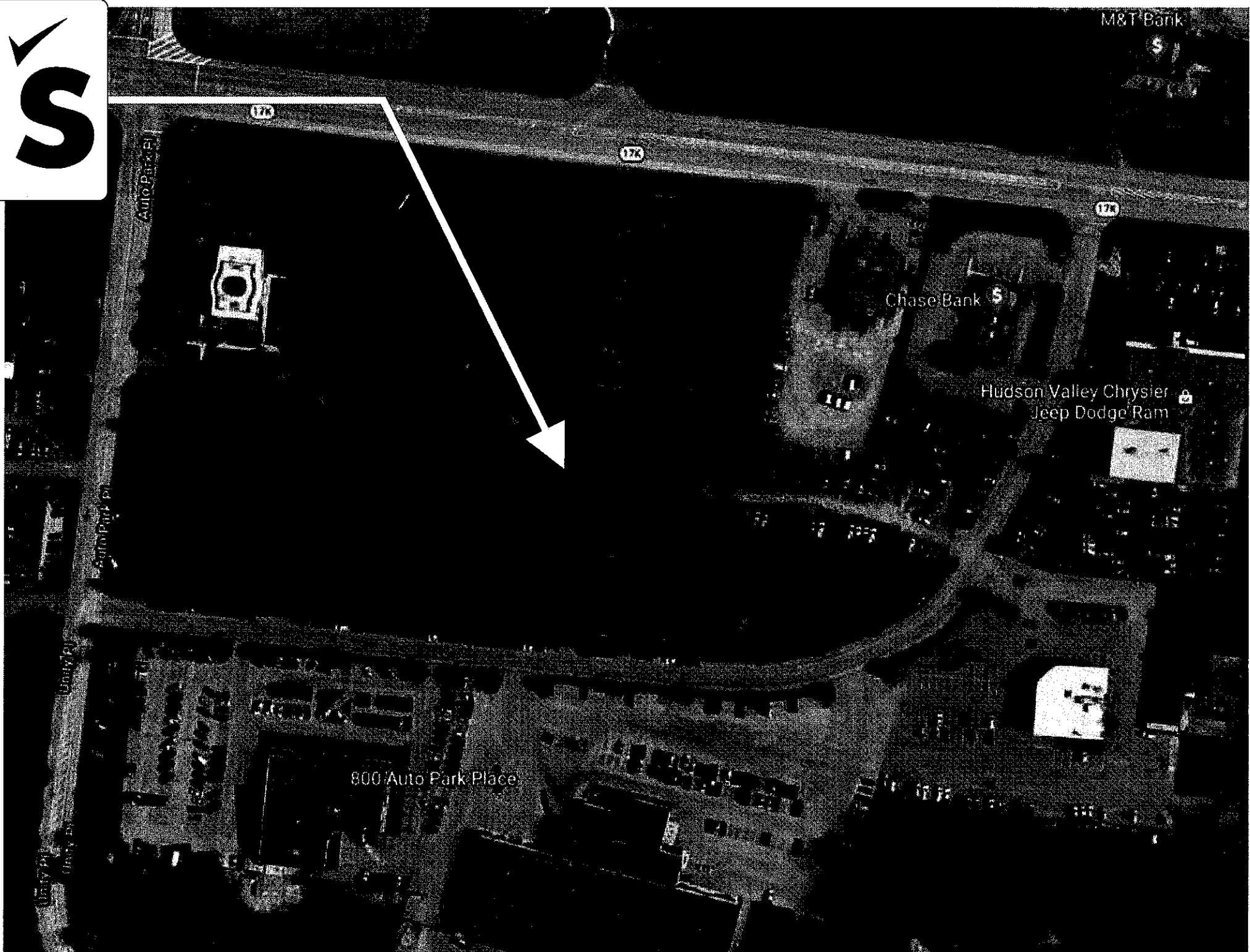


CLUB #12550  
800 AUTO PARK PLACE  
NEWBURGH, NY 12550

Job Number: 22130



RECEIVED  
FEB 19 2020  
MCGOEY, HAUSER, AND EDSALL  
CONSULTING ENGINEERS D.P.C.



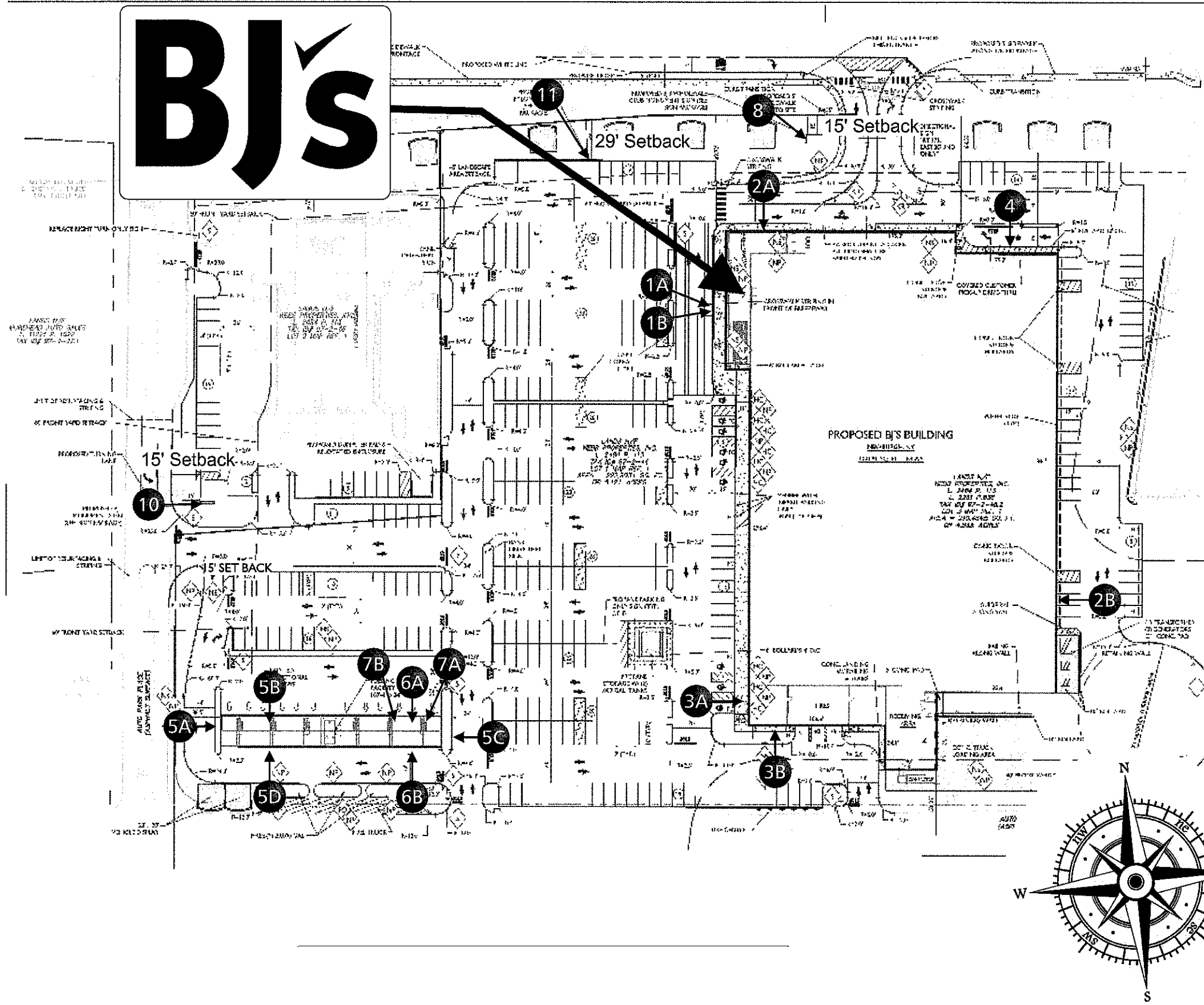
**b** **broadwaynational**  
 100 Davids Drive, Hauppauge, NY 11788  
 P631.737.3140 F631.737.3160  
 INTERNAL USE ONLY: 22130\_02.10.20\_17.05\_IB

AERIAL VIEW  
**BJ's**

Approved  Rejected  
 Approved with Corrections  Revise and Resubmit  
 Signature: \_\_\_\_\_ Date: \_\_\_\_\_

CLUB #12550  
 800 AUTO PARK PLACE  
 NEWBURGH, NY 12550

# BJ's



### SITE PLAN LEGEND

- 1A BJ'S MAIN SIGN
- 1B WHOLESALE CABINET
- 2A BJ'S 7'-0" H MAIN SIGN
- 2B BJ'S 7'-0" H MAIN SIGN
- 3A TIRE SALES SERVICE & PROPANE
- 3B TIRE SALES SERVICE & PROPANE
- 4 ONLINE PICK-UP SIGN
- 5A BJ'S GAS CANOPY SIGN
- 5B BJ'S GAS CANOPY SIGN
- 5C BJ'S GAS CANOPY SIGN
- 5D BJ'S GAS CANOPY SIGN
- 6A CLEARANCE 1ST SURFACE VINYL
- 6B CLEARANCE 1ST SURFACE VINYL
- 7A BJ'S FOUR SIDED DIESEL VINYL SIGN
- 7B BJ'S FOUR SIDED DIESEL VINYL SIGN
- 8 DOUBLE FACED MONUMENT BJ'S CLUB/GAS CABINET LED PRICER INSERT
- 9A OPENING SOON ROAD SIGN
- 9B OPENING SOON ROAD SIGN
- 10 DOUBLE SIDED LED ILLUMINATED MONUMENT SIGN
- 11 PYLON SIGN
- 12 "OPENING SOON" BANNER

**b** **broadwaynational**  
 100 Davids Drive, Hauppauge, NY 11788  
 P631.737.3140 F631.737.3160  
 INTERNAL USE ONLY: 22130\_02.10.20\_17.05\_IB

SITE PLAN  
**BJ's**

Approved  Rejected  
 Approved with Corrections  Revise and Resubmit  
 Signature: \_\_\_\_\_ Date: \_\_\_\_\_

CLUB #12550  
 800 AUTO PARK PLACE  
 NEWBURGH, NY 12550



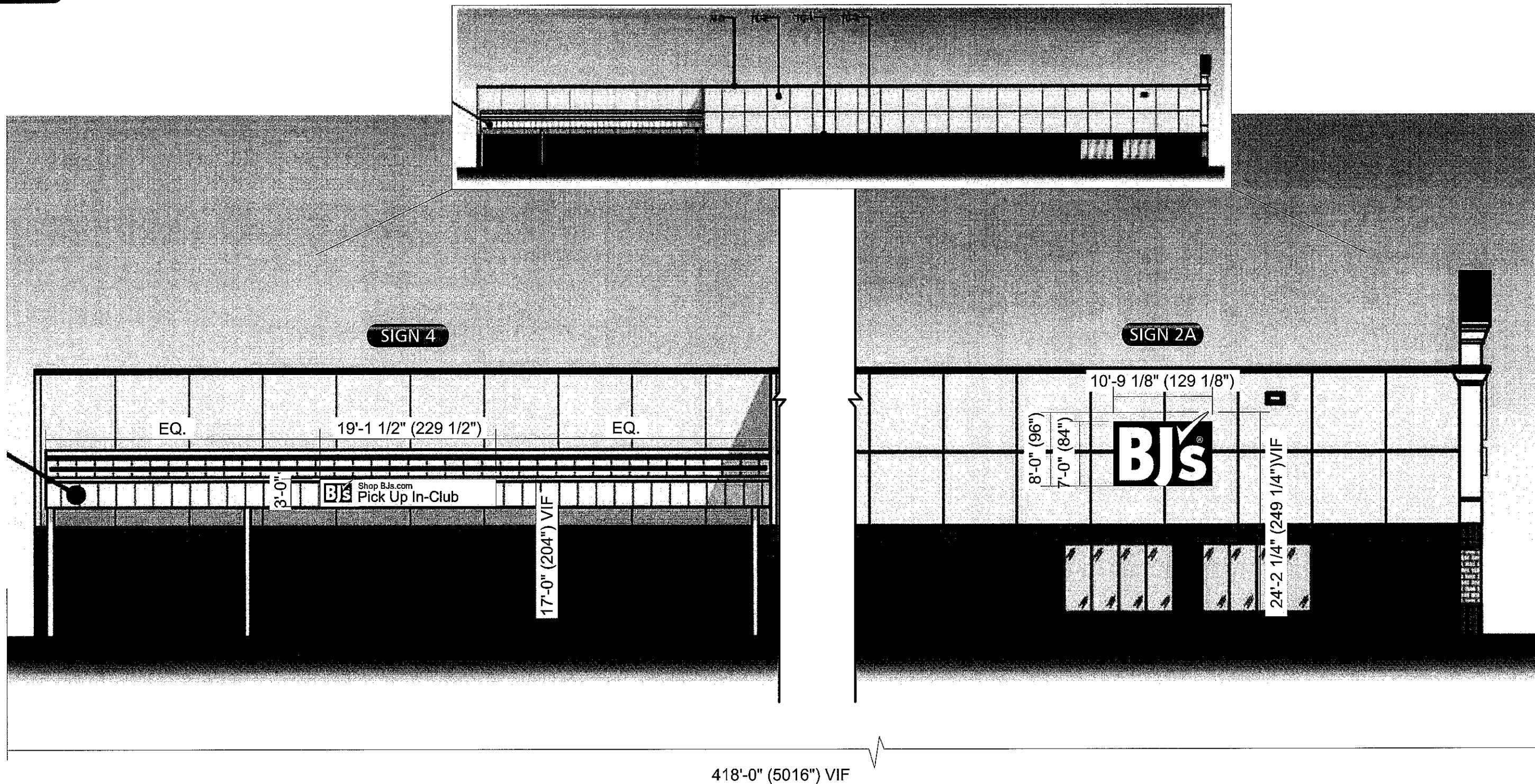


SIGN 2A  
SIGN 4

ELEVATION BJ'S (NORTH)

Scale: 3/32" = 1'-0"

### SIGN 4 - ORIGINAL OPTION (3'-0" H)





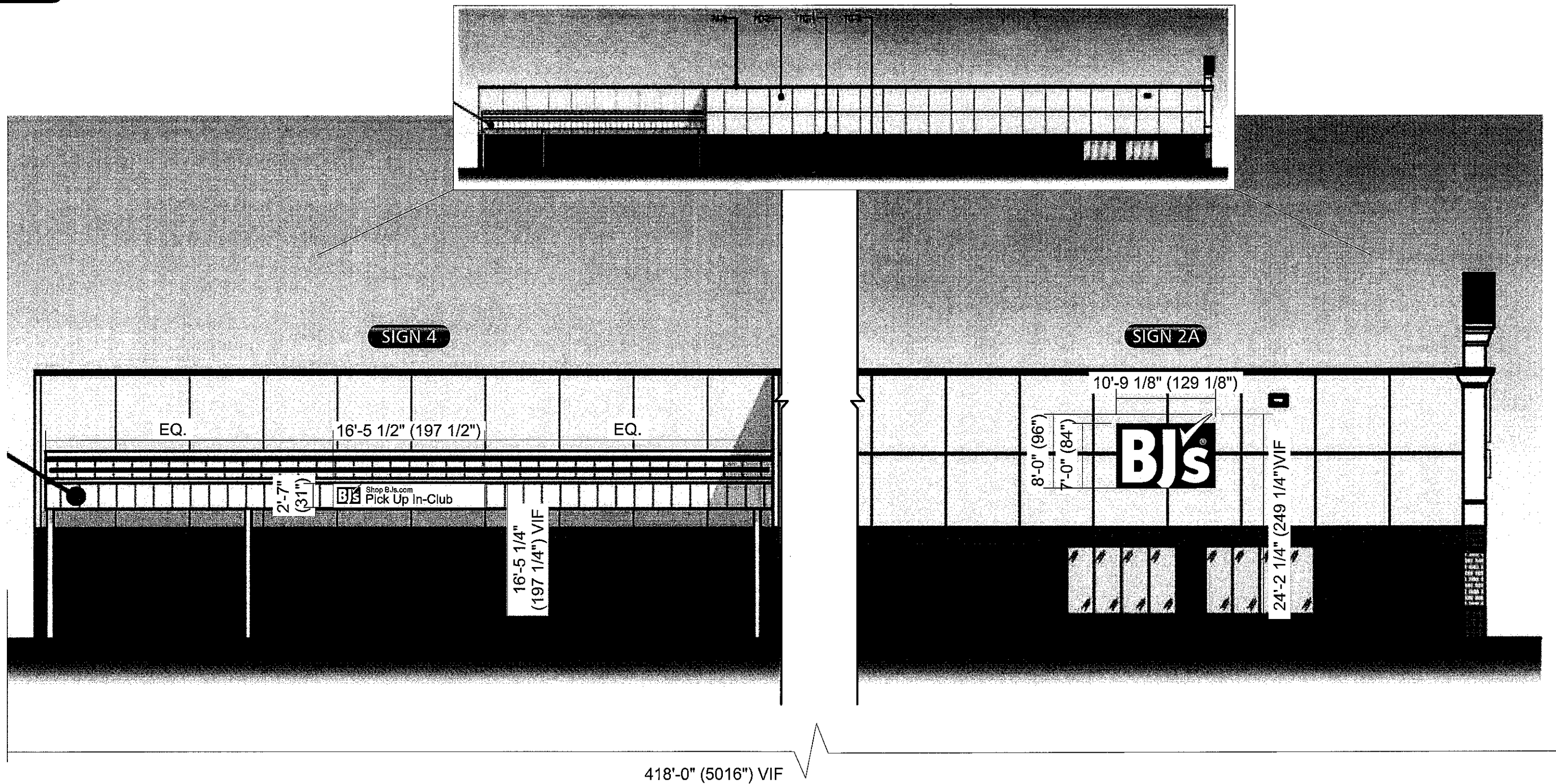
SIGN 2A

ELEVATION BJ'S (NORTH)

Scale: 3/32" = 1'-0"

SIGN 4

### SIGN 4 - SECOND OPTION (2'-7" H)



418'-0" (5016") VIF

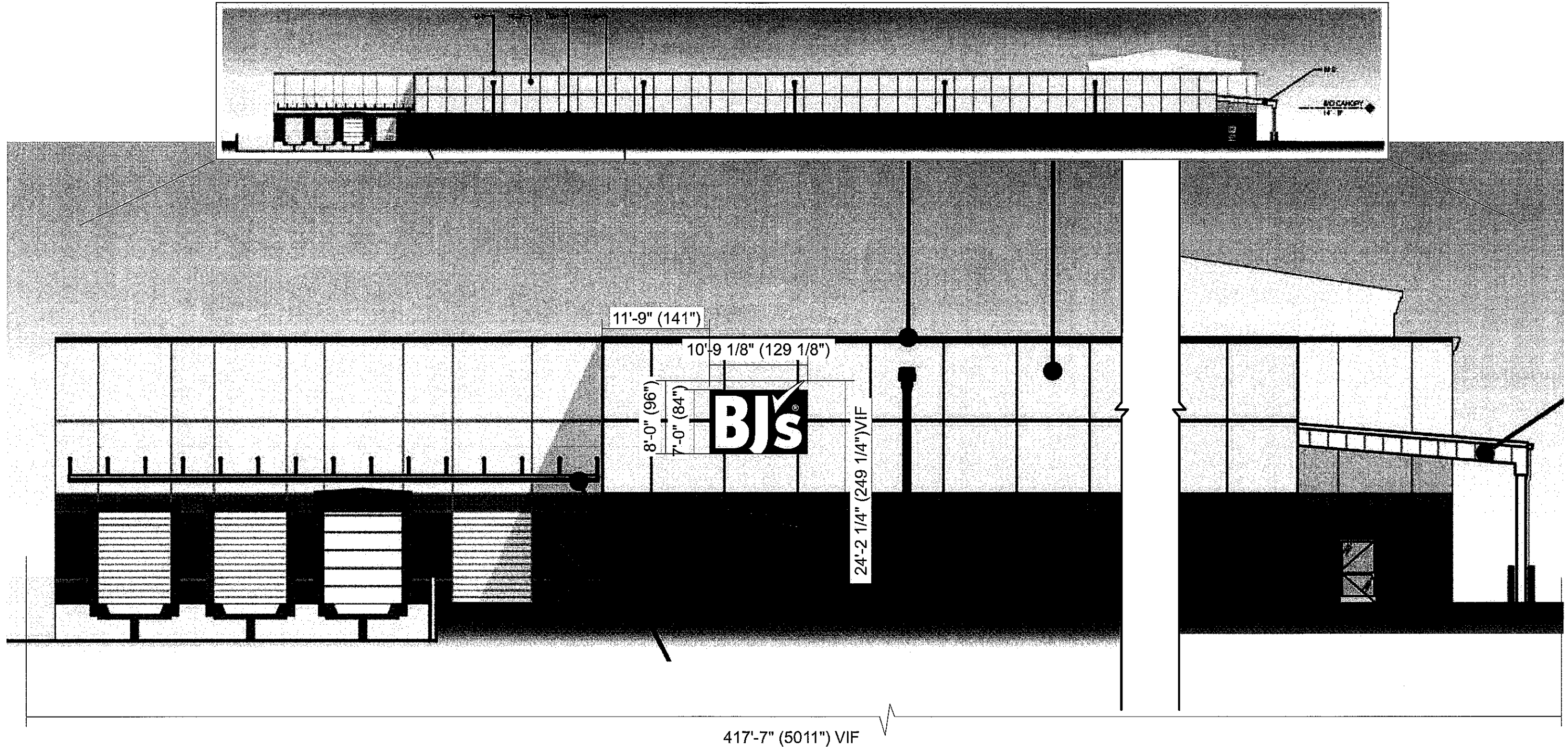
**b** **broadwaynational**  
 100 Davids Drive, Hauppauge, NY 11788  
 P631.737.3140 F631.737.3160  
 INTERNAL USE ONLY: 22130\_02.10.20\_17.05\_IB

ELEVATION  
**BJ's**

Approved  Rejected  
 Approved with Corrections  Revise and Resubmit  
 Signature: \_\_\_\_\_ Date: \_\_\_\_\_

CLUB #12550  
 800 AUTO PARK PLACE  
 NEWBURGH, NY 12550

This artwork is the property of Broadway National. Unauthorized use, publication or distribution is prohibited.









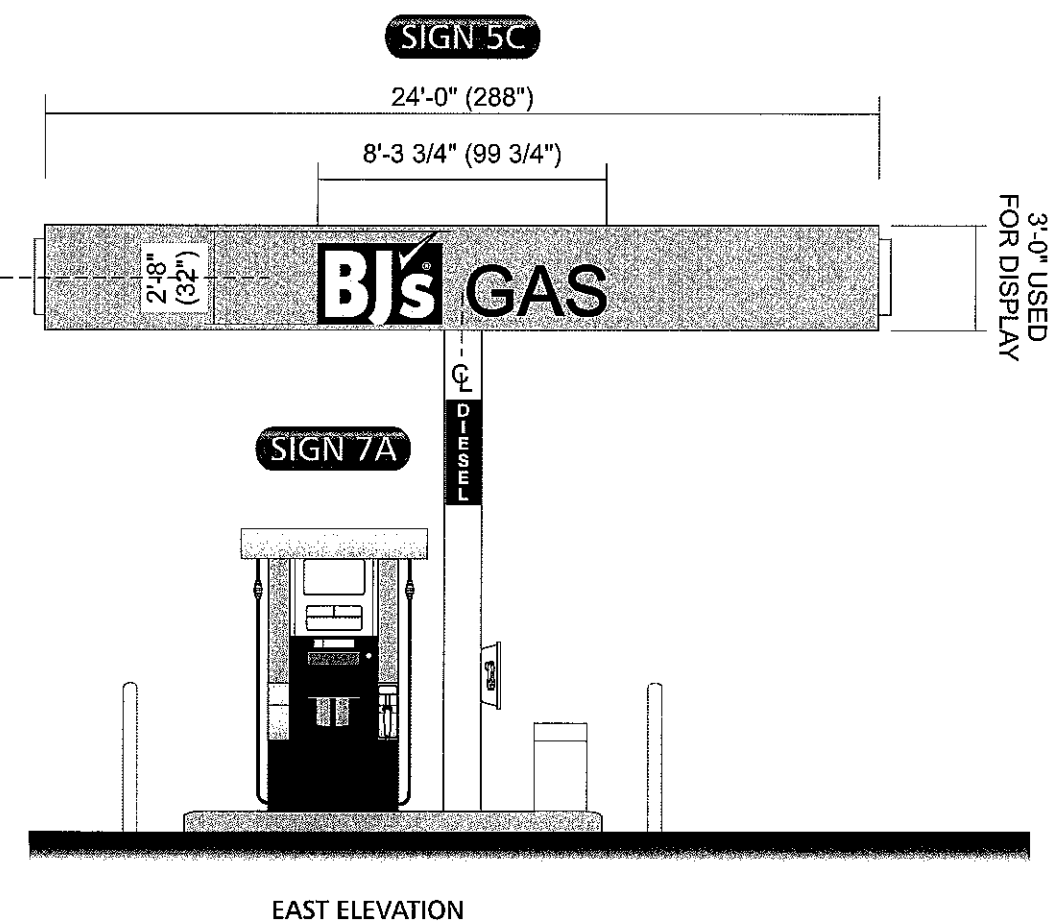
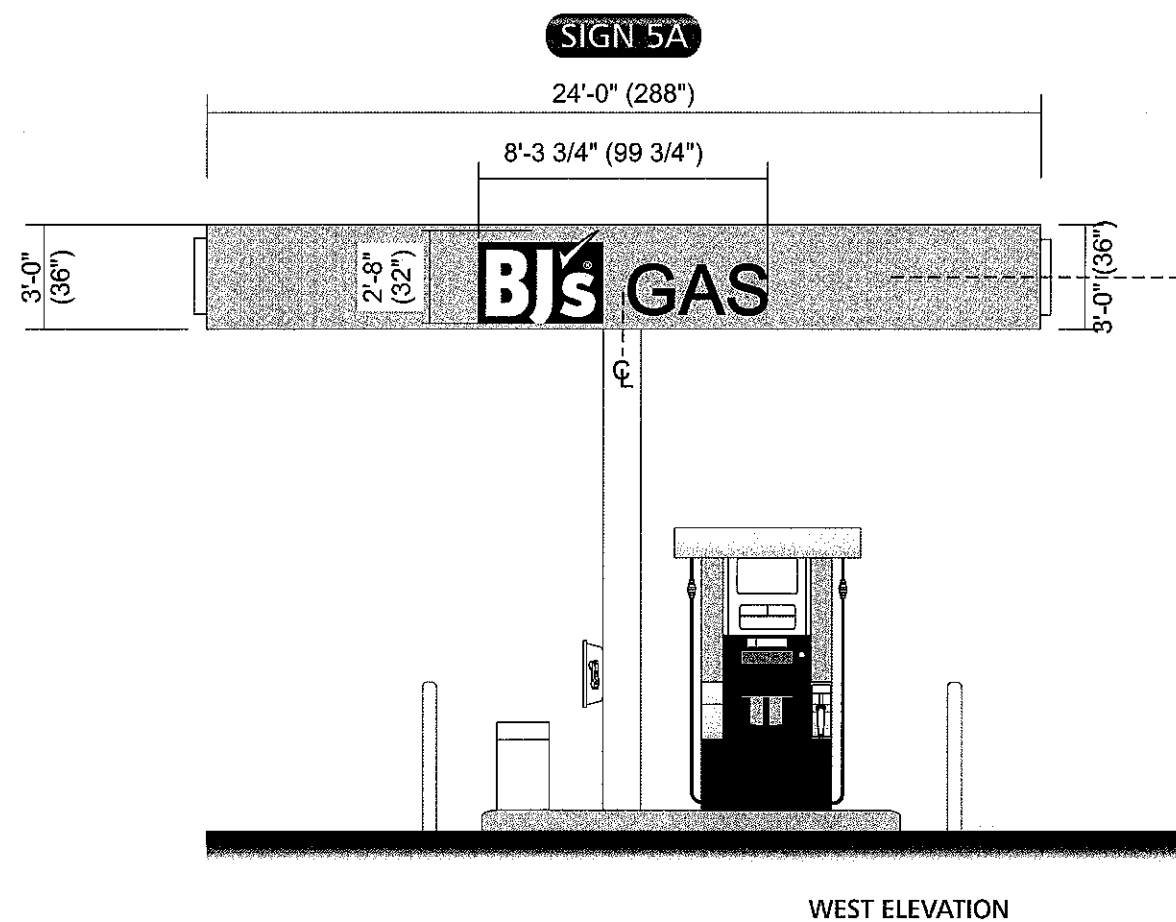
SIGN 5 A, C  
SIGN 7 A

RENDERING/ELEVATION BJ's (WEST/EAST)

Scale: 3/16" = 1'-0"

NOTES  
CANOPY HEIGHT AND HEIGHT ABOVE GRADE TO BE VERIFIED

NOTES  
DRAWING IS FOR CONCEPT ONLY  
MATERIALS, FABRICATION, DIMS & MOUNTING METHODS TO BE DETERMINED



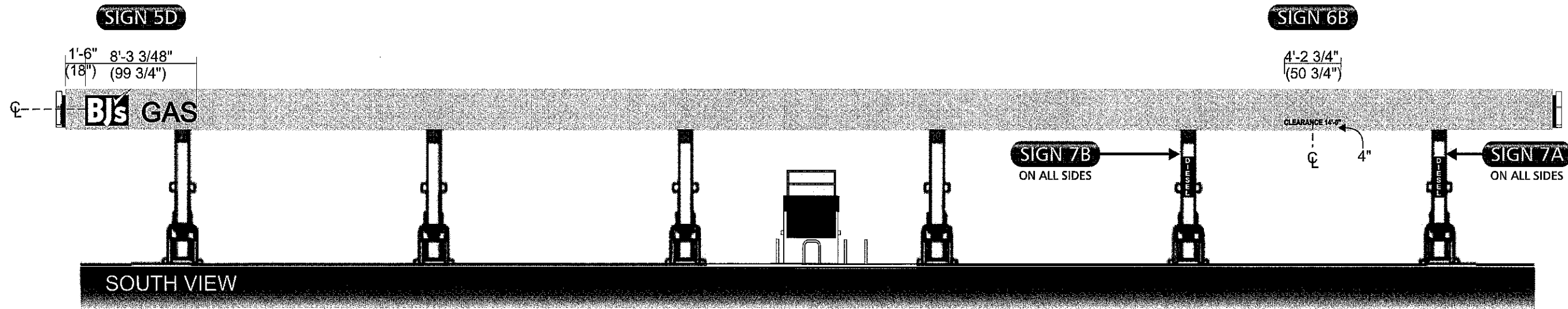
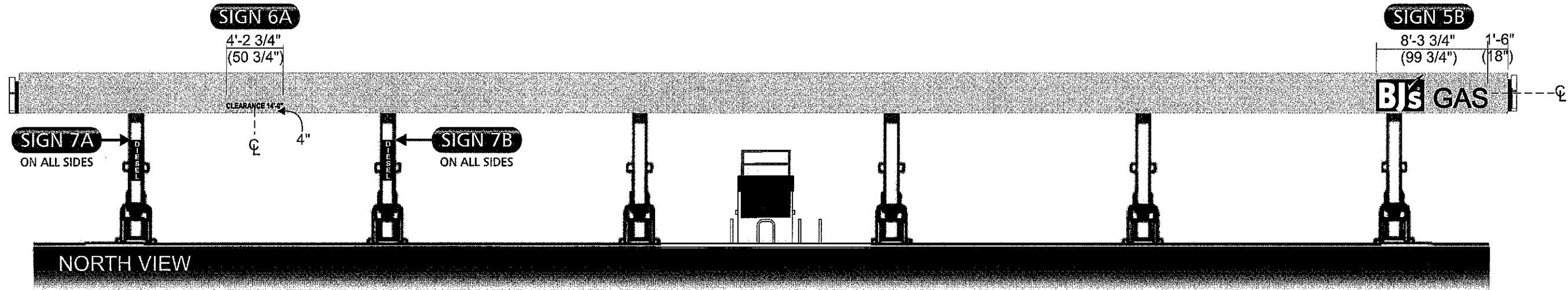
SIGN 5 B, D  
SIGN 6 A, B  
SIGN 7 A, B

**NORTH/SOUTH ELEVATION**

Scale: 1/8"=1'-0"

**NOTES**  
CANOPY HEIGHT AND HEIGHT ABOVE GRADE TO BE VERIFIED

**NOTES**  
DRAWING IS FOR CONCEPT ONLY  
MATERIALS, FABRICATION, DIMS & MOUNTING METHODS TO BE DETERMINED

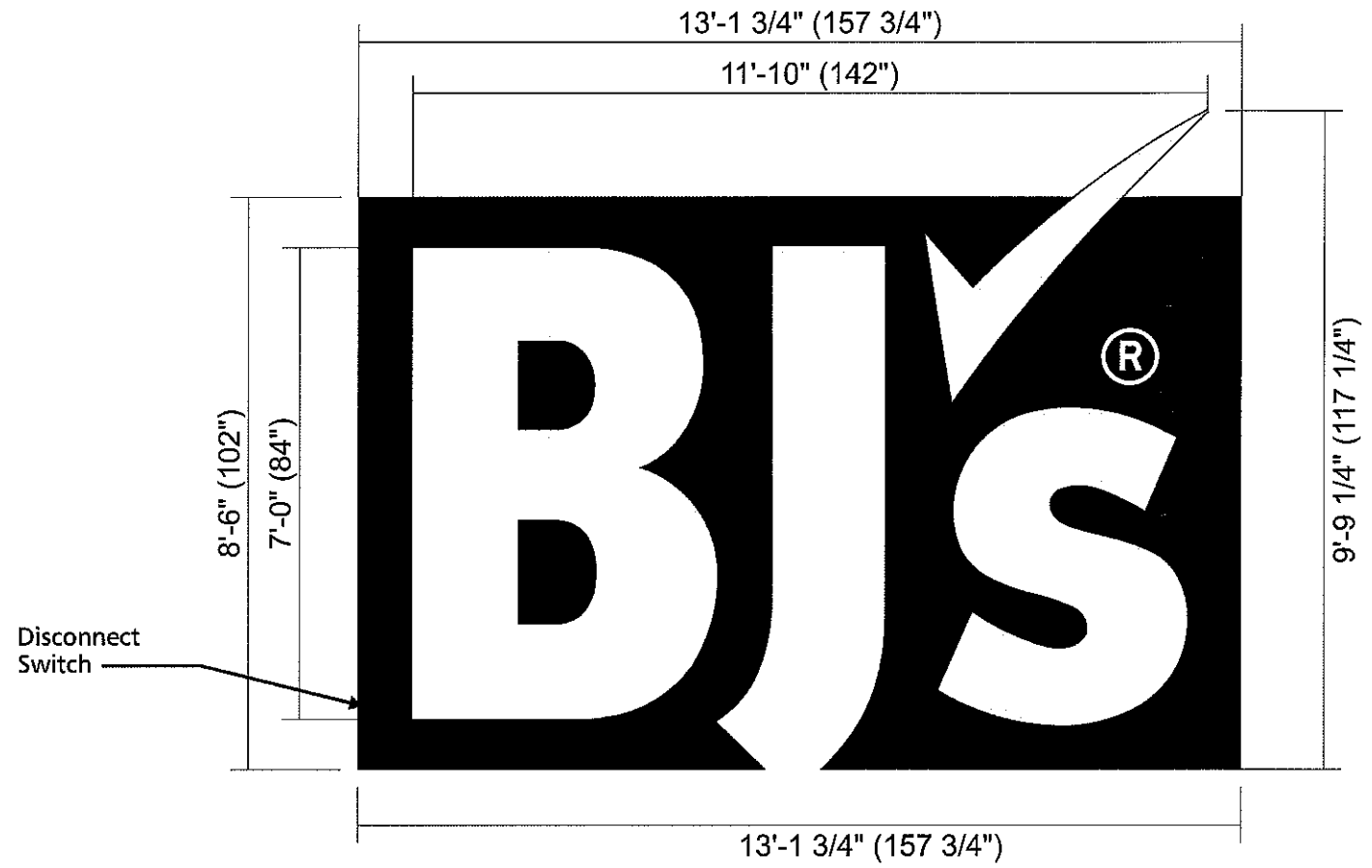


QTY (1)  
SIGN 1A

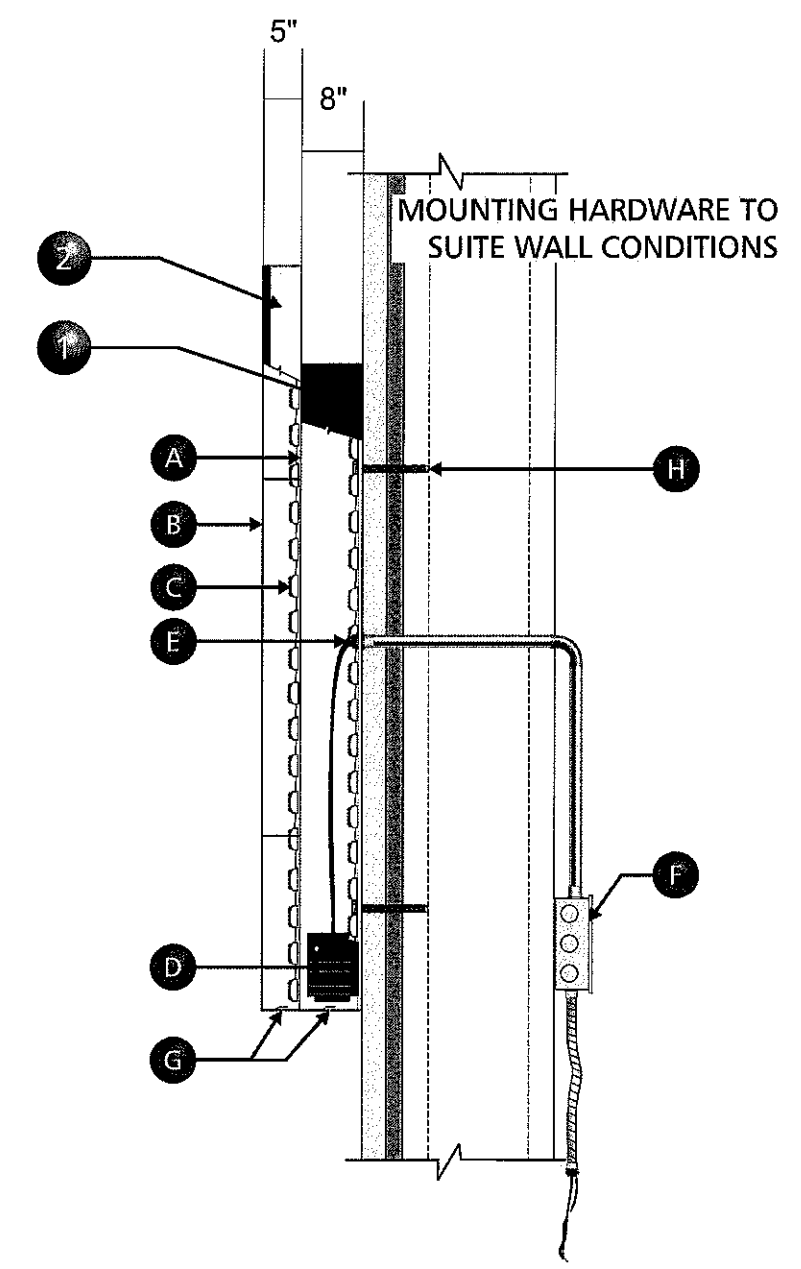
BJ's MAIN BRAND SIGN - LED ILLUMINATED CABINET/CHANNEL LETTERS

Scale: 3/8" = 1'-0"

128.45 Sq. Ft.



SIDE DETAIL  
SCALE: NOT TO SCALE

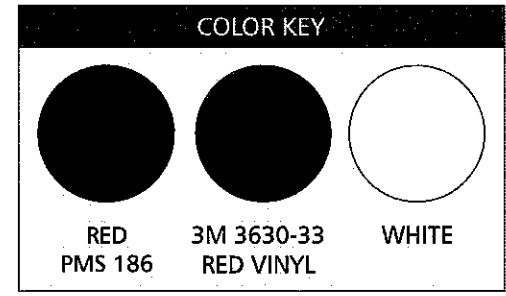


- 1 Illuminated backer cabinet: 8" SignComp (1922/1927) body with 1944 retainers PTM PMS 186
- A Polycarbonate with translucent vinyl overlay 3M 3630-33 - seam required
- 2 BJ 's Channel Letters: 5" pre-finished white aluminum returns trim PTM PMS 186 mounted to poly face (conduit straight back to reduce shadows)
- B High impact white acrylic w/ 1" pre-finished red trim caps
- C GE Tetra Mini Max LEDs:  
- "Red LEDs in cabinet",  
- "White LEDs in channel letters"
- D Electrical feed from main power supply
- E LED power supply
- F Dedicated 120V 20amp AC circuit within 6' of sign
- G 1/4" weep holes w/ light baffle
- H Non corrosive 3/8"-20 thread thru bolted (mounting hardware may vary due to site conditions)
- I Disconnect switch

**NOTES:**  
ALL PENETRATIONS TO BE WATERTIGHT

**NOTES:**  
ALL ELECTRICAL PARTS & ASSEMBLIES UL LISTED APPROVED UL LABELS ATTACHED IF REQUIRED.

**NOTES:**  
ELECTRICAL WIRING FROM SIGN WILL NEED TO BE WIRED INTO THE PRIMARY ELECTRICAL SOURCE MUST BE A DEDICATED CIRCUIT AND BONDED AS PER CODE.



**b** **broadwaynational**  
100 Davids Drive, Hauppauge, NY 11788  
P631.737.3140 F631.737.3160  
INTERNAL USE ONLY: 22130\_02.10.20\_17.05\_IB

DETAIL  
**BJ's**

Approved  Rejected  
 Approved with Corrections  Revise and Resubmit  
Signature: \_\_\_\_\_ Date: \_\_\_\_\_

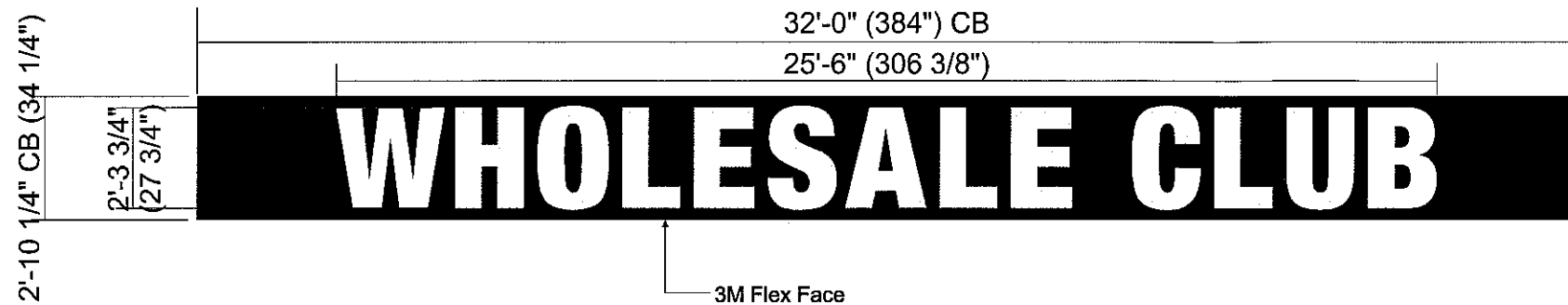
CLUB #12550  
800 AUTO PARK PLACE  
NEWBURGH, NY 12550 11 of 24

QTY (1)  
SIGN 1B

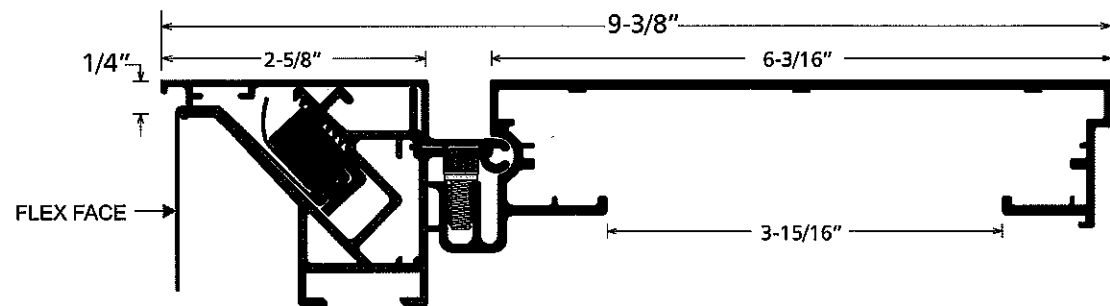
BJ'S ILLUMINATED WHOLESALE CLUB FLEX FACE CABINET

Scale: 1/4" = 1'-0"

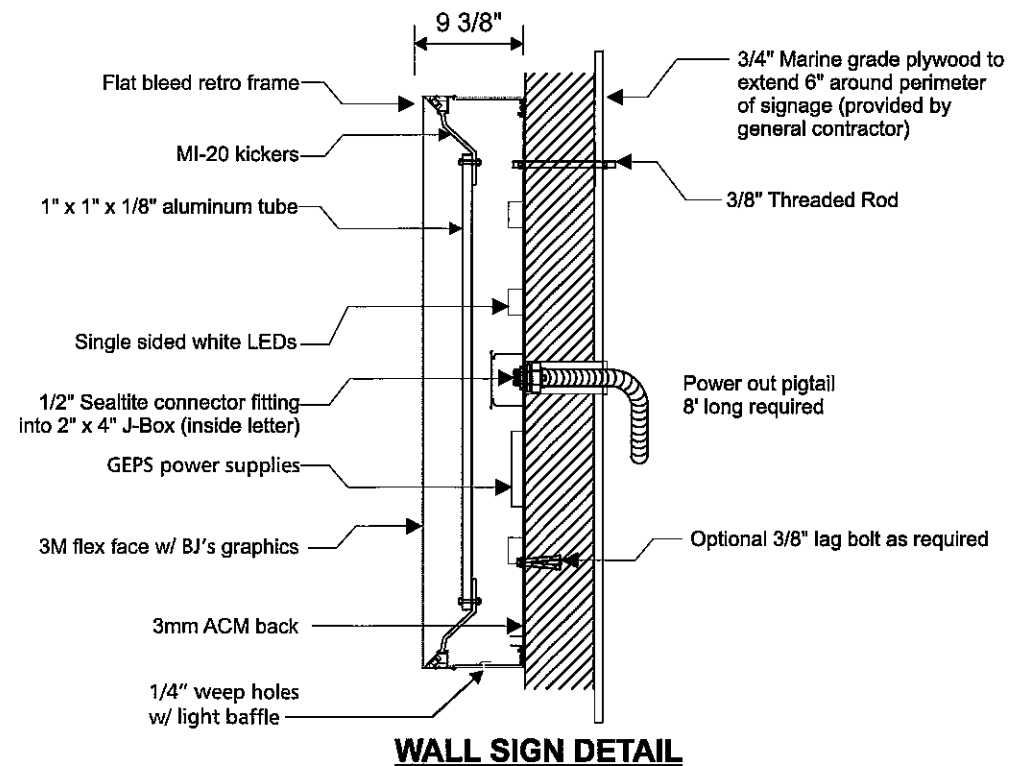
91.35 sq. ft.



Single Face Body - Part #2025  
Tension Frame - Part #2085  
Bleed Tension Frame Cover - Part #2095  
Kit Designation - KSF/85/95

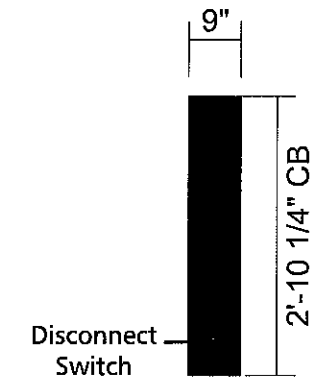


**NOTES:**  
ELECTRICAL WIRING FROM SIGN WILL NEED TO BE WIRED INTO THE PRIMARY ELECTRICAL SOURCE MUST BE A DEDICATED CIRCUIT AND BONDED AS PER CODE.



WALL SIGN DETAIL

SIDE DETAIL  
SCALE: NOT TO SCALE

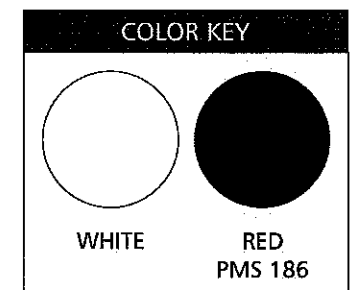


WALL SIGN DETAIL

All hardware contingent on actual wall construction. (Silicone caulk seal at all wall penetrations)  
All mounting hardware to be non corrosive

INTERNALLY ILLUMINATED WALL SIGN

Illuminated with Single sided LED's  
GEPS Power supplies  
Flex faces w/ 3M vinyl overlay  
120 volt



100 Davids Drive, Hauppauge, NY 11788  
P631.737.3140 F631.737.3160  
INTERNAL USE ONLY: 22130\_02.10.20\_17.05\_IB



Approved  Rejected  
 Approved with Corrections  Revise and Resubmit  
Signature: \_\_\_\_\_ Date: \_\_\_\_\_

CLUB #12550  
800 AUTO PARK PLACE  
NEWBURGH, NY 12550

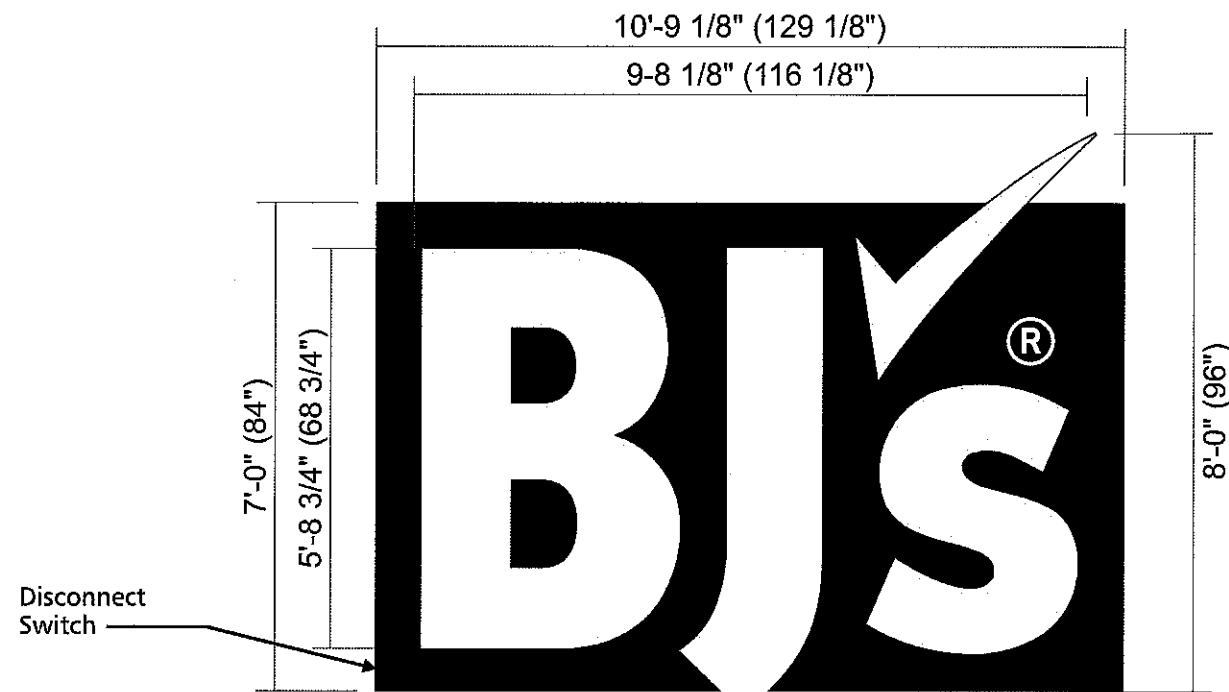
QTY (2)

BJ's MAIN BRAND SIGN - LED ILLUMINATED CABINET/CHANNEL LETTERS

Scale: 3/8" = 1'-0"

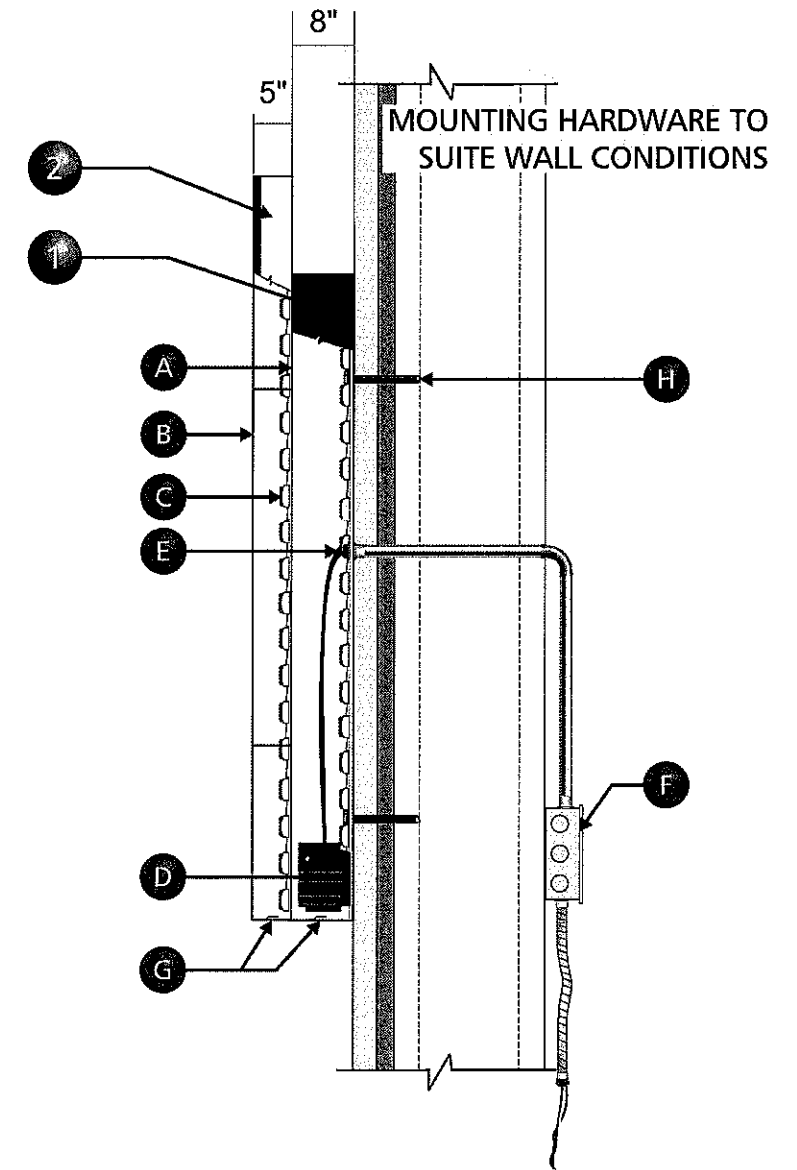
86.08 Sq. Ft.

SIGN 2 A,B



SIDE DETAIL

SCALE: NOT TO SCALE

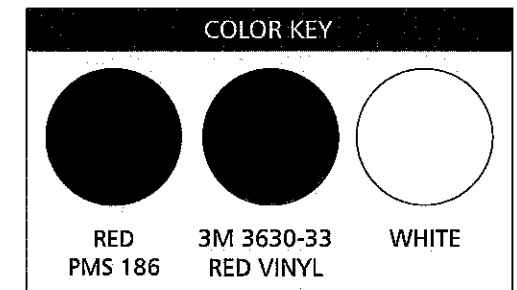


- 1 Illuminated backer cabinet: 8" SignComp (1922/1927) body with 1944 retainers PTM PMS 186
- A Polycarbonate with translucent vinyl overlay 3M 3630-33 - seam required
- 2 BJ's Channel Letters: 5" pre-finished white aluminum returns, trim PTM PMS 186 mounted to poly face (conduit straight back to reduce shadows)
- B High impact white acrylic w/ 1" pre-finished red trim caps
- C GE Tetra Mini Max LEDs:  
- "Red LEDs in cabinet",  
- "White LEDs in channel letters"
- D Electrical feed from main power supply
- E LED power supply
- F 120V J Box by others prior to installation
- G 1/4" weep holes w/ light baffle
- H Non corrosive 3/8"-20 thread thru bolted (mounting hardware may vary due to site conditions)
- I Disconnect switch

**NOTES:**  
ALL PENETRATIONS TO BE WATERTIGHT

**NOTES:**  
ALL ELECTRICAL PARTS & ASSEMBLIES UL LISTED APPROVED UL LABELS ATTACHED IF REQUIRED.

**NOTES:**  
ELECTRICAL WIRING FROM SIGN WILL NEED TO BE WIRED INTO THE PRIMARY ELECTRICAL SOURCE MUST BE A DEDICATED CIRCUIT AND BONDED AS PER CODE.



**b** **broadwaynational**  
100 Davids Drive, Hauppauge, NY 11788  
P631.737.3140 F631.737.3160  
INTERNAL USE ONLY: 22130\_02.10.20\_17.05\_IB

DETAIL  
**BJ's**

Approved  Rejected  
 Approved with Corrections  Revise and Resubmit  
Signature: \_\_\_\_\_ Date: \_\_\_\_\_

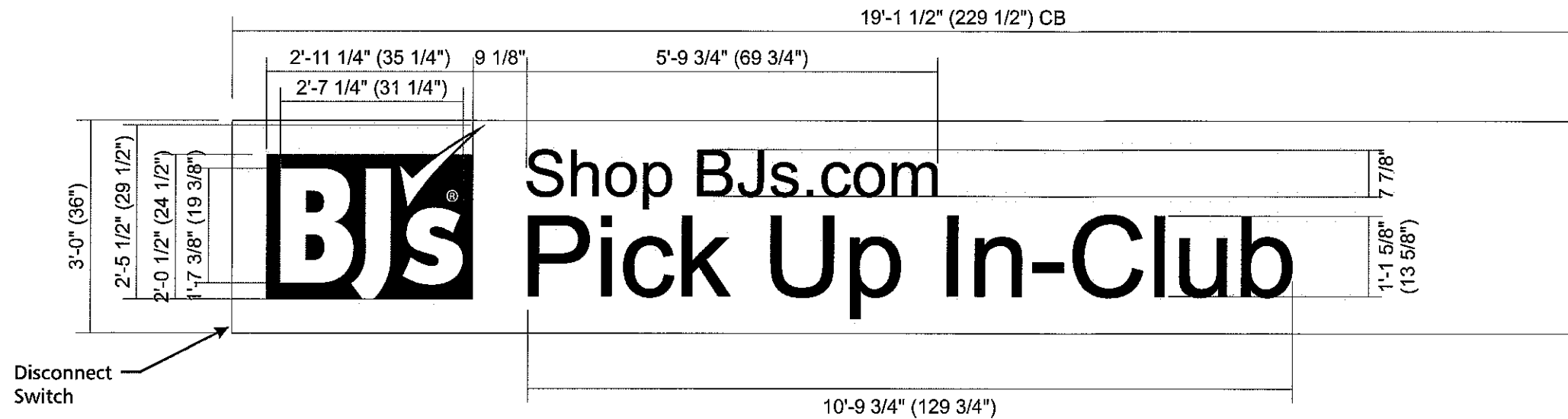
CLUB #12550  
800 AUTO PARK PLACE  
NEWBURGH, NY 12550



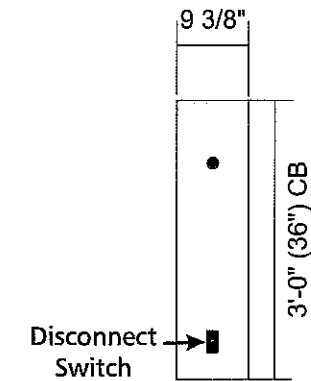
QTY (1)  
SIGN 4

BJ'S LED ILLUMINATED BUY/ONLINE PICK-UP  
Scale: 1/2" = 1'-0"

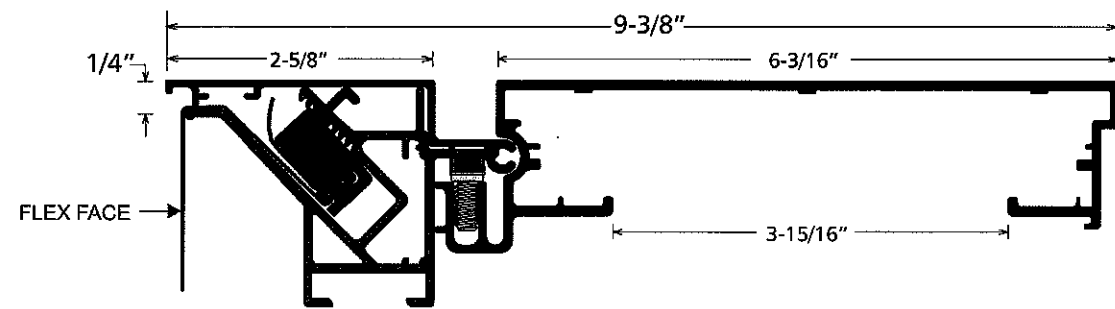
# SIGN 4 - ORIGINAL OPTION (3'-0" H)



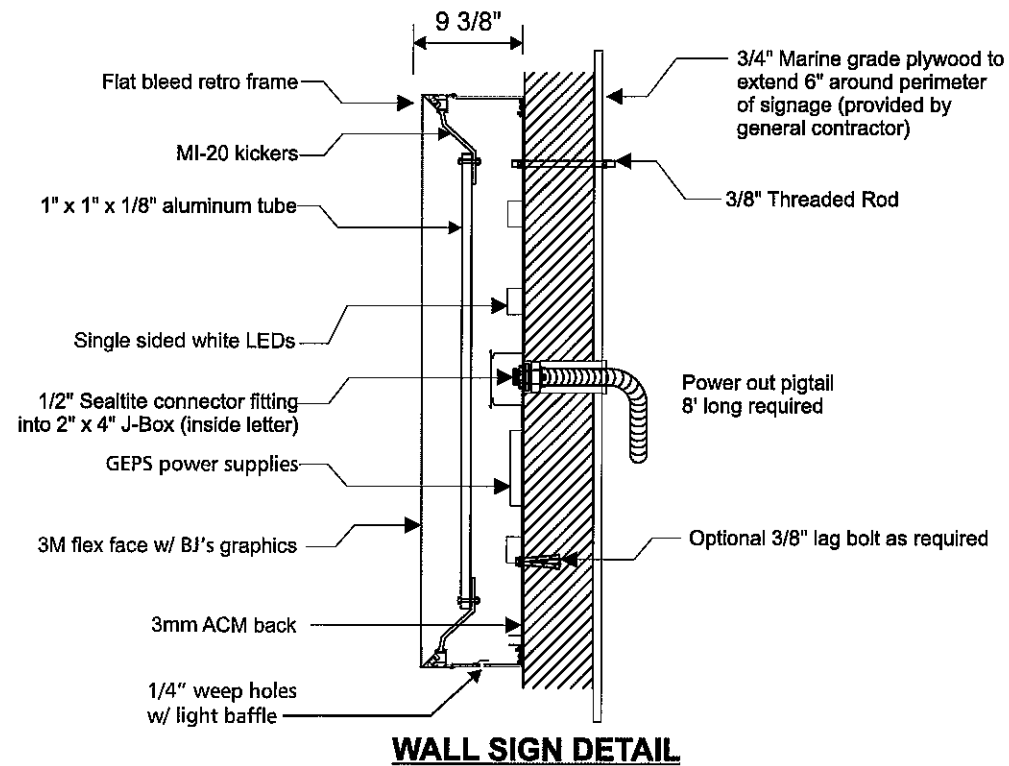
SIDE DETAIL  
SCALE: 1/2" = 1'-0"



Single Face Body - Part #2025  
Tension Frame - Part #2085  
Bleed Tension Frame Cover - Part #2095  
Kit Designation - KSF/85/95



**NOTES:**  
ELECTRICAL WIRING FROM SIGN WILL NEED TO BE WIRED INTO THE PRIMARY ELECTRICAL SOURCE MUST BE A DEDICATED CIRCUIT AND BONDED AS PER CODE.



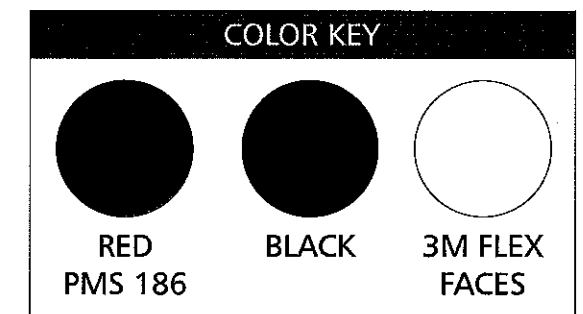
**WALL SIGN DETAIL**

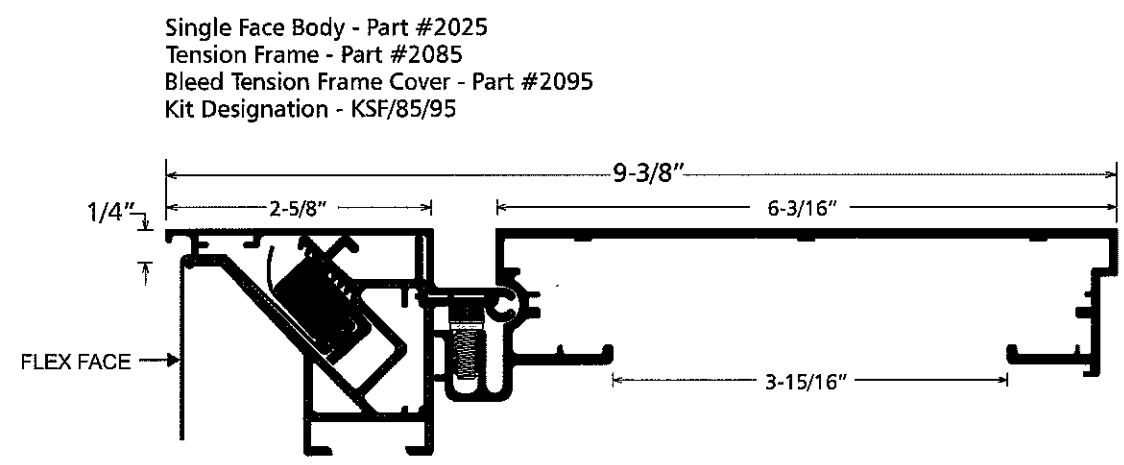
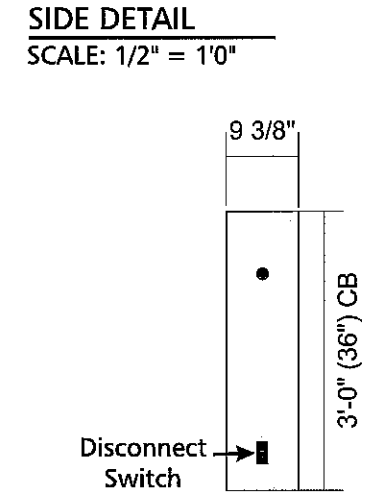
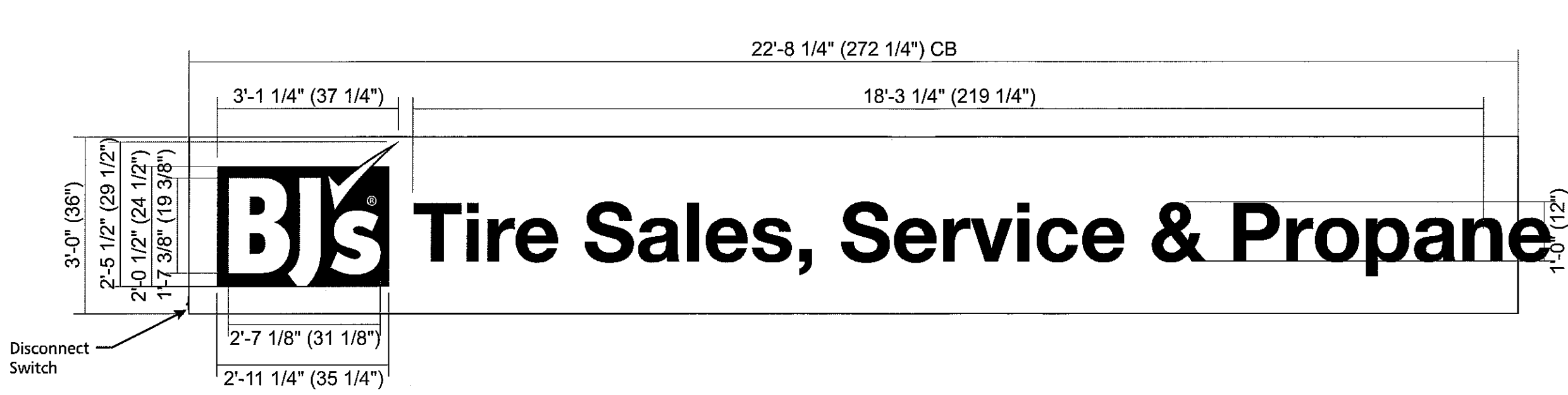
All hardware contingent on actual wall construction. (Silicone caulk seal at all wall penetrations)

All mounting hardware to be non corrosive

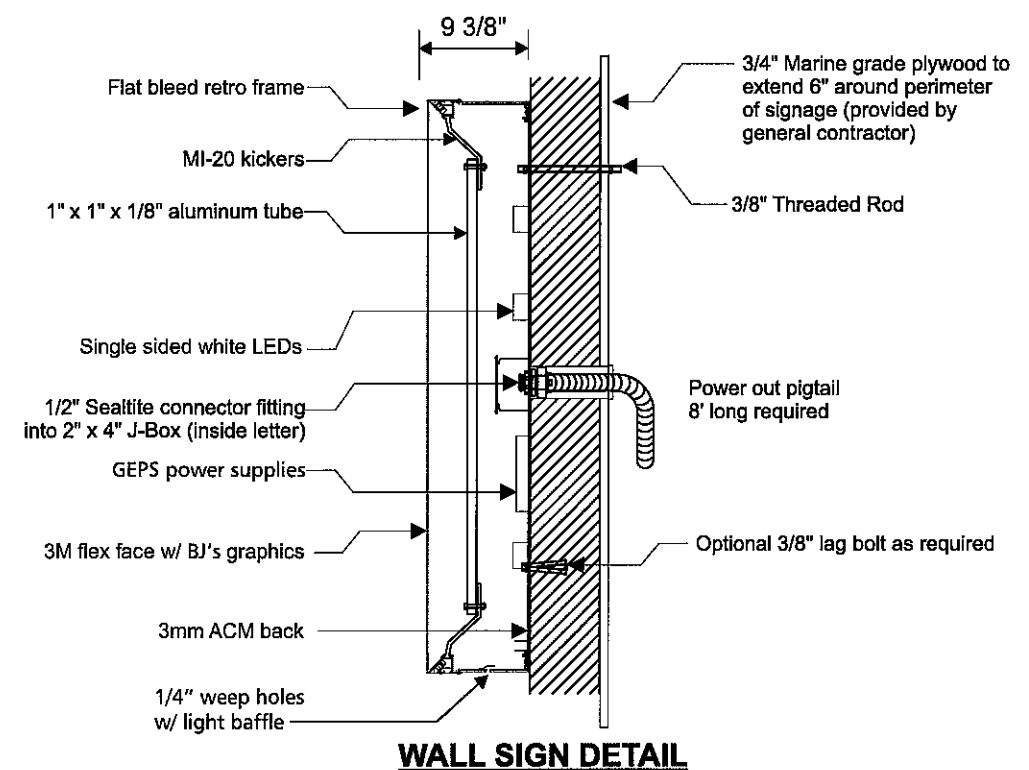
**INTERNALLY ILLUMINATED WALL SIGN**

Illuminated with Single sided LED's  
GEPS Power supplies  
Flex faces w/ 3M vinyl overlay  
120 volt



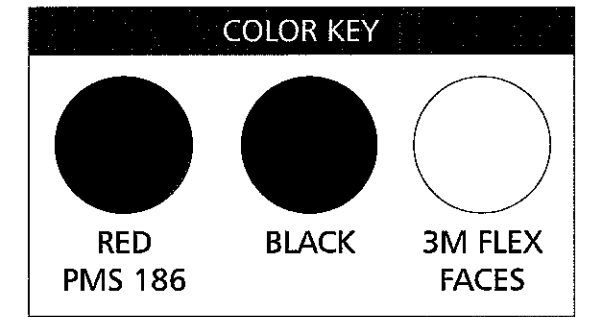


**NOTES:**  
 ELECTRICAL WIRING FROM SIGN WILL NEED TO BE WIRED INTO THE PRIMARY ELECTRICAL SOURCE MUST BE A DEDICATED CIRCUIT AND BONDED AS PER CODE.



**WALL SIGN DETAIL**  
 All hardware contingent on actual wall construction. (Silicone caulk seal at all wall penetrations)  
 All mounting hardware to be non corrosive

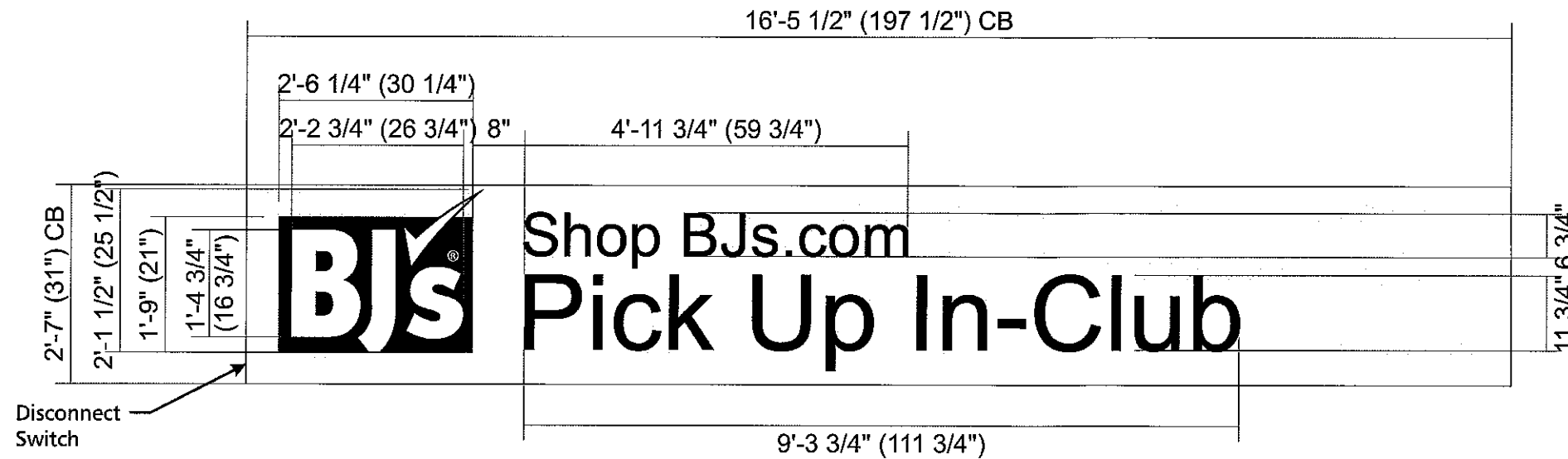
**INTERNALLY ILLUMINATED WALL SIGN**  
 Illuminated with Single sided LED's  
 GEPS Power supplies  
 Flex faces w/ 3M vinyl overlay  
 120 volt



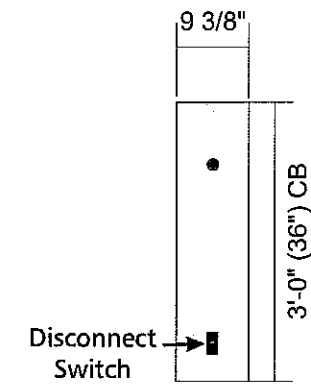
QTY (1)  
SIGN 4

BJ'S LED ILLUMINATED BUY/ONLINE PICK-UP  
Scale: 1/2" = 1'-0"

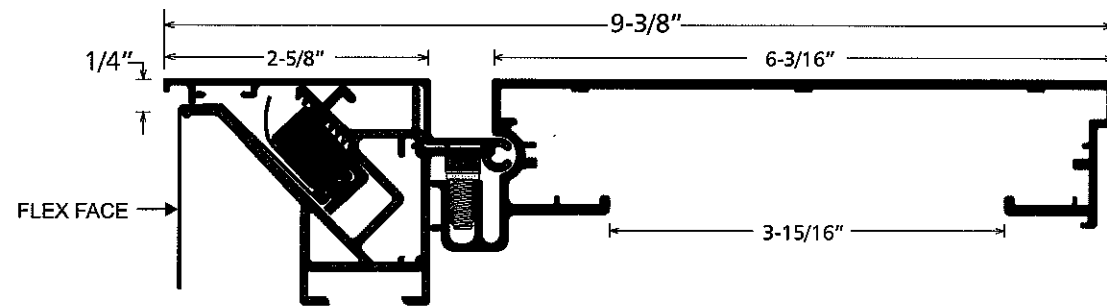
# SIGN 4 - SECOND OPTION (2'-7" H)



**SIDE DETAIL**  
SCALE: 1/2" = 1'0"

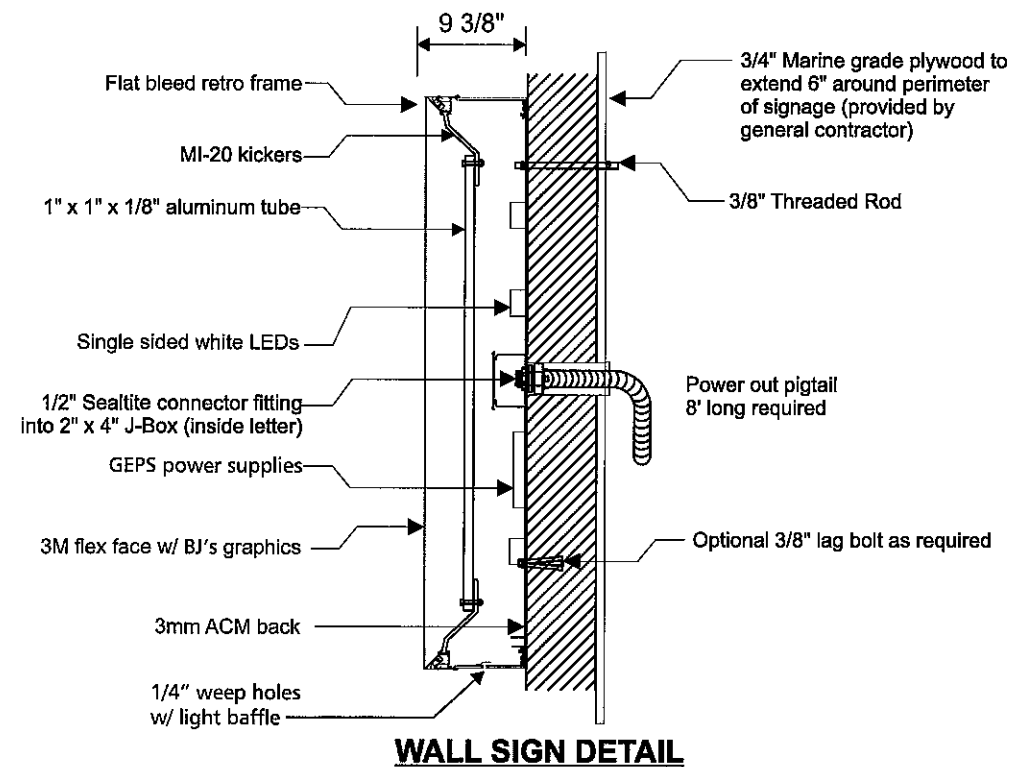


Single Face Body - Part #2025  
Tension Frame - Part #2085  
Bleed Tension Frame Cover - Part #2095  
Kit Designation - KSF/85/95



**NOTES:**

ELECTRICAL WIRING FROM SIGN WILL NEED TO BE WIRED INTO THE PRIMARY ELECTRICAL SOURCE MUST BE A DEDICATED CIRCUIT AND BONDED AS PER CODE.



**WALL SIGN DETAIL**

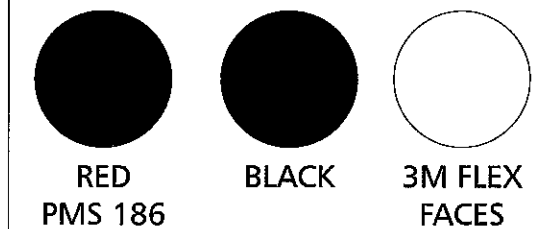
All hardware contingent on actual wall construction. (Silicone caulk seal at all wall penetrations)

All mounting hardware to be non corrosive

**INTERNALLY ILLUMINATED WALL SIGN**

Illuminated with Single sided LED's  
GEPS Power supplies  
Flex faces w/ 3M vinyl overlay  
120 volt

**COLOR KEY**



100 Davids Drive, Hauppauge, NY 11788  
P631.737.3140 F631.737.3160  
INTERNAL USE ONLY: 22130\_02.10.20\_17.05\_IB



Approved  Rejected  
 Approved with Corrections  Revise and Resubmit  
Signature: \_\_\_\_\_ Date: \_\_\_\_\_

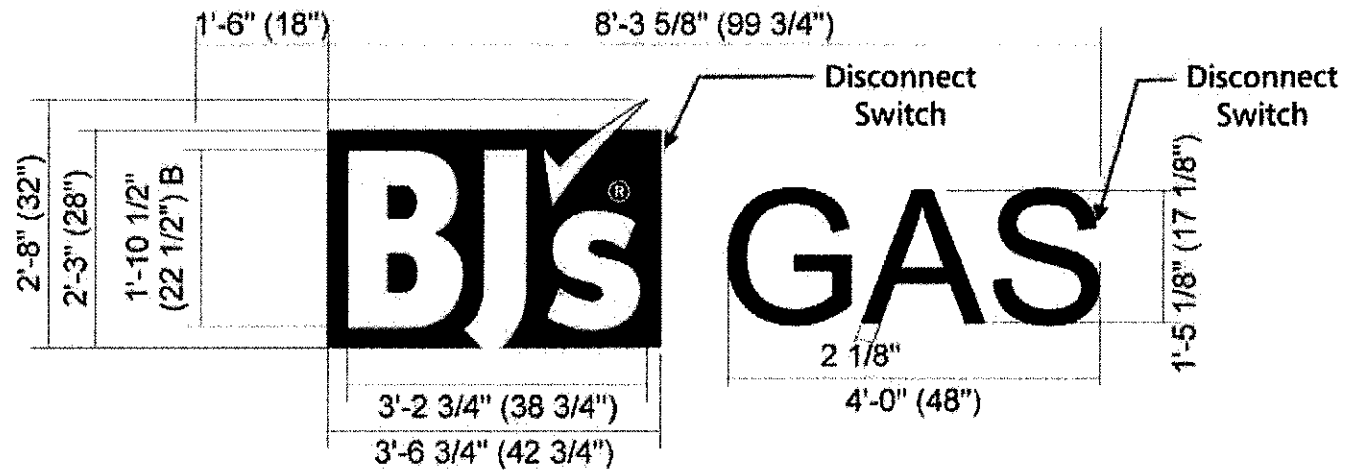
CLUB #12550  
800 AUTO PARK PLACE  
NEWBURGH, NY 12550

QTY (4)  
SIGN 5 A,B  
SIGN 5 C,D

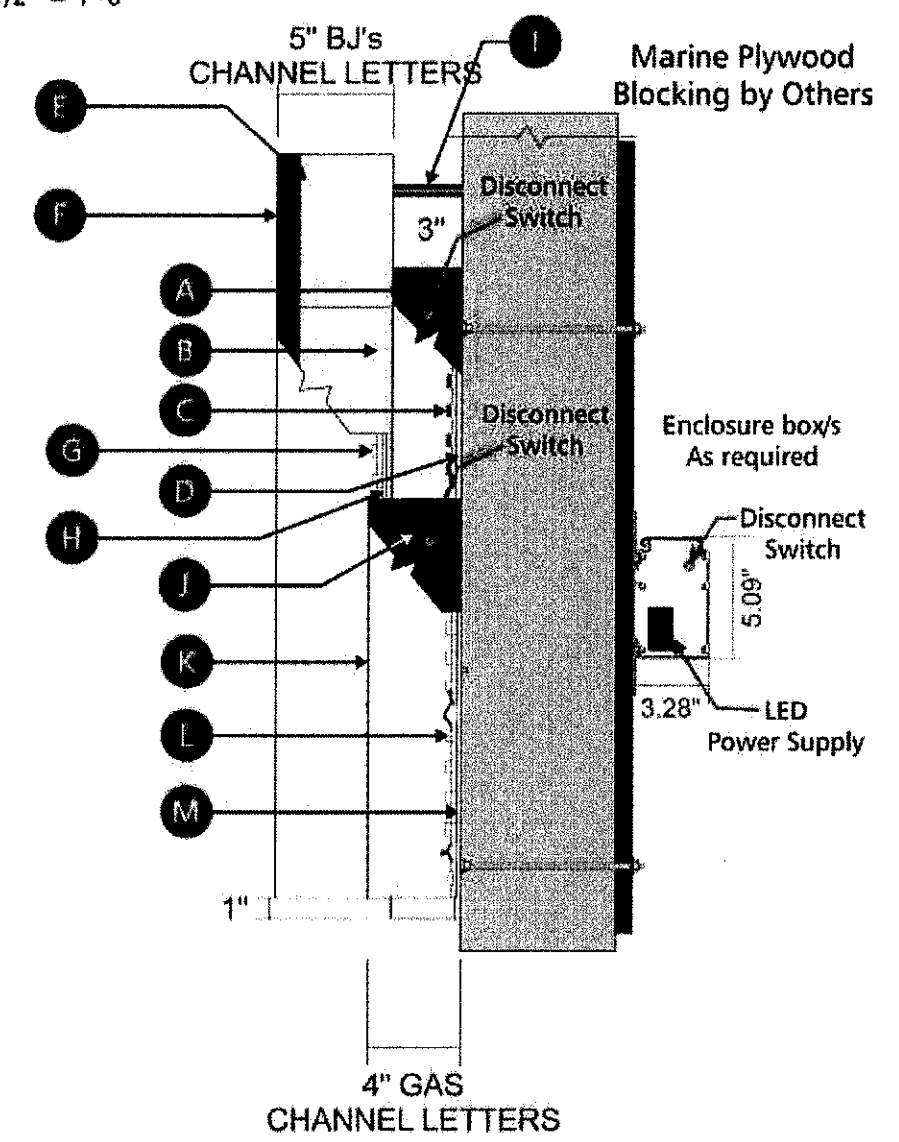
LED ILLUMINATED CHANNEL LETTERS ON ILLUMINATED BACKER CABINET AND GAS CHANNEL LETTERS

22.17 Sq. Ft.

Scale: 1/2" = 1'-0"

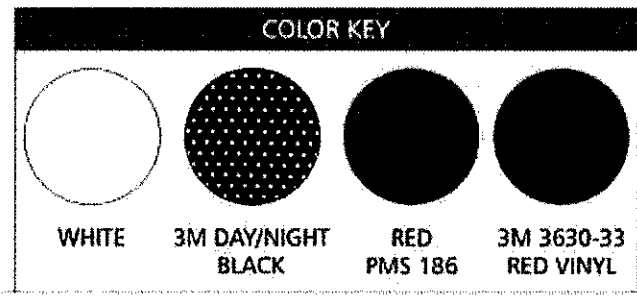


SIDE VIEW  
Scale: 1 1/2" = 1'-0"



**NOTES:**  
DEDICATED 120V/20AMP AC CIRCUIT IS REQUIRED AND TO BE WITHIN 6' OF THE SIGN, PROVIDED BY OTHERS PRIOR TO SIGN INSTALLATION

**NOTES:**  
ALL ELECTRICAL PARTS & ASSEMBLIES UL LISTED. UL LABELS TO BE LOCATED AT DISCONNECT SWITCH IF REQUIRED.



CHANNEL LETTER CAN

- A** .125-3" pre finished red aluminum returns PTM PMS 186 w/ 2" trim cap PMS 186
- B** .150 White Polycarbonate w/ translucent red vinyl applied 1st surface (3M3630-33)
- C** Red LED lighting
- D** ACM backs w/ white surface

BJ's CHANNEL LETTERS

- E** .040-5" pre-finished white aluminum returns w/ 1" trim PTM red
- F** 1/8" High impact 7328 white acrylic
- G** White LED lighting
- H** ACM backs w/ white surface
- I** 3" Spacer/check support

BJ's GAS CHANNEL LETTERS

- J** .040-4" pre-finished black aluminum returns w/ 1" trim PTM black
- K** 1/8" High impact 7328 white acrylic w/1st surface day night black vinyl
- L** White LED lighting
- M** ACM backs w/ white surface

**NOTES:**

- 1/4" diameter drain hole (min. 2 per letter) with light baffle in all cabinets
- 4-20 rivnuts to mount all, thread length TBD
- Non-corrosive 1/4"- 20 thru-bolts with fender washers & nuts. Mounting hardware may vary to suit wall conditions
- Enclosure Box/s behind canopy parapet to contain disconnect switch all electric to be water tight

**b** **broadwaynational**  
100 Davids Drive, Hauppauge, NY 11788  
P631.737.3140 F631.737.3160  
INTERNAL USE ONLY: 22130\_02.10.20\_17.05\_IB



Approved  Rejected  
 Approved with Corrections  Revise and Resubmit  
Signature: \_\_\_\_\_ Date: \_\_\_\_\_

CLUB #12550  
800 AUTO PARK PLACE  
NEWBURGH, NY 12550 17 of 24

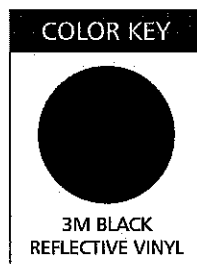
QTY (2)

CLEARANCE: REFLECTIVE VINYL LETTERING APPLIED 1ST SURFACE

17.6 Sq. Ft.

Scale: 3" = 1'-0"

SIGN 6 A,B



**SPECIFICATIONS:**

**LETTERING:** 5" REFLECTIVE BLACK LETTERS

**NOTES**

CANOPY HEIGHT ABOVE GRADE TO BE VERIFIED



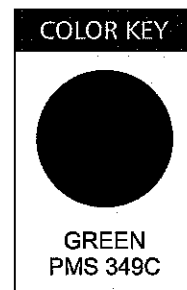
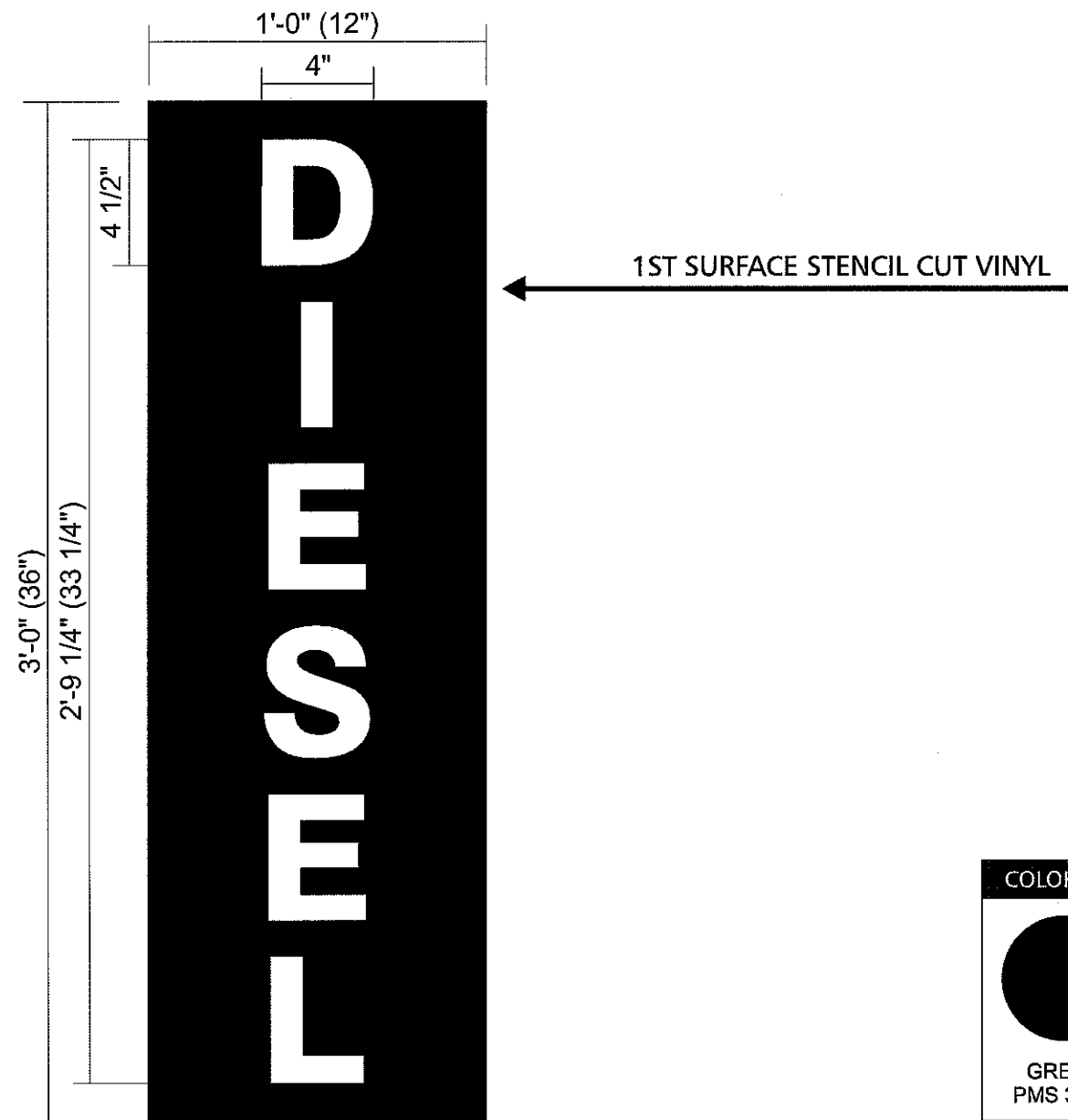
QTY (8)

DIESEL COLUMN VINYL SIGN

Scale: 2" = 1'-0"

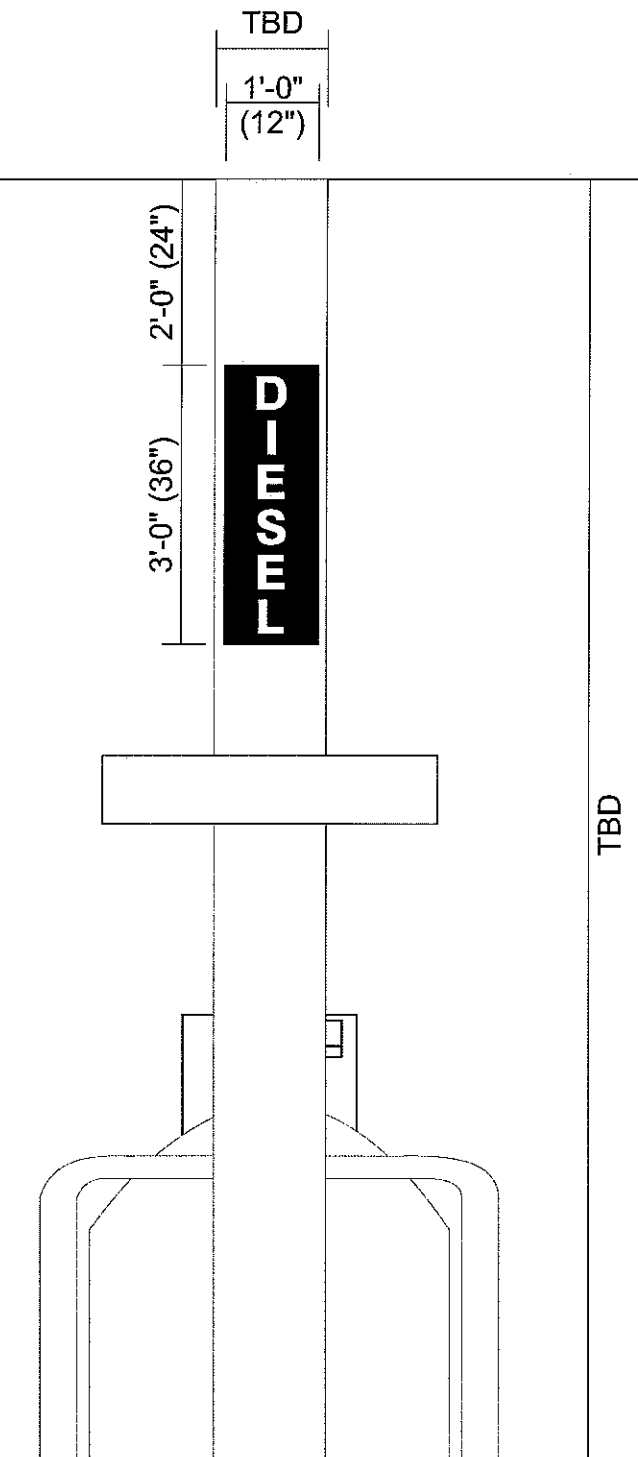
3.00 Sq. Ft.

SIGN 7 A,B



NOTES:  
 TECHNICAL MEASUREMENTS  
 OF COLUMN TO BE VERIFIED  
 PRIOR TO FABRICATION

DISPLAY ONLY TECHNICAL MEASUREMENTS TO BE VERIFIED  
 PLACED ON EACH COLUMN SIDE

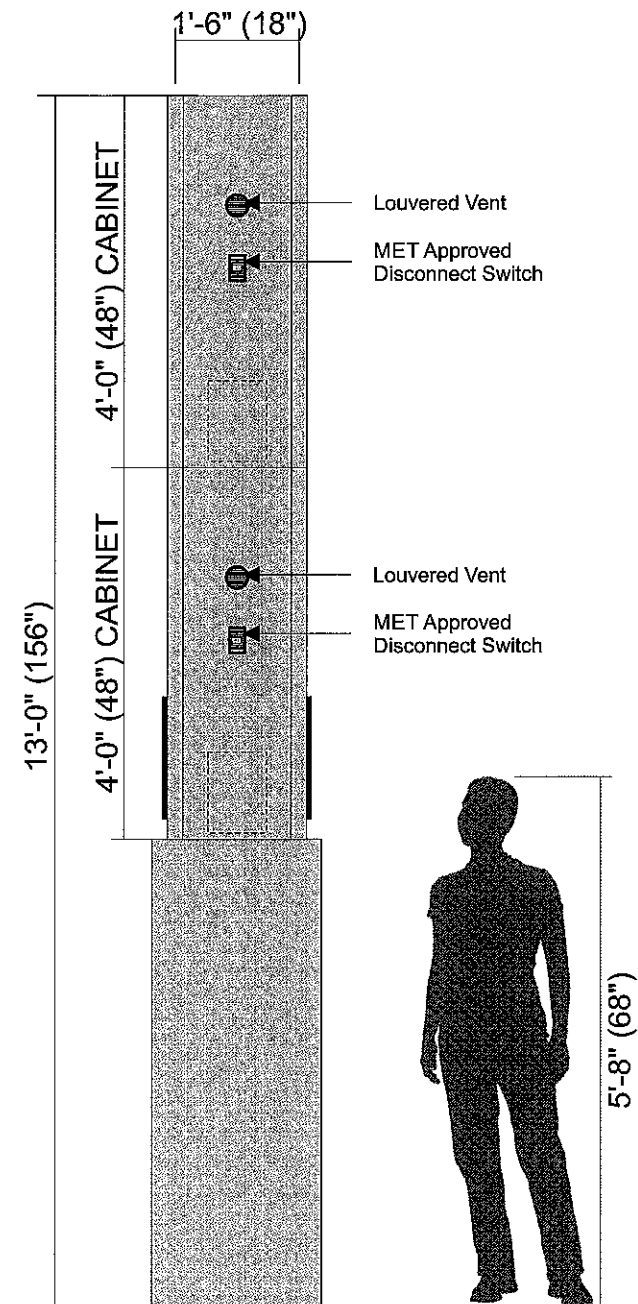
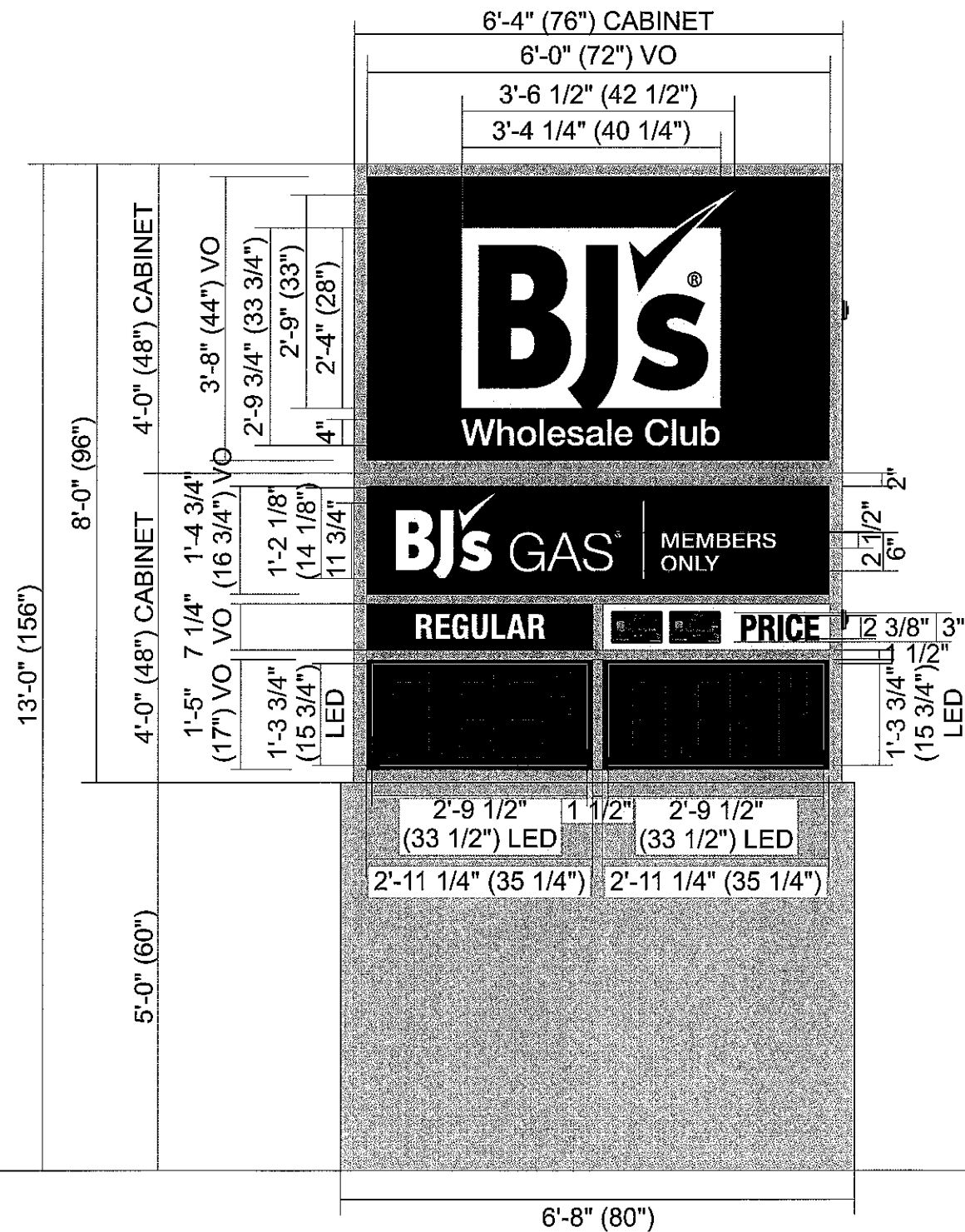


QTY (1)  
SIGN 8

DOUBLE SIDED MONUMENT WITH GAS PRICER

Scale: 1/2" = 1'-0"

82.35 Sq. Ft.



**GENERAL SPECIFICATIONS**

(2) 4'-0" H X 6'-4" W X 1'-6" D Deep Topper  
Illuminated W/ White GE LED  
Face .125" Aluminum  
All Copy 1st Surface Vinyl

**ABLE 14" GAS PRICE LED DISPLAY**

P401140R P401140R  
LED Face Panel (15.8" H x 33.5" W x 2 1/2" D)  
(4) Single Face Drop-In Type Cabinets  
14" Character Height Red Digital Color 120 Volt  
(Site Specific Verify w/ Owner)

**COLOR SPECIFICATIONS**

- 3M 3630-33 Red Vinyl / PMS 186
- 3M 3630-22 Black Vinyl
- White
- PTM Facade of building
- Gray 446 TBD

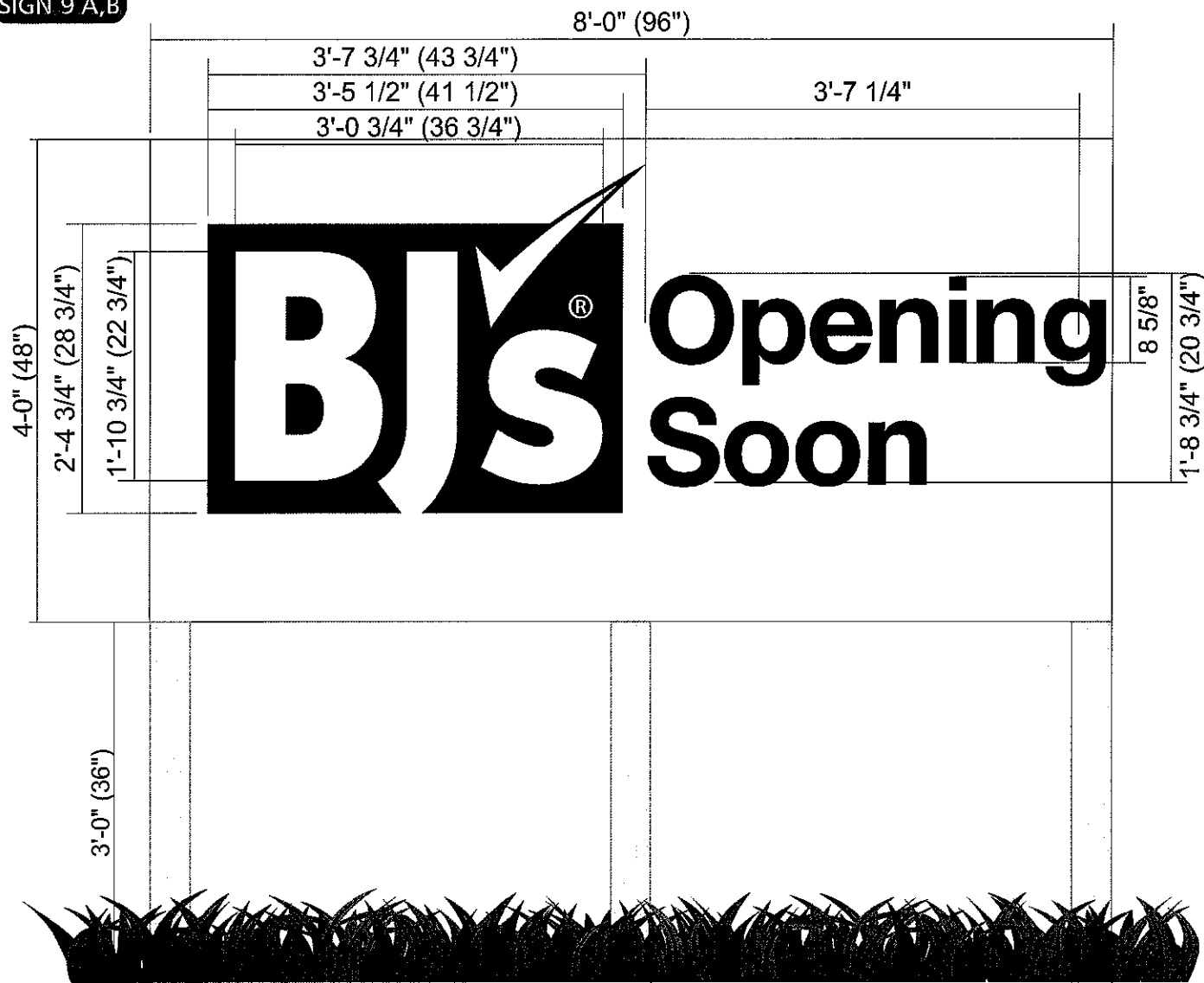
**NOTES:**  
ALUMINUM CLADDING  
COLOR TO MATCH FACADE

**NOTES:**  
UNDERGROUND DETAILS  
TO BE DETERMINED

QTY (2)  
SIGN 9 A,B

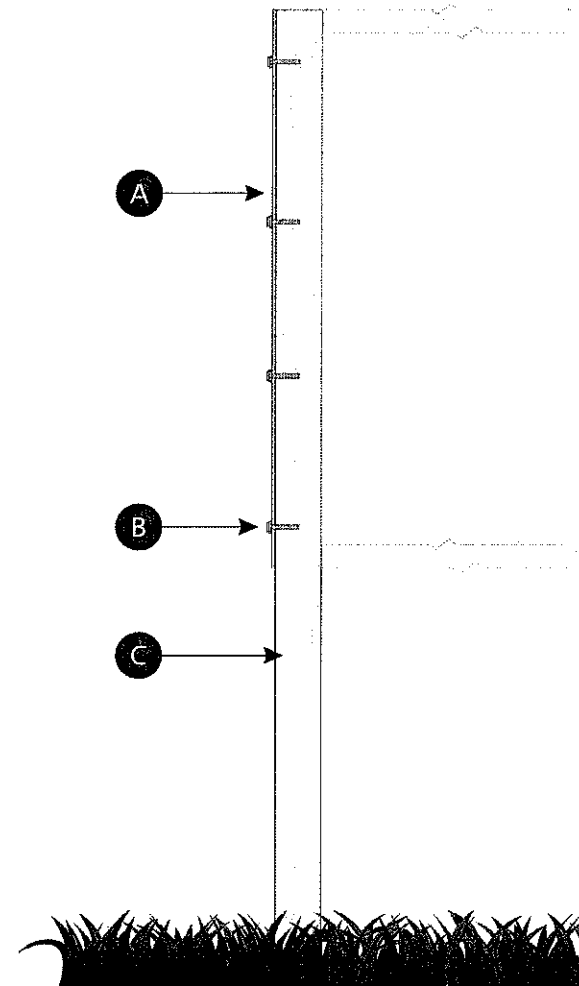
EXTERIOR NON-ILLUMINATED ROAD SIGN

Scale: 3/4"=1'-0"



SIDE ELEVATION

3/4" = 1'-0"



NOTES:  
POSTS TO BE PAINTED: SHERWIN WILLIAMS  
FLAT A-100® EXTERIOR ACRYLIC LATEX PAINT.

COLOR KEY

WHITE PAINT TBD	3M 3630-33 RED VINYL	3M 360-22 BLACK VINYL

- A White 1/4" dibond panel with "BJ's" vinyl graphics applied first surface
- B Mounting screws with fender washers to attach panel to wood posts. (head painted to match corresponding color on face)
- C Wood 4" x 4" posts; painted Sherwin Williams (flat a-100® exterior acrylic latex paint.)

NOTES:  
NEED TO VERIFY PLACEMENT  
PRIOR TO INSTALL

NOTES:  
ALL SIGNAGE SUBJECT TO APPROVAL  
OF LANDLORD AND MUNICIPALITY

NOTES:  
36" FROM BOTTOM OF SIGN TO GRADE.  
POSTS TO BE 36" BENEATH THE SURFACE.

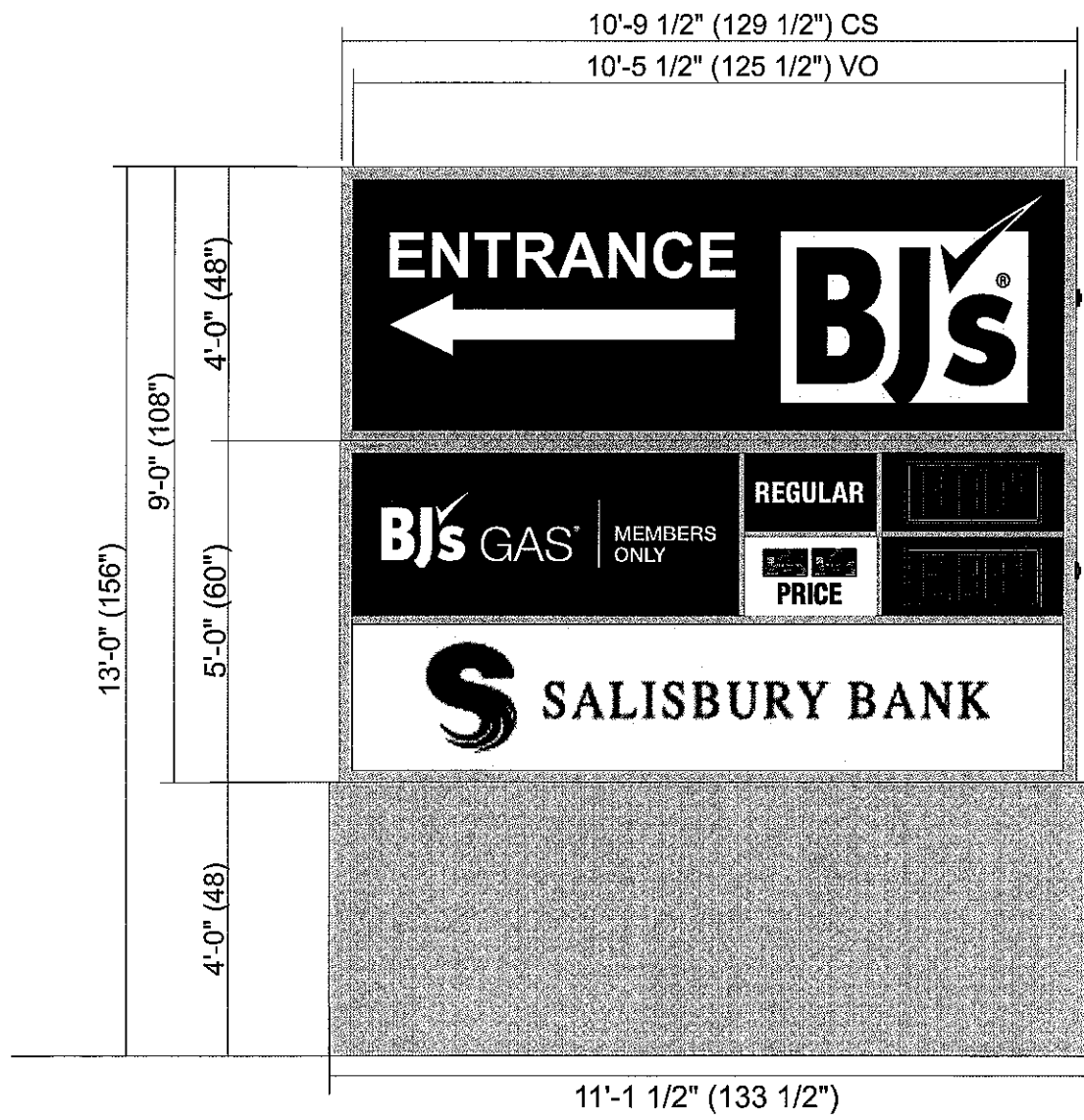
QTY (1)  
SIGN 10

DOUBLE SIDED LED ILLUMINATED MONUMENT SIGN  
Scale: 3/8" = 1'-0"

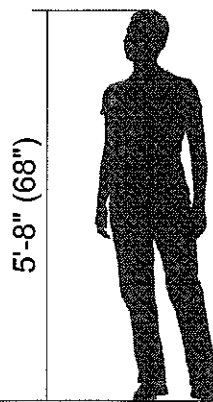
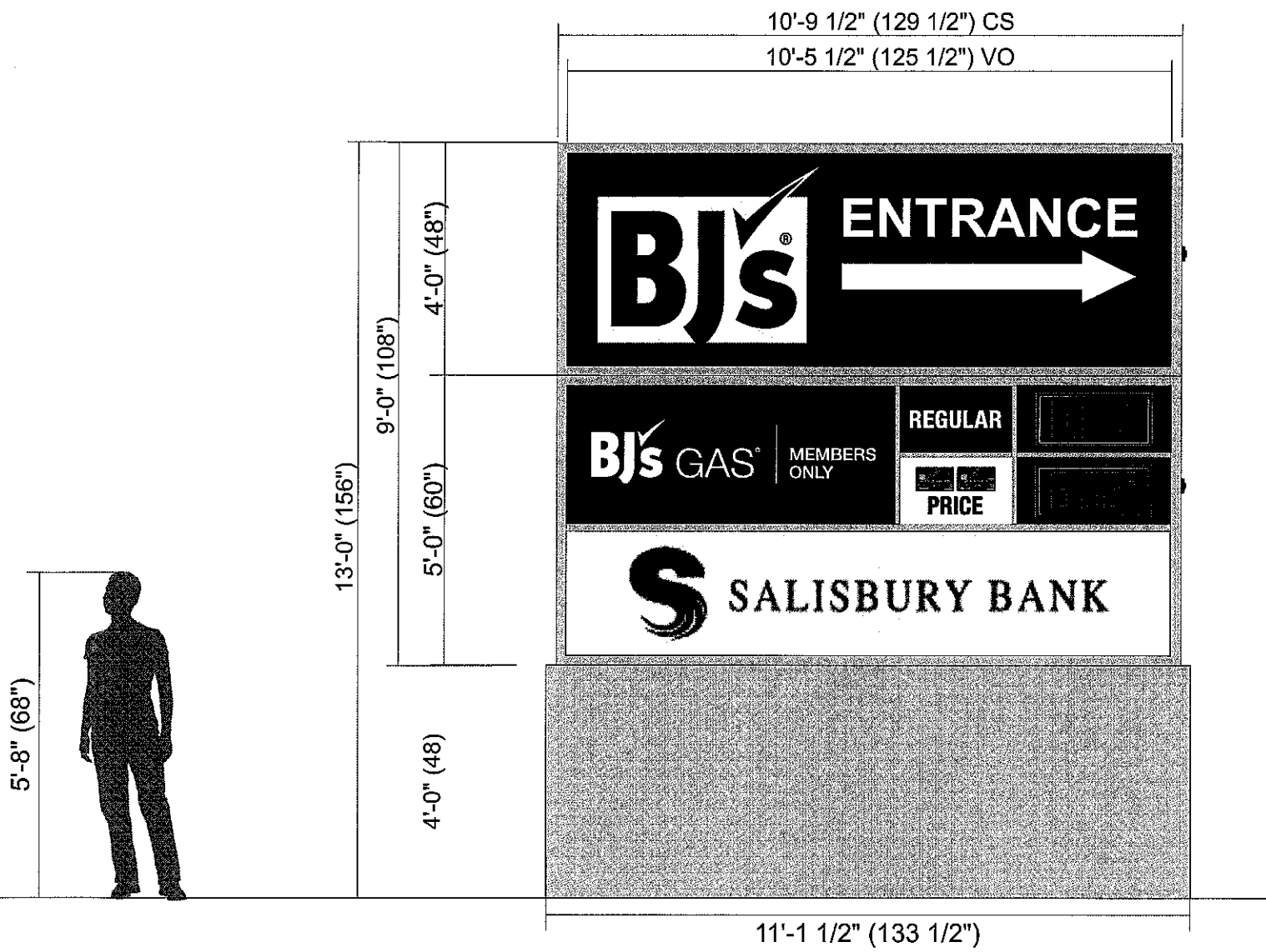
144.65 Sq. Ft.

FOR CONCEPT ONLY

NORTH SIDE



SOUTH SIDE



GENERAL SPECIFICATIONS

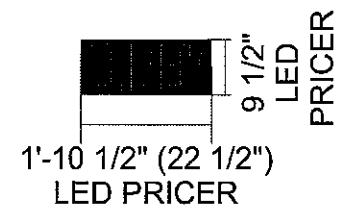
13'-0"H X 11'-1 1/2"W X 12"D  
Illuminated - GE LED White  
3/16" High Impact White Polycarbonate  
All Copy 1st Surface Vinyl

COLOR SPECIFICATIONS

- 3M 3630-33 Red Vinyl PMS
- 3M 3630-22 Black Vinyl
- White
- PTM Facade of building
- Gray 446 TBD

8" LED GAS PRICER

P401080R  
LED Face Panel  
(2) Single Face  
Red Digital Color  
Board: 10.75"H x 24"W  
Window: 9.5"H x 22.5"W  
Digit: 8"H x 3.92"W  
Provide 90-265V AC, 15 AMP Circuit for Power



NOTES:  
UNDERGROUND DETAILS  
TO BE DETERMINED

**b** **broadwaynational**  
100 Davids Drive, Hauppauge, NY 11788  
P631.737.3140 F631.737.3160  
INTERNAL USE ONLY: 22130\_02.10.20\_17.05\_IB

DETAIL  
**BJs**

Approved  Rejected  
 Approved with Corrections  Revise and Resubmit  
Signature: \_\_\_\_\_ Date: \_\_\_\_\_

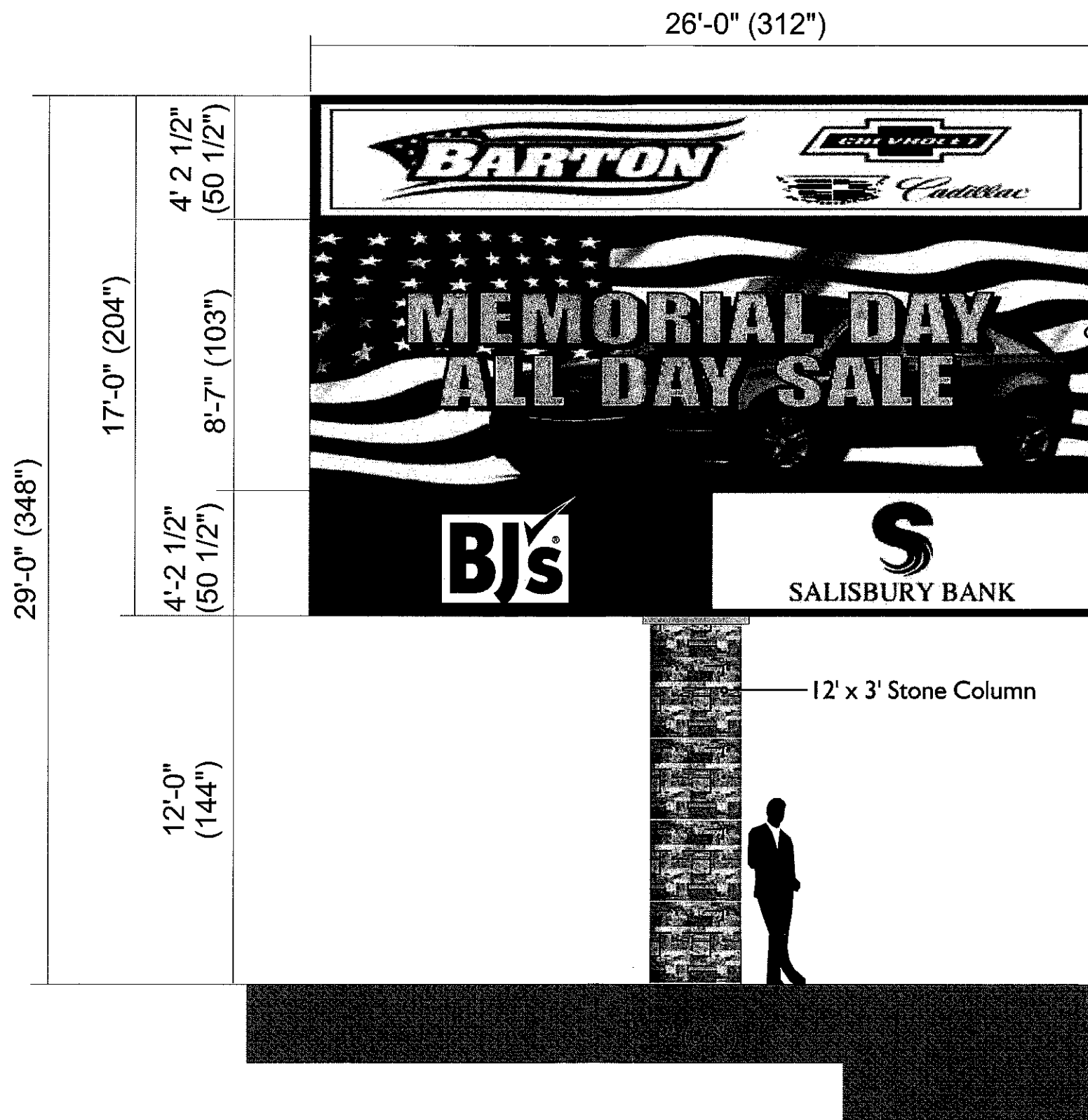
CLUB #12550  
800 AUTO PARK PLACE  
NEWBURGH, NY 12550 22 of 24



QTY (1)  
SIGN 11

DOUBLE-SIDED POLYCARBONATE PYLON SIGN

Scale: 3/16"=1'-0"



Electronic Sign to conform with electronic message display standards and requirements [185.14 P (2)]

12' x 3' Stone Column

**NOTES:**  
 MIDDLE SECTION WILL BE AN ELECTRONIC SIGN  
 GRAPHICS SHOWN ARE FOR CONCEPT ONLY

**NOTES:**  
 FOR CONCEPT ONLY ALL MEASUREMENTS MUST BE VERIFIED BY ENGINEER

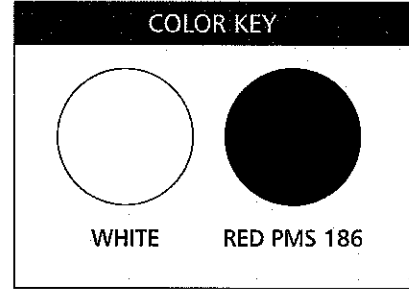
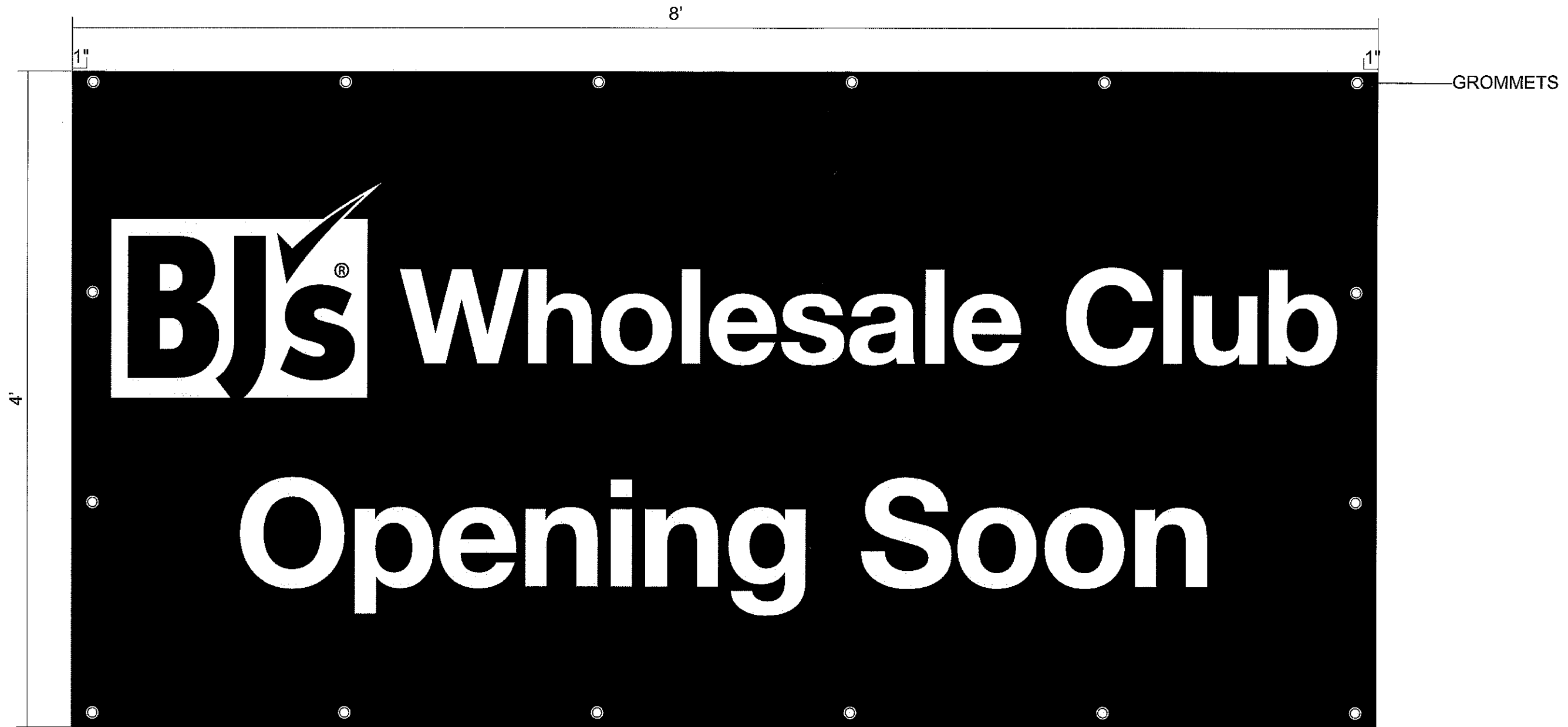
QTY (1)

18 OZ OUTDOOR OPENING SOON BANNER

32.00 Sq. Ft.

Scale: 1-1/2" = 1'

SIGN 12



**b** **broadwaynational**  
 100 Davids Drive, Hauppauge, NY 11788  
 P631.737.3140 F631.737.3160  
 INTERNAL USE ONLY: 22130\_02.10.20\_17.05\_IB

DETAIL  
**BJs**

Approved  Rejected  
 Approved with Corrections  Revise and Resubmit  
 Signature: \_\_\_\_\_ Date: \_\_\_\_\_

CLUB #12550  
 800 AUTO PARK PLACE  
 NEWBURGH, NY 12550 24 of 24

This artwork is the property of Broadway National. Unauthorized use, publication or distribution is prohibited.