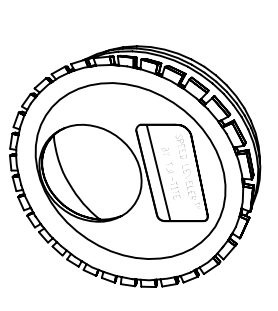


TO BE INSTALLED BEFORE BEND AT ALL BEND LOCATIONS AND AT EVERY 75' OF STRAIGHT PIPE. (DO NOT USED WITH PUMP CHAMBER)

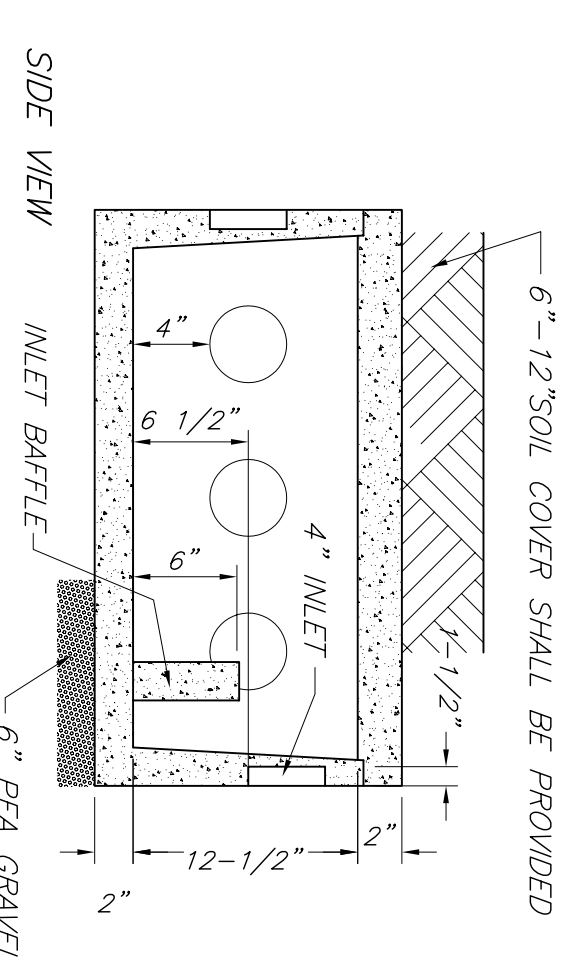
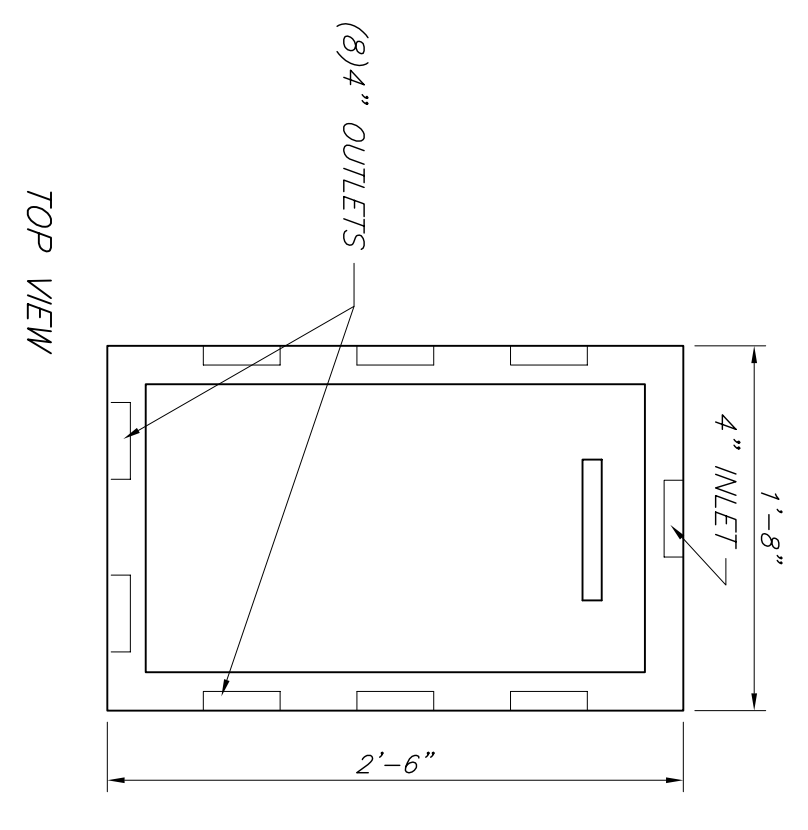
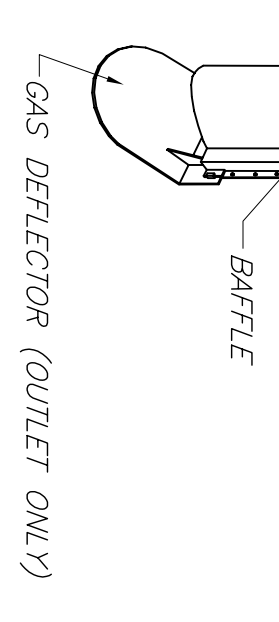
1. INSERT A SPEED LEVELER IN THE END OF ALL OUTLET PIPES. THE DOWNBOW OF THE PIPE WHEN THE EFFLUENT ENTERS ALL OUTLETS EQUALLY.
2. ROTATE UNTIL THE WHEEL ENTERS ALL OUTLETS EQUALLY.



WOODARD'S SPEED LEVELER FSL-4
N.T.S.

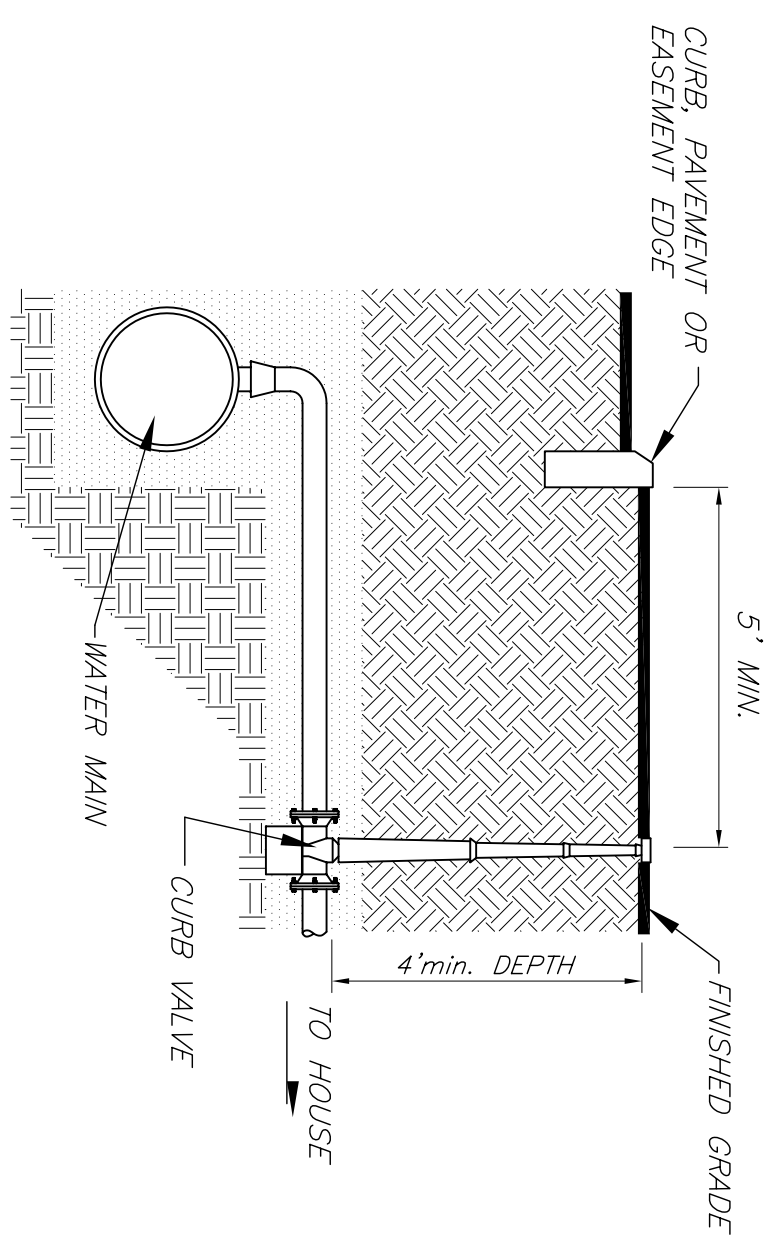
SPECIFICATIONS
CONCRETE MINIMUM STRENGTH - 4,000 PSI AT 28 DAYS
REINFORCEMENT - 6"x6" 10GA. WWF, #4 REBAR
AIR ENTRAPMENT - 5%
CONSTRUCTION JOINT - BUTYL RUBBER - BASE CEMENT PIPE CONNECTION - POLYLOC SEAL (PATENTED)
LOAD RATING - 300PSF WEIGHT = 9,500LBS

WOODARD'S 1.250GAL SEPTIC TANK OR EQUAL
N.T.S.

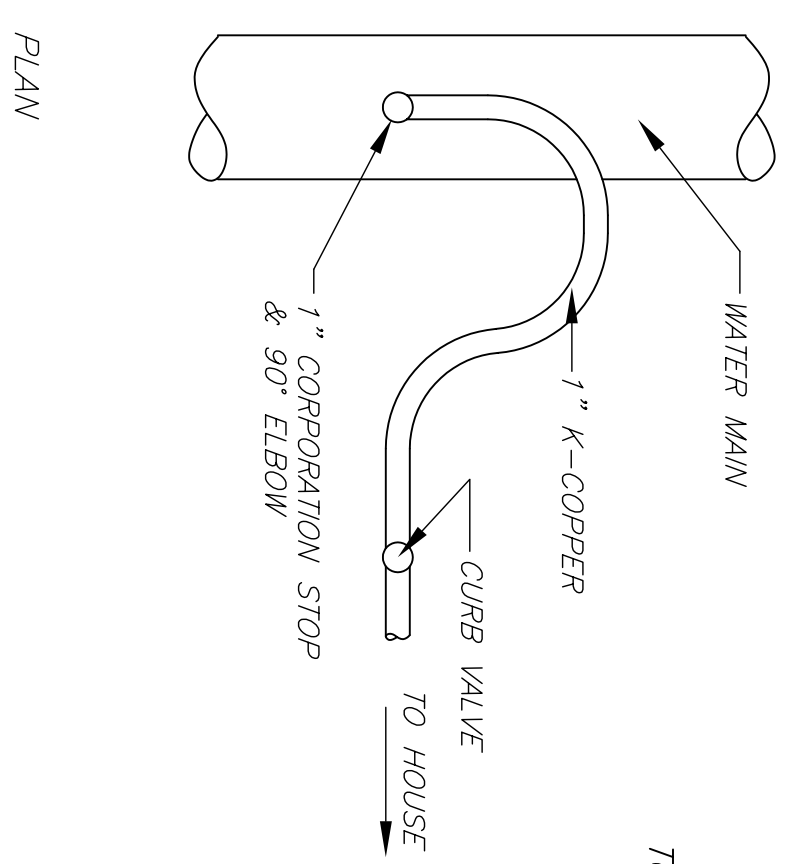


WOODARD'S PRECAST 8 OUTLET DISTRIBUTION BOX
N.T.S.

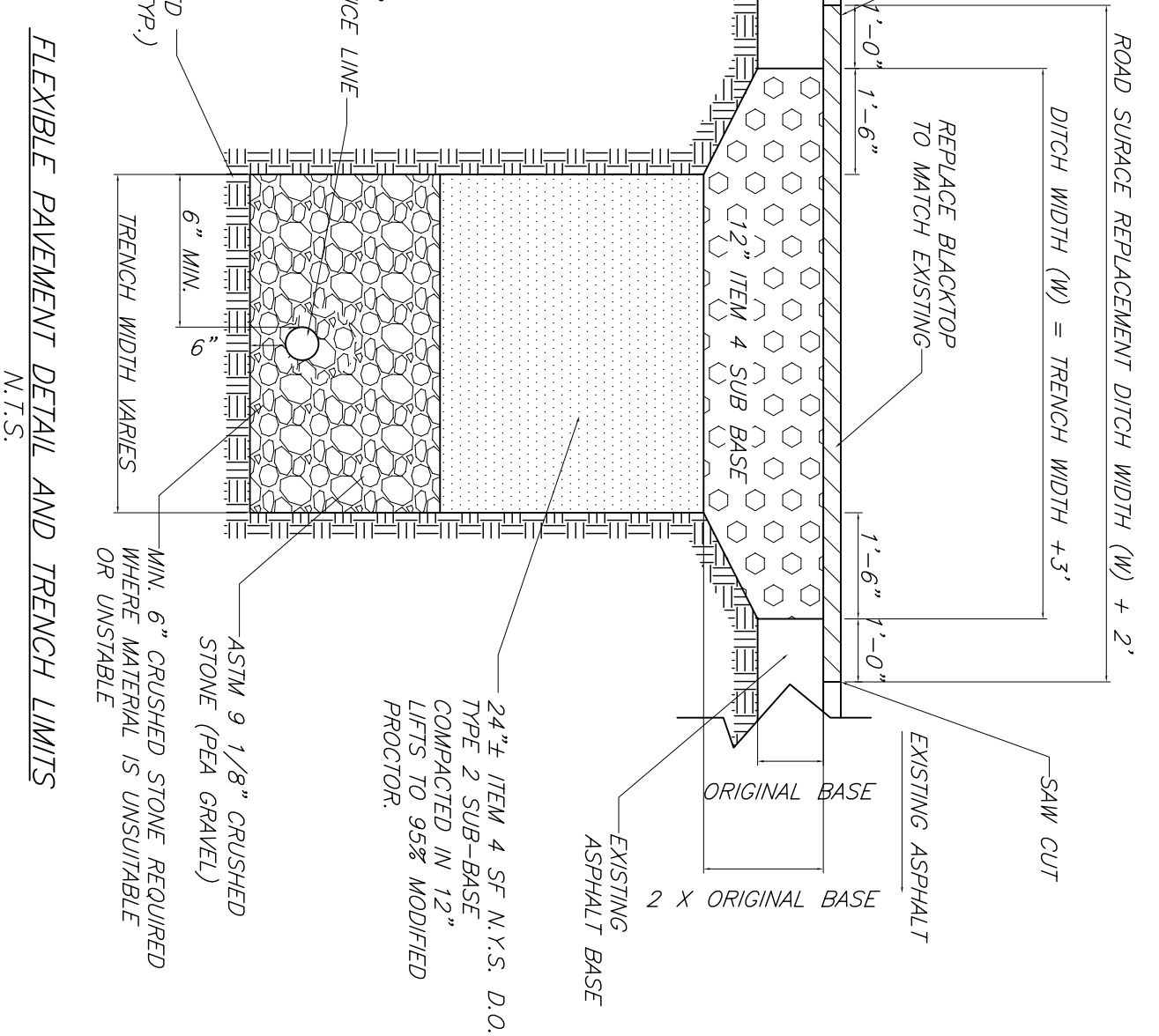
SPECIFICATIONS
CONCRETE MINIMUM STRENGTH - 4,000 PSI AT 28 DAYS
REINFORCEMENT - #4 REBAR
AIR ENTRAPMENT - 5%
CONSTRUCTION JOINT - BUTYL RUBBER SEAL (PATENTED)
LOAD RATING - 300 PSF WEIGHT = 290 LBS



SECTION
WATER SERVICE CONNECTION DETAIL
N.T.S.

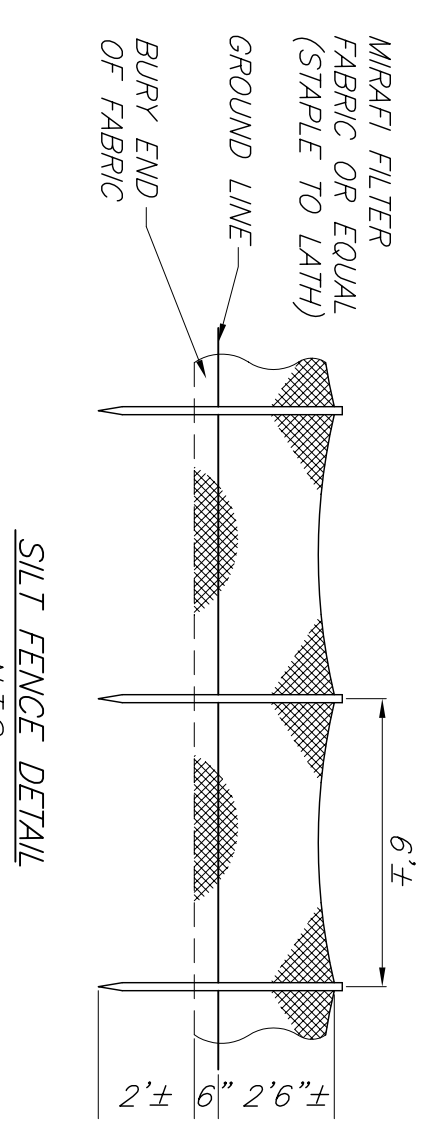


PLAN
N.T.S.



FLEXIBLE PAVEMENT DETAIL AND TRENCH LIMITS
N.T.S.

- ROAD PLATES MUST BE ON-SITE FOR ALL ROAD CUTS IN EXCESS OF 1/4 OF THE ROAD WIDTH.
- VARIABLE TYPE COMPACTOR MUST BE ON-SITE PRIOR TO COMMENCEMENT OF ROAD CUT.
- COMPLETION OF ROAD CUT TO BE ON-SITE PRIOR TO COMMENCEMENT OF ROAD CUT.
- ALL LOOSE OR BROKEN BLACKTOP MUST BE REMOVED.



SILT FENCE DETAIL
N.T.S.

SILT FENCE NOTES
IT SHALL BE THE RESPONSIBILITY OF THE CONTRACTOR TO PROVIDE AND MAINTAIN SILT FENCES THROUGHOUT THE CONSTRUCTION PERIOD. SILT FENCES ARE TO BE USED FOR SILTATION CONTROL AROUND ALL AREAS THAT WILL BE DISRUPTED DURING CONSTRUCTION. SILT FENCES ARE TO BE MAINTAINED TO THE SATISFACTION OF THE ENGINEER AND WILL BE REMOVED BY THE CONTRACTOR ONCE GROUND COVER IS REESTABLISHED.

THIS SHEET IS VOID IF NOT ACCOMPANIED BY ALL SHEETS IN THE SET
TALCOTT ENGINEERING DESIGN, PLLC.

1 GARDNERTOWN ROAD
NEW WINDSOR, N.Y. 12553
(845) 569-8400
FAX: (845) 569-8400
TALCOTTDESIGN@GMAIL.COM

CHARLES T. BROWN, P.E.

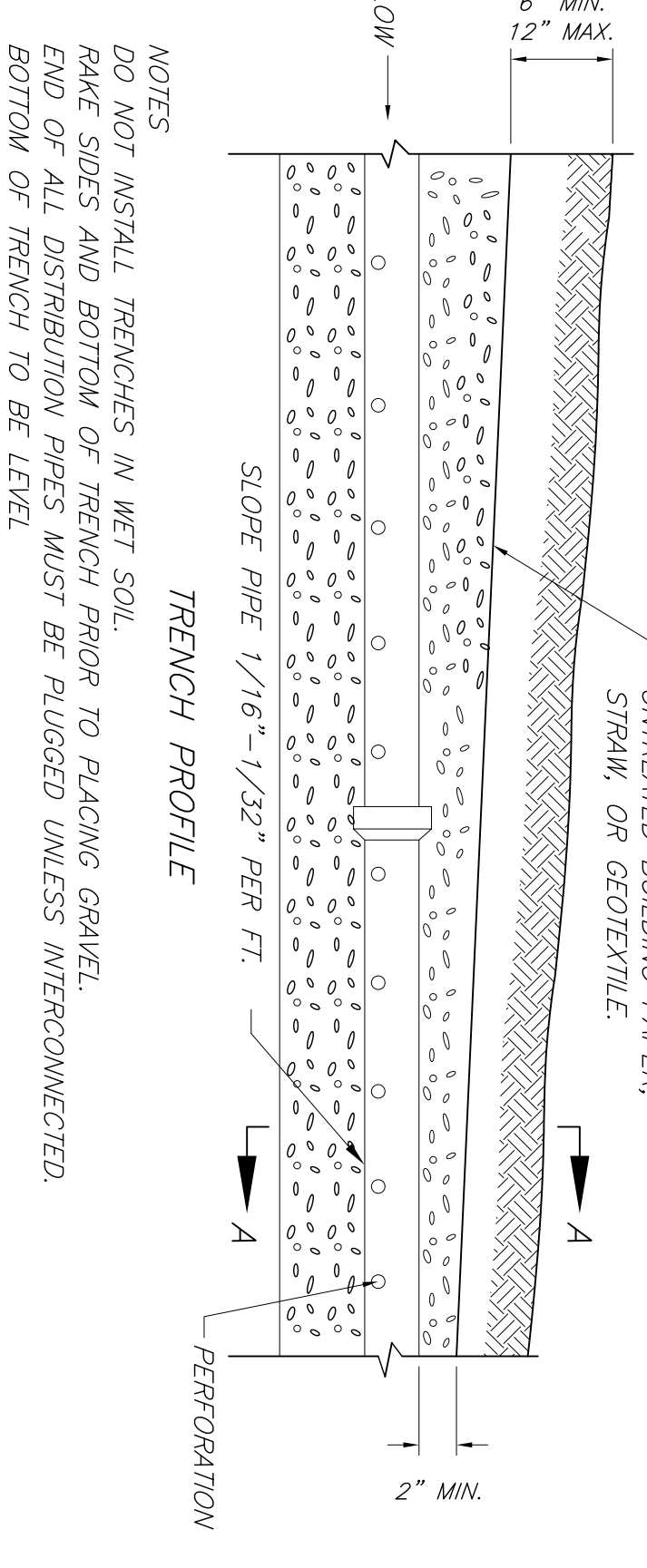
P.O. BOX 4420
NEW WINDSOR, N.Y. 12553

DETAILS

2 LOT SUBDIVISION & LOT LOVE CHANGE ENTITLED
"POTTER'S RIDGE SUBDIVISION"
POTTER'S RIDGE (SBL: 26-6-20 & 23)
TOWN OF NEWBURGH, COUNTY OF ORANGE, NY

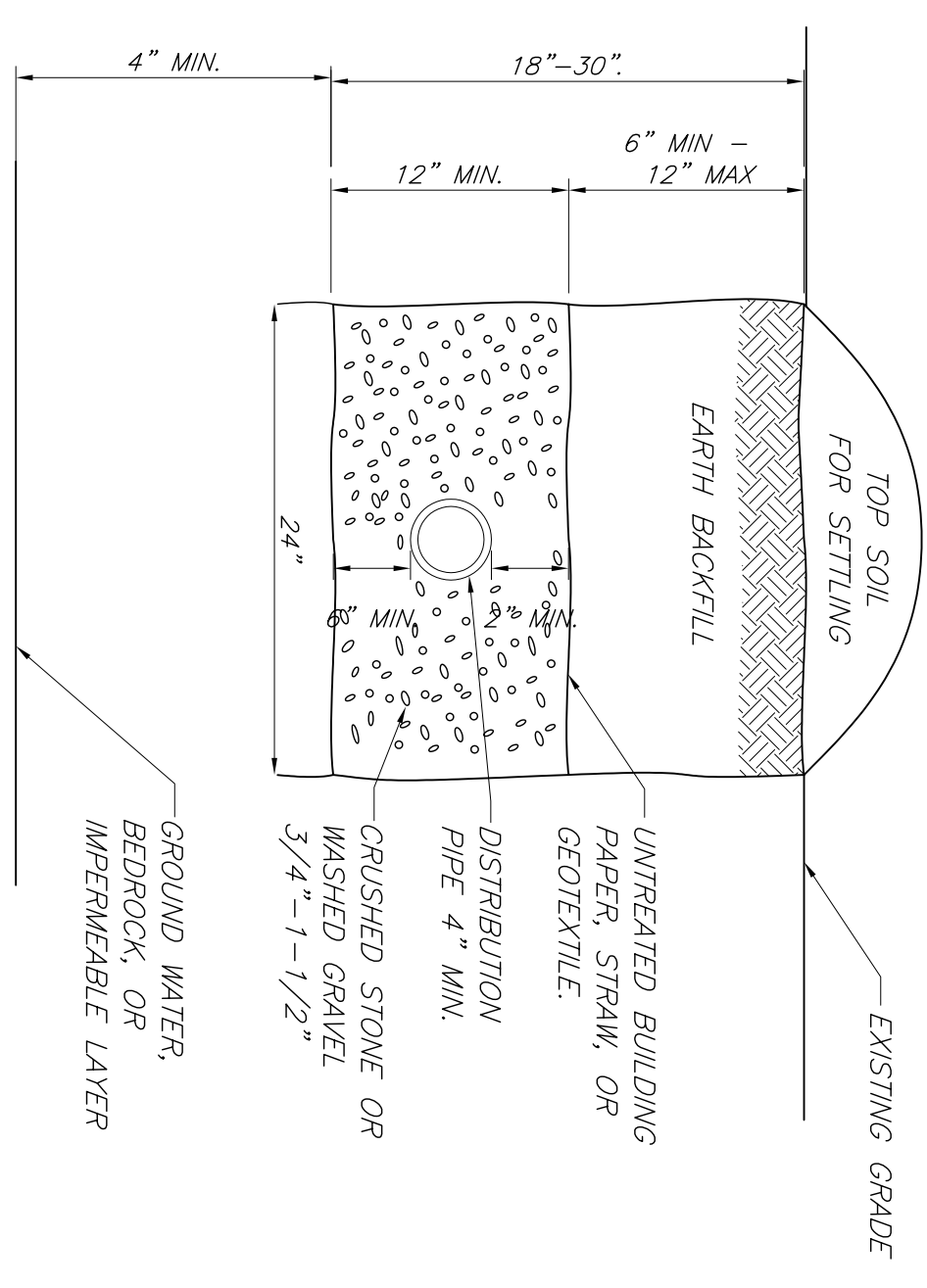
REVISIONS	REL. DATE	BY	DESCRIPTION

DATE	SCALE	JOB NUMBER	SHEET NUMBER
08/14/12	AS NOTED	12088-BRO	3 OF 3

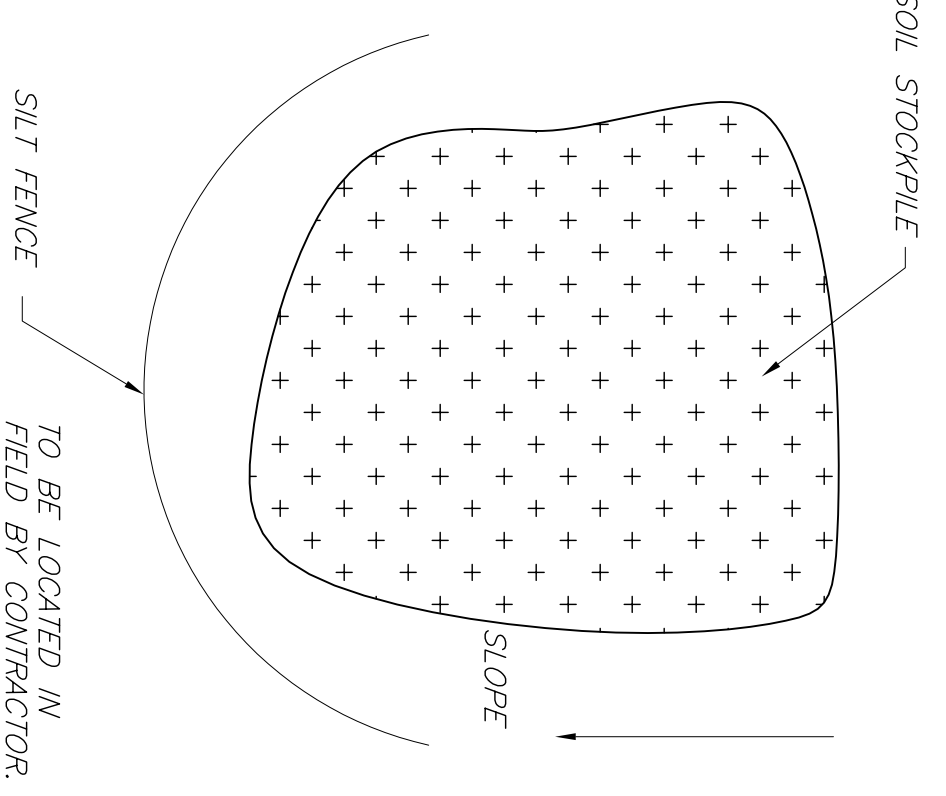


NOTES
DO NOT INSTALL TRENCHES IN WET SOIL.
RAISE SIDES AND BOTTOM OF TRENCH PRIOR TO PLACING GRAVEL.
END OF ALL DISTRIBUTION PIPES MUST BE PLUGGED UNLESS INTERCONNECTED.
BOTTOM OF TRENCH TO BE LEVEL.

ABSORPTION TRENCH DETAIL
N.T.S.



SECTION A-A
N.T.S.



SOIL STOCKPILE DETAIL
N.T.S.

CALL BEFORE YOU DIG... IT'S THE LAW

WHETHER YOU'RE LAYING A FOUNDATION FOR A BUILDING OR PLANTING A TREE, YOU MUST FIRST CHECK FOR THE EXISTENCE OF UNDERGROUND UTILITY LINES AND CABLES. IF YOU OR YOUR CONTRACTOR DISRUPT ANY OF THESE LINES, THE RESULTS CAN BE DANGEROUS AND COSTLY - TO EVERYONE. TO EVERYONE. CALL BEFORE YOU DIG. TOLL FREE, 1.800.272.4480 (IN NEW YORK CITY AND LONG ISLAND) OR 1.800.928.2922 (IN ALL OTHER AREAS OF THE STATE.)