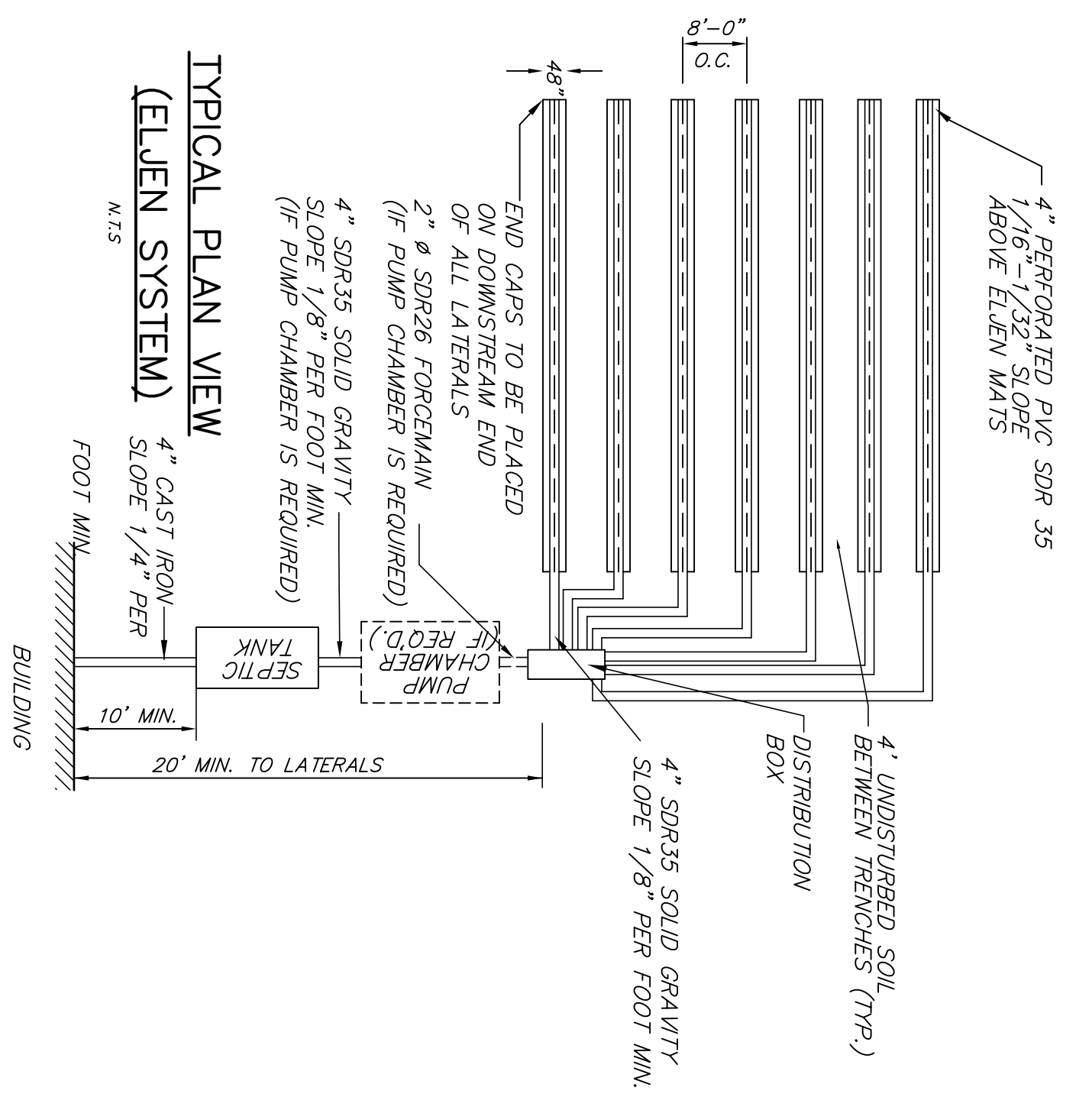
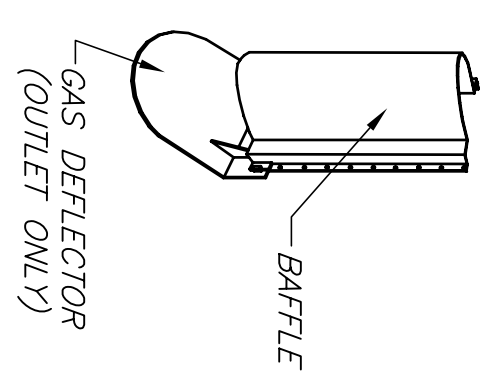
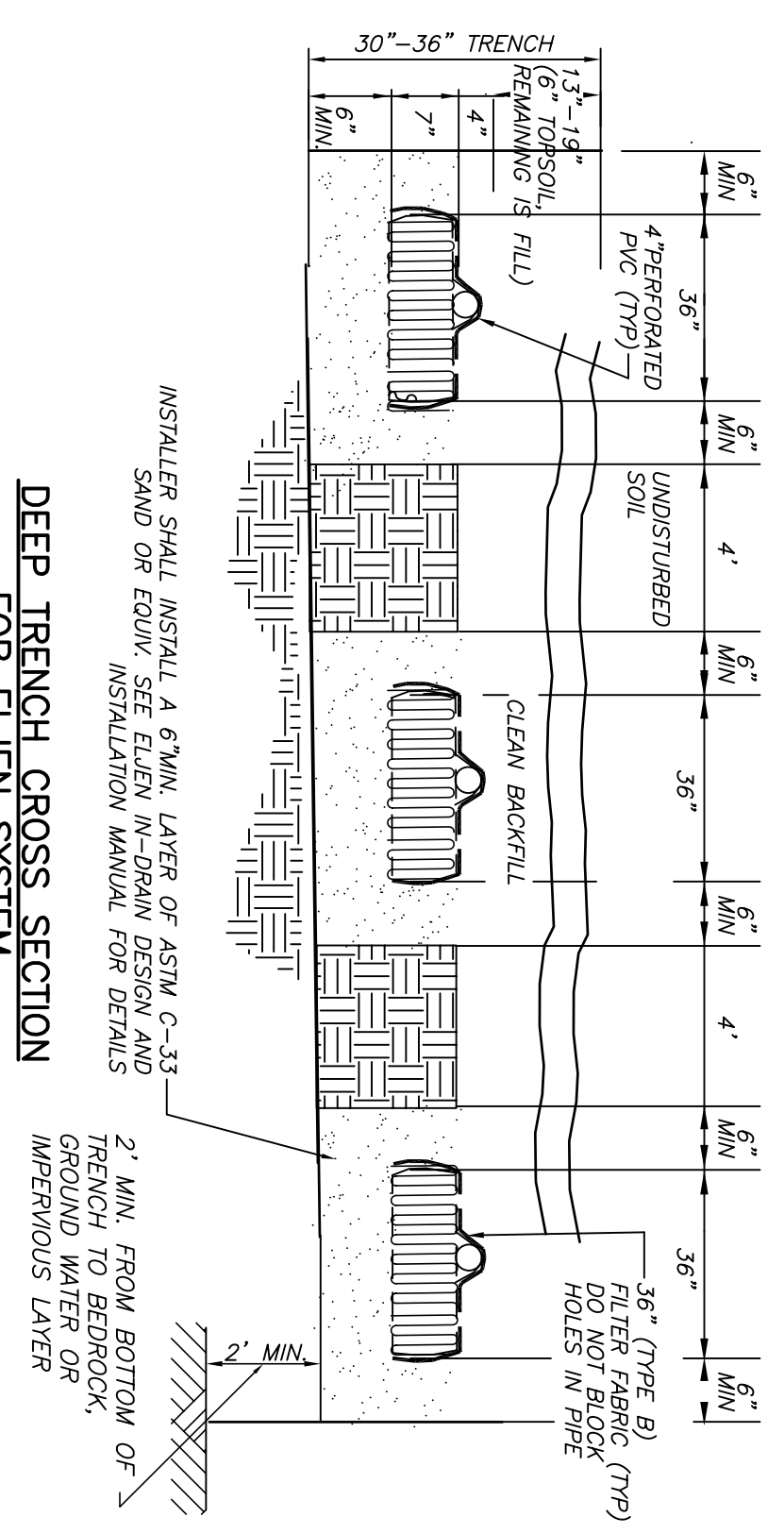


WOODARD'S 1250gpd. SEPTIC TANK OR EQUAL
N.I.S.

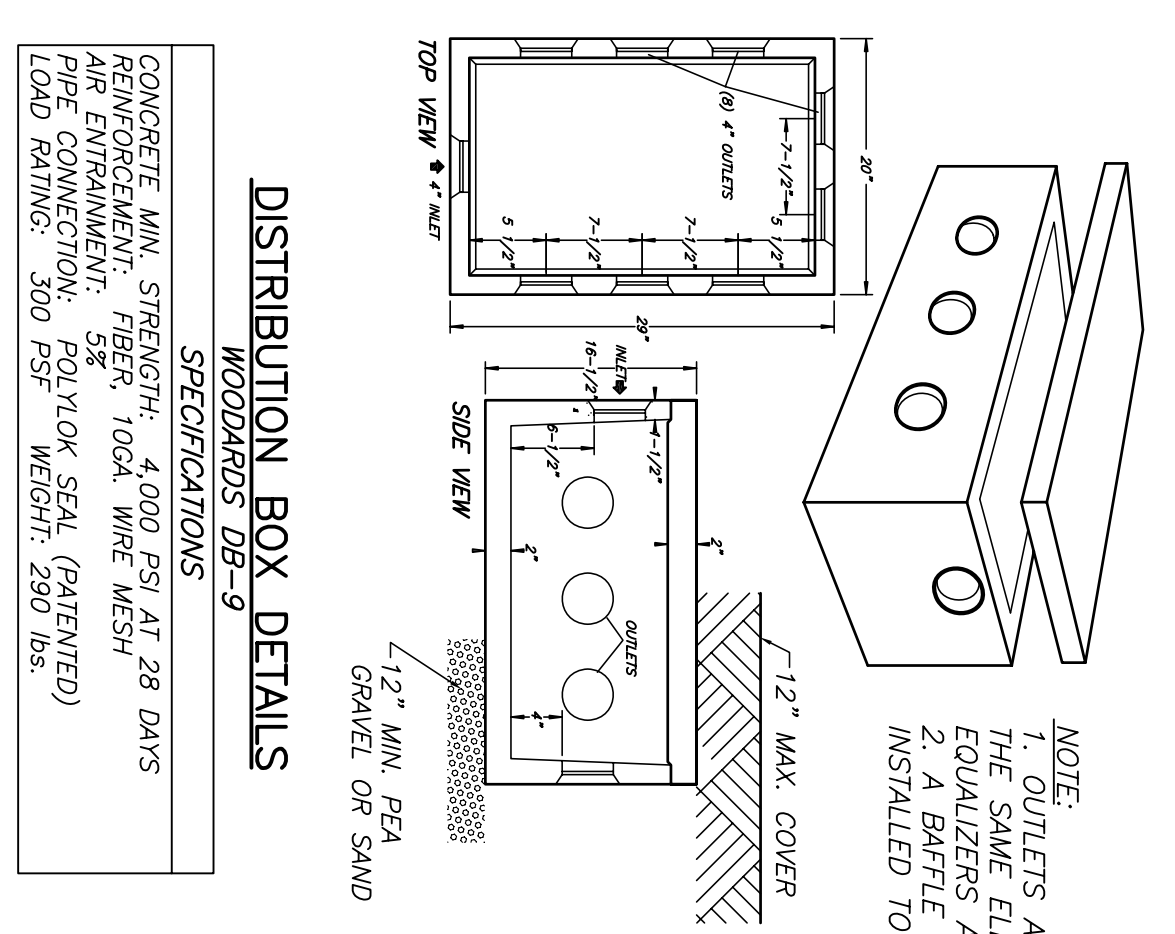
SPECIFICATIONS
CONCRETE MINIMUM STRENGTH—4,000 PSI AT 28 DAYS
REINFORCEMENT—#4 @ 100# MIN.; #4 REBAR
PIPE CONNECTION—POLYLOC SEAL (PATENTED)
LOAD RATING—300PSF WEIGHT = 9,500LBS



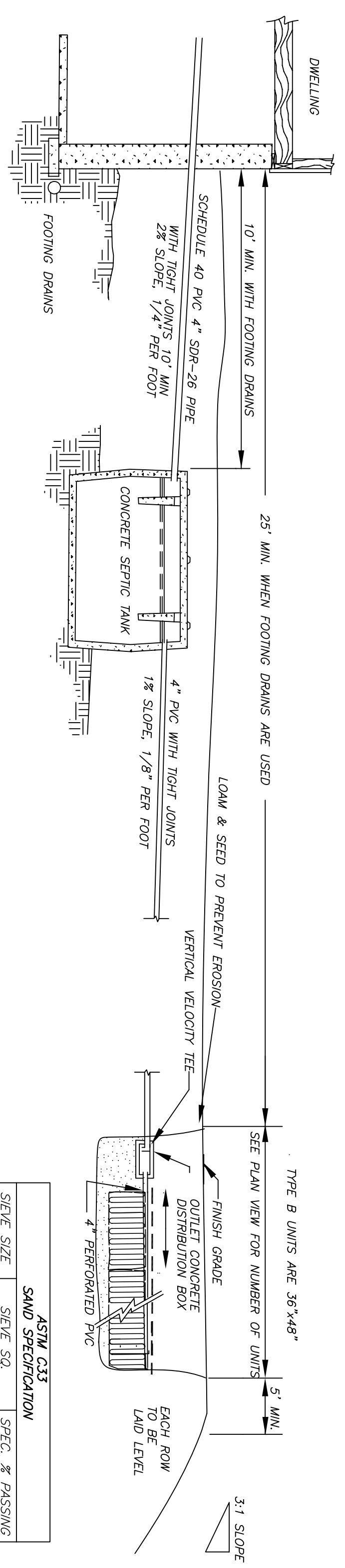
TYPICAL PLAN VIEW (ELUEN SYSTEM)
N.I.S.



DEEP TRENCH CROSS SECTION FOR ELUEN SYSTEM
N.I.S.

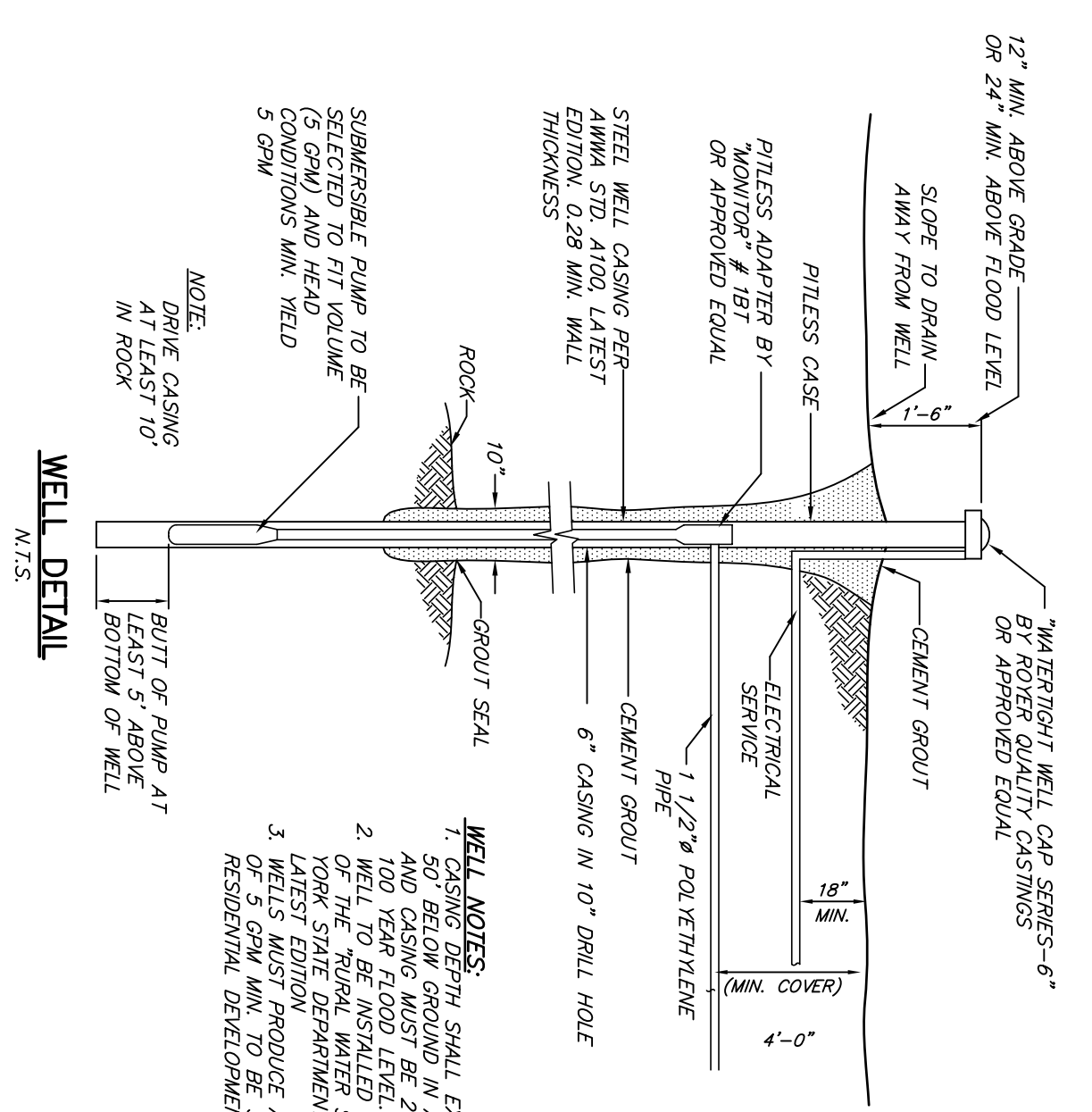


DISTRIBUTION BOX DETAILS
WOODARD'S DB-9
N.I.S.

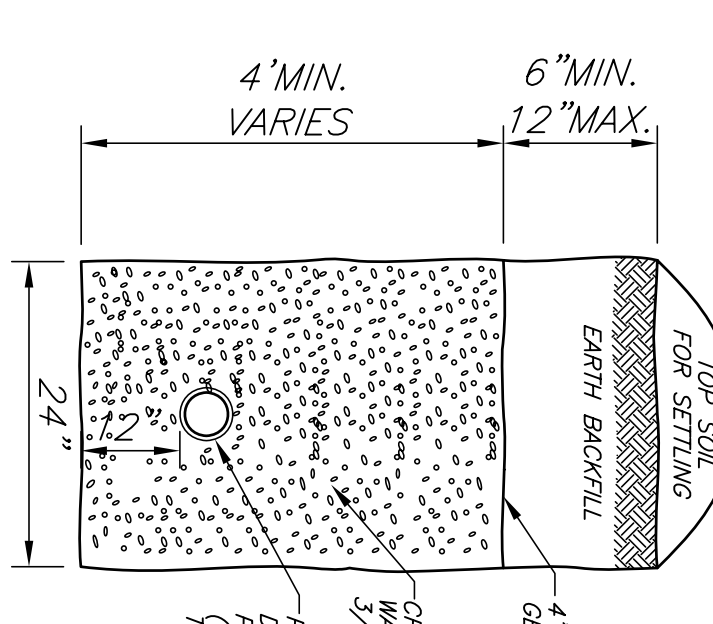


TYPICAL SECTION OF ELUEN IN-DRAIN SYSTEM
N.I.S.

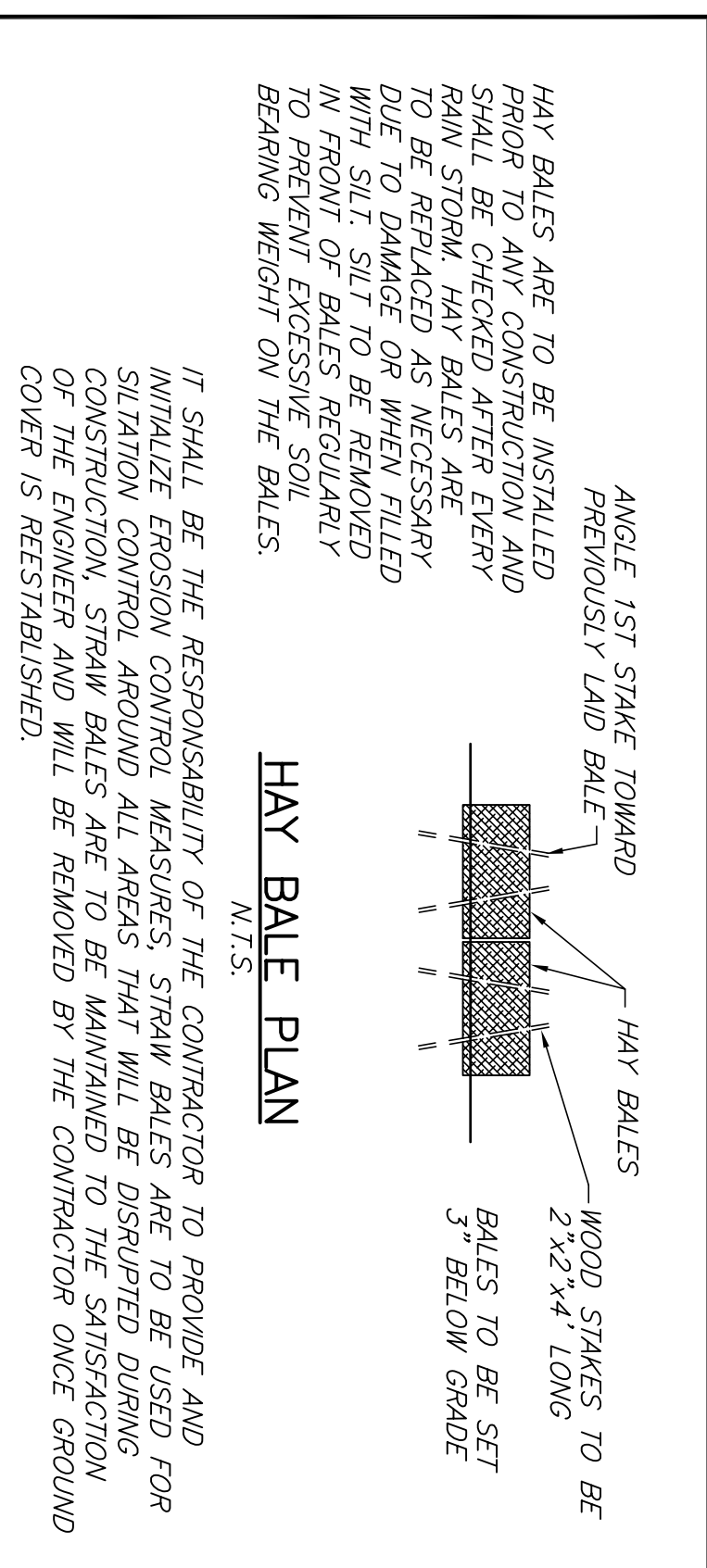
| SAND SPECIFICATION | | |
|--------------------|------------|-----------------|
| ASTM C33 | SIEVE SIZE | SPEC. % PASSING |
| | NO. 10 | 100.0-100.0 |
| | NO. 20 | 95.0-100.0 |
| | NO. 40 | 80.0-100.0 |
| | NO. 60 | 50.0-85.0 |
| | NO. 80 | 25.0-60.0 |
| | NO. 100 | 5.0-30.0 |
| | NO. 200 | < 10.0 |



WELL DETAIL
N.I.S.



CURTAIN DRAIN
N.I.S.



NOT FOR O.C.H.D. REVIEW OR APPROVAL

PLANS ARE INCOMPLETE AND INVALID UNLESS ACCOMPANIED BY ENTIRE SET (SHEETS 1-3)

REVISIONS:
4. REVISED 11/21/11 PER O.C.H.D. COMMENTS DATED 11/16/11.
3. REVISED 10/04/11 PER O.C.H.D. COMMENTS DATED 09/26/11.
2. REVISED 09/01/11 PER SOIL TESTING WITH O.C.H.D. 08/26/11.
1. REVISED 07/18/11 PER SOIL TESTING WITH O.C.H.D. 07/12/11.

WILLIAM J. MORRIS, P.E.
ENGINEER

BRYANT 2-LOT SUBDIVISION
MISC. DETAILS
74 CRONOMER HEIGHTS DRIVE
S.B.L. 75-1-46
TOWN OF NEWBURGH, ORANGE COUNTY, NY

DATE: 08/01/11
SCALE: 1" = 40'
JOB NUMBER: 11-028-MAC
SHEET NUMBER: 3 OF 3