



**McGOEY, HAUSER and EDSALL  
CONSULTING ENGINEERS D.P.C.**

MARK J. EDSALL, P.E., P.P. (NY, NJ & PA)  
MICHAEL W. WEEKS, P.E. (NY, NJ & PA)  
MICHAEL J. LAMOREAUX, P.E. (NY, NJ, PA, VT & VA)  
MATTHEW J. SICKLER, P.E. (NY & PA)  
PATRICK J. HINES

Main Office  
33 Airport Center Drive  
Suite 202  
New Windsor, New York 12553

(845) 567-3100  
fax: (845) 567-3232  
e-mail: mheny@mhepc.com

Principal Emeritus:  
RICHARD D. McGOEY, P.E. (NY & PA)  
WILLIAM J. HAUSER, P.E. (NY, NJ & PA)

**TOWN OF NEWBURGH  
PLANNING BOARD  
TECHNICAL REVIEW COMMENTS**

**PROJECT NAME: SIEROTA SITE PLAN**  
**PROJECT NO.: 15-28**  
**PROJECT LOCATION: SECTION 94, BLOCK 1, LOT 61**  
**REVIEW DATE: 9 OCTOBER 2015**  
**MEETING DATE: 15 OCTOBER 2015**  
**REPRESENTATIVE: ENGINEERING & SURVEYING PROPERTIES**

1. The Applicant's Representative is asked to discuss the ownership of Lot 57 which appears to be a strip of land between Cocheton Avenue. The proposed access seems to cross this strip of property identified as a separate Tax Map parcel.
2. All storm water management facilities, existing and proposed, should be depicted on the plans. A review of the Google Earth available mapping identifies significant pending on this site between Route 17K and the existing structure.
3. A 35 foot landscape buffer is required along Route 17K.
4. Compliance with design guidelines should be documented. Parking of vehicles within front yard setbacks does not comply with design guidelines. Site lighting should be addressed in accordance with Town Design Guidelines.
5. A Landscaping Plan should be prepared for the site.
6. History of the 1,000 gallon diesel storage tank should be provided. Timing and any permitting for this should be received. Storage tank is located within front yard setback of Willow Street.
7. Well to be abandoned should be abandoning compliance with AWWA Standards.
8. Town of Newburgh water system notes must be added to the plans as project proposes to connect to Town's water system.
9. Gerry Canfield's comments regarding sprinklering of the existing structure should be received.

10. Clearly defined access points should be provided on the site from any of the town roadways which the project fronts on. It is unclear where paving and access roadways are proposed on the site. Commercial sites are required to have all parking and access points paved.
11. Information pertaining to the Subsurface Sanitary Sewer Disposal System and proposed hydraulic loading from the site should be provided.
12. A sign is identified at the intersection of Cocheton Avenue and Route 17K which appears to be on another adjoining property. If this sign is proposed for this use, sign must comply with Town of Newburgh Zoning requirements. If additional signage is proposed, signage must be identified on the plans.

Respectfully submitted,

***McGoey, Hauser & Edsall  
Consulting Engineers, D.P.C.***

---

Patrick J. Hines  
Principal



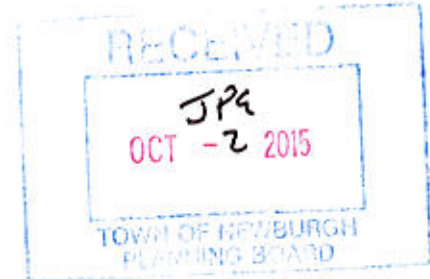
www.EngineeringPropertiesPC.com  
71 Clinton Street  
Montgomery, NY 12549  
phone: (845) 457-7727  
fax: (845) 457-1899

October 1, 2015

Town of Newburgh Planning Board  
308 Gardnertown Road  
Newburgh, NY 12550

ATTN: John Ewasutyn, Chairman

RE: SIEROTA SITE PLAN  
NYS ROUTE 17K & COCHECTON AVE  
TAX LOT # 94-1-61 (Project #2015-28)




Dear Mr. Ewasutyn:

Please find attached 15 copies of the plan set for the above referenced project. The proposed plan is a site plan for the tax parcel #94-1-61. The parcel is located in the Interchange Business (IB) District. The proposed use is a motor vehicle service station which is a permitted use subject to site plan approval in the IB District.

The rectangular shaped parcel has street frontage on three (3) sides. The site contains and existing +/-3,000 square foot building which is proposed to be used for the servicing of motor vehicles. The existing gravel area to the northeast is proposed to be paved with associated parking with an entrance off of Cochection Avenue to the east of the property. Utilities will be provided by the existing septic system located on-site and a proposed water service connection to the existing watermain located within Cochection Avenue. All service will occur inside the building. It is anticipated that there will be 3 to 4 employees and the 3 to 4 fleet vans at the site on a daily basis.

If you have any additional questions and/or comments please don't hesitate to contact this office.

Sincerely,  
Engineering & Surveying Properties, PC



Ross Winglovitz, P.E.  
Principal

CC: file

**TOWN OF NEWBURGH PLANNING BOARD**

**APPLICATION PACKAGE**

**for**

**SUBDIVISIONS,**

**SITE PLANS,**

**LOT LINE CHANGES**

**And**

**SPECIAL EXCEPTION USE PERMITS**

**Procedures and Requirements**

**July 2013**

**TOWN OF NEWBURGH PLANNING BOARD  
308 GARDNERTOWN ROAD  
NEWBURGH, NEW YORK 12550  
(845) 564-7804  
fax: (845) 564-7802  
[planningboard@hvc.rr.com](mailto:planningboard@hvc.rr.com)**

JULY 2013

**TO WHOM IT MAY CONCERN:**

This package of information and forms is provided to assist the applicant in the preparation of a submission of a site plan, subdivision, lot line change or special exception use permit to the Town of Newburgh Planning Board. In most cases the application will be prepared initially by a licensed professional engineer, architect, surveyor or land planner. Since in almost every case such professional will be required for the process, they should be retained as early as possible.

Procedurally, the applicant should contact the Planning Board to discuss the potential project and obtain the necessary forms and regulations.

The Zoning and Subdivision Regulations of the Town of Newburgh require that the applicant must present plans to the Secretary of the Planning Board. When your application is complete, it will be placed on the next **AVAILABLE** agenda. Submittals must be handed in to the Planning Board Secretary at least 10 days prior to the next meeting, but the date of the appearance at a meeting will be determined by the next available time slot, not necessarily the next meeting. You will be notified of the date, time and place of your meeting.

A minimum of **FOURTEEN (14)** sets of **FOLDED PLANS** for a major or minor subdivision or a site plan must be submitted with a **COMPLETED** application, and **FIFTEEN (15)** sets of plans must be submitted if plans need to be submitted to the Town of Newburgh Traffic Consultant. This completed application must include a **LONG FORM OR FULL EAF** for every project except lot line changes, 2 lot subdivisions under 3 acres or site plans impacting less than one acre, along with a **NARRATIVE** of the proposed project. The narrative should include the action being taken, the size of the parcel, what zone the parcel is in, the water and sewer information, any Zoning Board of Appeals relief needed, and whether the parcel is on a private or town road. Complex or unusual projects should be discussed in greater detail.

Following the first meeting before the Planning Board the applicant is required to send an Adjoiner Notice to property owners within 500 feet of the parcels in question (please see final page of the package for full instructions).

Upon initial review of a Short Form, the Planning Board may require specific additional environmental information or the preparation of a Long Form. Long Form part 1 should be completed by the applicant. The Board will review and may modify Part 2 prior to making a decision on the SEQRA aspect of the project.

All fees for consulting and professional services that the Planning Board incurs during the review of the applications will be the responsibility of the applicant. An advance deposit for these fees will be required and will be placed in an escrow account with the Town. If the escrow account falls below the 40% of the initial deposit, the applicant will be required to immediately make an additional deposit to the escrow account prior to any further review of the project application by the Planning Board.

Very truly yours,

JOHN P. EWASUTYN, Chairman  
Town of Newburgh Planning Board

**TOWN OF NEWBURGH  
APPLICATION FOR  
SUBDIVISION/SITE PLAN REVIEW**

**RETURN TO: Town of Newburgh Planning Board  
308 Gardnertown Road  
Newburgh, New York 12550**

**DATE RECEIVED:** \_\_\_\_\_ **TOWN FILE NO:** \_\_\_\_\_  
(Application fee returnable with this application)

**1. Title of Subdivision/Site Plan (Project name):**

Sierola Site Plan

**2. Owner of Lands to be reviewed:**

**Name** Drury Development, LLC

**Address** 19 Lindy Drive

Carmel, NY 10512

**Phone** \_\_\_\_\_

**3. Applicant Information (If different than owner):**

**Name** Grzegorz Sierota

**Address** 6 High Lonesome Terrace

Walkill, NY 12589

**Representative** Engineering & Surveying Properties, PC

**Phone** 845-457-7727

**Fax** 845-457-1899

**Email** ross@ep-pc.com

**4. Subdivision/Site Plan prepared by:**

**Name** Engineering & Surveying Properties, PC

**Address** 71 Clinton Street

Montgomery, NY 12549

**Phone/Fax** phone: 845-457-7727 fax: 845-457-1899

**5. Location of lands to be reviewed:**

162 Route 17K, Newburgh, NY

**6. Zone** IB

**Fire District** Orange Lake

**Acreeage** 1.18 acres

**School District** Newburgh

**7. Tax Map: Section** 94 **Block** 1 **Lot** 61

**8. Project Description and Purpose of Review:**

Number of existing lots \_\_\_\_\_ Number of proposed lots \_\_\_\_\_  
Lot line change \_\_\_\_\_  
Site plan review Site plan for proposed motor vehicle service station  
Clearing and grading \_\_\_\_\_  
Other \_\_\_\_\_

**PROVIDE A WRITTEN SINGLE PAGE DESCRIPTION OR NARRATIVE OF THE PROJECT**

**9. Easements or other restrictions on property:**

(Describe generally) Access Easement along south eastern property line

**10. The undersigned hereby requests approval by the Planning Board of the above identified application and scheduling for an appearance on an agenda:**

Signature  Title Owner

Date: 9/29/15

**NOTE:** If property abuts and has its access to a County or State Highway or road, the following information must be placed on the subdivision map or site plan: entrance location, entrance profile, sizing of pipe (minimum length of pipe to be 24 feet).

The applicant will also be required to submit an additional set of plans, narrative letter and EAF if referral to the Orange County Planning Department is required under General Municipal Law Section 239.



**TOWN OF NEWBURGH PLANNING BOARD**

Sierota Site Plan

**PROJECT NAME**

**CHECKLIST FOR MAJOR/MINOR SUBDIVISION AND/OR SITE PLAN**

**I. The following items shall be submitted with a COMPLETED Planning Board Application Form.**

1.  Environmental Assessment Form As Required
2.  Proxy Statement
3.  Application Fees
4.  Completed Checklist (Automatic rejection of application without checklist)

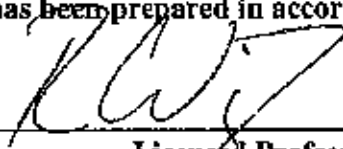
**II. The following checklist items shall be incorporated on the Subdivision Plat or Site Plan prior to consideration of being placed on the Planning Board Agenda. Non-submittal of the checklist will result in application rejection.**

1.  Name and address of applicant
2.  Name and address of owner (if different from applicant)
3.  Subdivision or Site Plan and Location
4.  Tax Map Data (Section-Block-Lot)
5.  Location map at a scale of 1" = 2,000 ft. or less on a tax map or USCGS map base only with property outlined
6.  Zoning table showing what is required in the particular zone and what applicant is proposing. A table is to be provided for each proposed lot
7.  na Show zoning boundary if any portion of proposed site is within or adjacent to a different zone
8.  Date of plan preparation and/or plan revisions
9.  Scale the plan is drawn to (Max 1" = 100')
10.  North Arrow pointing generally up

11. TBP Surveyor,s Certification
12. TBP Surveyor's seal and signature
13. x Name of adjoining owners
14. na Wetlands and 100 ft. buffer zone with an appropriate note regarding D.E.C. or A.C.O.E. requirements
15. na Flood plain boundaries
16. na Certified sewerage system design and placement by a Licensed Professional Engineer must be shown on plans in accordance with Local Law #1 1989
17. x Metes and bounds of all lots
18. x Name and width of adjacent streets; the road boundary is to be a minimum of 25 ft. from the physical center line of the street
19. x Show existing or proposed easements (note restrictions)
20. x Right-of-way width and Rights of Access and Utility Placement
21. na Road profile and typical section (minimum traveled surface, excluding shoulders, is to be 18 ft. wide)
22. x Lot area (in sq. ft. for each lot less than 2 acres)
23. na Number of lots including residual lot
24. x Show any existing waterways
25. na A note stating a road maintenance agreement is to be filed in the County Clerk's Office where applicable
26. x Applicable note pertaining to owners review and concurrence with plat together with owner's signature
27. x Show any improvements, i.e. drainage systems, water lines, sewer lines, etc.
28. x Show all existing houses, accessory structures, wells and septic systems on and within 200 ft. of the parcel to be subdivided
29. x Show topographical data with 2 or 5 ft. contours on initial submission

30. x Indicate any reference to a previous subdivision, i.e. filed map number, date and previous lot number
31. na If a private road, Town Board approval of name is required, and notes on the plan that no town services will be provided and a street sign (per town specs) is to be furnished and installed
32. na Number of acres to be cleared or timber harvested
33. na Estimated or known cubic yards of material to be excavated and removed from the site
34. na Estimated or known cubic yards of fill required
35. x The amount of grading expected or known to be required to bring the site to readiness
36. na Type and amount of site preparation which falls within the 100 ft. buffer strip of wetlands or within the Critical Environmental Area. Please explain in sq. ft. or cubic yards.
- 
- 
37. na Any amount of site preparation within a 100 year floodplain or any water course on the site. Please explain in sq. ft. or cubic yards.
- 
- 
38. tbp List of property owners within 500 feet of all parcels to be developed (see attached statement).

The plan for the proposed subdivision or site has been prepared in accordance with this checklist.

By:  Ross Winglovitz  
 Licensed Professional

Date: 9-29-15

This list is designed to be a guide ONLY. The Town of Newburgh Planning Board may require additional notes or revisions prior to granting approval.

Prepared (insert date):

## STATEMENT TO APPLICANTS

### RE: TOWN OF NEWBURGH CLEARING AND GRADING LAW

The Town of Newburgh Clearing and Grading Control Law requires a separate permit for most site preparation activities, including clearing, grading, tree cutting, excavating and filling. Site preparation activities performed following site plan or subdivision approval by the Planning Board may be exempt from the permit application, public hearing, fee and bonding requirements of the law provided the subdivision or site plan application has been reviewed for conformance with the clearing and grading law and the approval conditioned on compliance with the standards set forth in the law. Completion of the attached form will enable the Planning Board to review your application for conformance with the law's requirements. In the event it is not completed you may be required to apply for a separated permit for your site preparation activities. A sediment and erosion control plan and a plan showing the areas to be cleared, filled, graded or subjected to tree cutting, the types of vegetation affected and the proposed disposition of the destroyed vegetation must accompany the form. A SEQRA long form or full EAF should be utilized to discuss any environmental impacts and must accompany the application.

NOT APPLICABLE  
**TOWN OF NEWBURGH**  
**APPLICATION FOR CLEARING AND GRADING**

Name of applicant: \_\_\_\_\_

Name of owner on premises: \_\_\_\_\_

Address of owner: \_\_\_\_\_

Telephone number of owner: \_\_\_\_\_

Telephone number of applicant: \_\_\_\_\_

State whether applicant is owner, lessee, agent, architect, engineer or contractor:

\_\_\_\_\_

Location of land on which proposed work will be done: \_\_\_\_\_

\_\_\_\_\_

Section: \_\_\_\_\_ Block: \_\_\_\_\_ Lot: \_\_\_\_\_ Sub. Div.: \_\_\_\_\_

Zoning District of Property: \_\_\_\_\_ Size of Lot: \_\_\_\_\_

Area of lot to be cleared or graded: \_\_\_\_\_

Proposed completion of date: \_\_\_\_\_

Name of contractor/agent, if different than owner: \_\_\_\_\_

Address: \_\_\_\_\_

Telephone number: \_\_\_\_\_

Date of Planning Board Approval: \_\_\_\_\_ (if required)

I hereby agree to hold the Town of Newburgh harmless from any claims arising from the proposed activity.

Signature of owner: \_\_\_\_\_ Date: \_\_\_\_\_

Signature of applicant (if different than owner): \_\_\_\_\_

**TOWN ACTION:**

Examined: \_\_\_\_\_ 20 \_\_\_\_\_

Approved: \_\_\_\_\_ 20 \_\_\_\_\_

Disapproved: \_\_\_\_\_ 20 \_\_\_\_\_

## **FEE LAW SUMMARY**

### **PENDING APPLICATIONS**

All applicants with matters pending before the Planning Board as of the effective date of this local law shall be required to post as escrow in the manner and upon the terms and conditions set forth below:

- (a) The Planning Board, in consultation with the applicant, shall compute the amount of the escrow to be posted with the Town. Such amount shall be reasonably related to the costs attendant to the Town's review of the application as of the effective date of this local law. Under no circumstances shall the escrow include amounts attributable to any costs incurred by the Town prior to the effective date of this local law.
- (b) Once computed and established by Resolution of the Planning Board, the applicant shall, within fifteen (15) days of said resolution, post escrow fees with the Secretary of the Planning Board. Failure to deliver the said escrow fees may result in delay of the further processing of the application.

### **SEVERABILITY**

In the event a court of law determined that any provision of this chapter is unenforceable, then only that provision shall be affected and all other provisions shall be fully enforceable.

### **EFFECTIVE DATE:**

This local law shall take effect immediately upon filing in the Office of the Secretary of State.

**FEE ACKNOWLEDGEMENT**

The town of Newburgh Municipal Code sets forth the schedule of fees for applications to the Planning Board. The signing of this application indicates your acknowledgement of responsibility for payment of these fees to the Planning Board for review of this application, including, but not limited to escrow fees for professional services (planner/consultant, engineering, legal), public hearing and site inspection. Applicant's submissions and resubmissions are not complete and will not be considered by the planning board or placed upon its agenda unless all outstanding fees have been paid. Fees incurred after the stamping of plans will remain the responsibility of the applicant prior to approval of a building permit or certificate of occupancy. Fee schedules are available from the Planning Board Secretary and are on the Town's website.

Grzegorz Sierota

\_\_\_\_\_  
**APPLICANT'S NAME (printed)**

  
\_\_\_\_\_  
**APPLICANT'S SIGNATURE**

9/29/15  
\_\_\_\_\_  
**DATE**

Note: if the property abuts and has access to a County or State Highway or road, the following information must be placed on the subdivision map: entrance location, entrance profile, sizing of drainage pipe (minimum length of pipe to be twenty-four (24) feet).

**PROXY**

(OWNER) Drury Development, LLC, DEPOSES AND SAYS THAT HE/SHE  
RESIDES AT 19 Lindy Drive, Carmel, NY 10512  
IN THE COUNTY OF Putnam  
AND STATE OF New York  
AND THAT HE/SHE IS THE OWNER IN FEE OF 162 Route 17K, Newburgh NY 12550  
Town of Newburgh tax map # 94-1-61

WHICH IS THE PREMISES DESCRIBED IN THE FOREGOING  
APPLICATION AS DESCRIBED THEREIN TO THE TOWN OF NEWBURGH  
PLANNING BOARD AND Engineering & Surveying Properties, PC IS AUTHORIZED  
TO REPRESENT THEM AT MEETINGS OF SAID BOARD.

DATED: Sept. 29, 2015

\_\_\_\_\_  
\_\_\_\_\_  
\_\_\_\_\_

NAMES OF ADDITIONAL  
REPRESENTATIVES

R. Logan  
OWNERS SIGNATURE

R. Logan  
Drury Development LLC  
OWNERS NAME (printed)

[Signature]  
WITNESS' SIGNATURE

Melissa Robusto  
WITNESS' NAME (printed)



**PLANNING BOARD DISCLAIMER STATEMENT**  
**TO APPLICANTS**

The applicant is advised that the Town of Newburgh Municipal Code, which contains the Town's Zoning Law, is subject to amendment. Submission of an application to this Board does not grant the applicant any right to continued review under the Code's current standards and requirements. It is possible that the applicant will be required to meet changed standards or new Code requirements made while the application is pending.

An approval by this Board does not constitute permission, nor grant any right to connect to or use municipal services such as sewer, water or roads. It is the applicant's responsibility to apply for and obtain the Town of Newburgh and other agency approvals not within this Board's authority to grant.

The applicant hereby acknowledges, consents, and agrees to the above.

9/29/15  
DATED

Grzegorz Sierota  
\_\_\_\_\_  
APPLICANT'S NAME (printed)

  
\_\_\_\_\_  
APPLICANT'S SIGNATURE

**DISCLOSURE ADDENDUM STATEMENT TO APPLICATION,  
PETITION AND REQUEST**

Mindful of the provisions of Section 809 of the General Municipal Law of the State of New York, and of the Penal provisions thereof as well, the undersigned applicant states that no State Officer, Officer or Employee of the Town of Newburgh, or Orange County, has any interest, financial or otherwise, in this application or with, or in the applicant as defined in said Statute, except the following person or persons who is or are represented to have only the following type of interest, in the nature and to the extent hereinafter indicated:

\_\_\_\_\_ NONE

\_\_\_\_\_ NAME, ADDRESS, RELATIONSHIP OR INTEREST  
(financial or otherwise)

\_\_\_\_\_

\_\_\_\_\_

\_\_\_\_\_

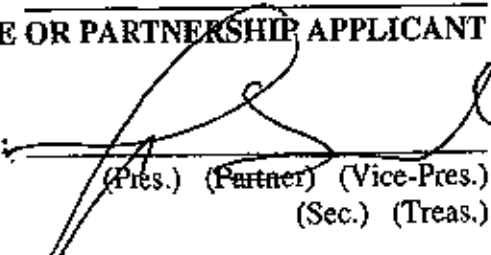
This disclosure addendum statement is annexed to and made a part of the petition, application and request made by the undersigned applicant to the following Board or Officer of the Town of Newburgh.

\_\_\_\_\_ TOWN BOARD  
x \_\_\_\_\_ PLANNING BOARD  
\_\_\_\_\_ ZONING BOARD OF APPEALS  
\_\_\_\_\_ ZONING ENFORCEMENT OFFICER  
\_\_\_\_\_ BUILDING INSPECTOR  
\_\_\_\_\_ OTHER

\_\_\_\_\_ DATED

Grzegorz Sierota  
\_\_\_\_\_ INDIVIDUAL APPLICANT

\_\_\_\_\_ CORPORATE OR PARTNERSHIP APPLICANT

BY:  \_\_\_\_\_  
(Pres.) (Partner) (Vice-Pres.)  
(Sec.) (Treas.)

## AGRICULTURAL NOTE

**(Required to be placed on all plans where property lies within 500 feet of land in active agricultural production or operation)**

Property adjacent to lots (1) is in active agricultural operation and production and residents must be aware that such property is protected by New York State "Right to Farm Laws" as regulated by the Department of Agriculture and Markets. From time to time during and prior to the normal growing season land and crops may be sprayed from the ground or by air, manure may be applied, and periodic noise may occur from machinery operation at various times throughout the day. Residents should be aware of this action by the adjacent property owners.

( 1 ) Specific lots adjacent to the active farming area which are impacted shall be inserted in this space.

NOT APPLICABLE

**AGRICULTURAL DATA STATEMENT**

(Required pursuant to Agricultural and Markets Law §305-a for applications for site plan approvals, use variances and subdivision approvals that will occur on property within a County Agricultural District containing an active farm operation or on property with boundaries within five hundred feet of an active farm operation located in a County Agricultural District)

Name and address of the applicant: \_\_\_\_\_

\_\_\_\_\_

Description of the proposed project: \_\_\_\_\_

\_\_\_\_\_

Location of the proposed project: \_\_\_\_\_

\_\_\_\_\_

Name(s) and address(es) of any owner(s) of land within a County Agricultural District containing active farming operations and located within five hundred feet of the boundary of the project property: \_\_\_\_\_

\_\_\_\_\_

NONE

\_\_\_\_\_

\_\_\_\_\_

A tax map or other map showing the site of the proposed project relative to the location of the identified farm operations must be attached to this form.

\_\_\_\_\_  
APPLICANT'S SIGNATURE

\_\_\_\_\_  
DATE

## ARCHITECTURAL REVIEW

The Town of Newburgh Planning Board had been authorized to act as the Architectural Review Board for all: site plans, projects involving ten or more dwelling units, and any construction that would affect the character of a neighborhood under Section §185-59 of the Town Code (Zoning Law).

In order to perform this task, at some point prior to final approval, the applicant shall provide the Planning Board with elevations of buildings for all sides and a written (separately or on drawings) description of the materials, colors and textures to be used in construction. Plans shall also include topographical information and any screening of portions of the buildings, either existing or proposed.

Samples of the material and colors to be used shall either be submitted to the Planning Board or brought to the meeting at which architectural review will be discussed.

TO BE PROVIDED PRIOR TO FINAL  
**ARCHITECTURAL REVIEW FORM**  
**TOWN OF NEWBURGH PLANNING BOARD**

**DATE:** \_\_\_\_\_

**NAME OF PROJECT:** \_\_\_\_\_

The applicant is to submit in writing the following items prior to signing of the site plans.

**EXTERIOR FINISH (skin of the building):**

Type (steel, wood, block, split block, etc.)

\_\_\_\_\_

**COLOR OF THE EXTERIOR OF BUILDING:**

\_\_\_\_\_

**ACCENT TRIM:**

Location: \_\_\_\_\_

Color: \_\_\_\_\_

Type (material): \_\_\_\_\_

**PARAPET (all roof top mechanicals are to be screened on all four sides):**

\_\_\_\_\_

**ROOF:**

Type (gabled, flat, etc.): \_\_\_\_\_

Material (shingles, metal, tar & sand, etc.): \_\_\_\_\_

Color: \_\_\_\_\_

**WINDOWS/SHUTTERS:**

Color (also trim if different): \_\_\_\_\_

Type: \_\_\_\_\_

**DOORS:**

Color: \_\_\_\_\_

Type (If different than standard door entrée): \_\_\_\_\_

**SIGN:**

Color: \_\_\_\_\_

Material: \_\_\_\_\_

Square footage of signage of site: \_\_\_\_\_

---

**Please print name and title (owner, agent, builder, superintendent of job, etc.)**

---

**Signature**

### **LIST OF ADJACENT PROPERTY OWNERS**

Within ten business days following the applicant's first appearance before the Planning Board, the applicant shall forward a letter prepared by the Planning Board or an authorized agent of the Planning Board to all property owners within 500 feet of the land involved in the application, as the names of such owners appear on the last completed assessment roll of the Town, notifying the property owners of the receipt of the plat and application, by first class mail. **The list of property owners shall be provided to the applicant from the Planning Board, through the Town Assessor's office.** The applicant shall thereafter submit a duly executed, notarized affidavit of mailing to the Planning Board. Further appearances before the Planning Board shall be prohibited until an affidavit meeting the requirements has been delivered. In the event a modification to an application proposes an increase in the number of lots or the relocation of a proposed road or drainage basin to a location adjacent to an adjoining property, then a supplementary letter shall be required to be forwarded in the same manner advising of the modification.



# Short Environmental Assessment Form

## Part 1 - Project Information


### Instructions for Completing

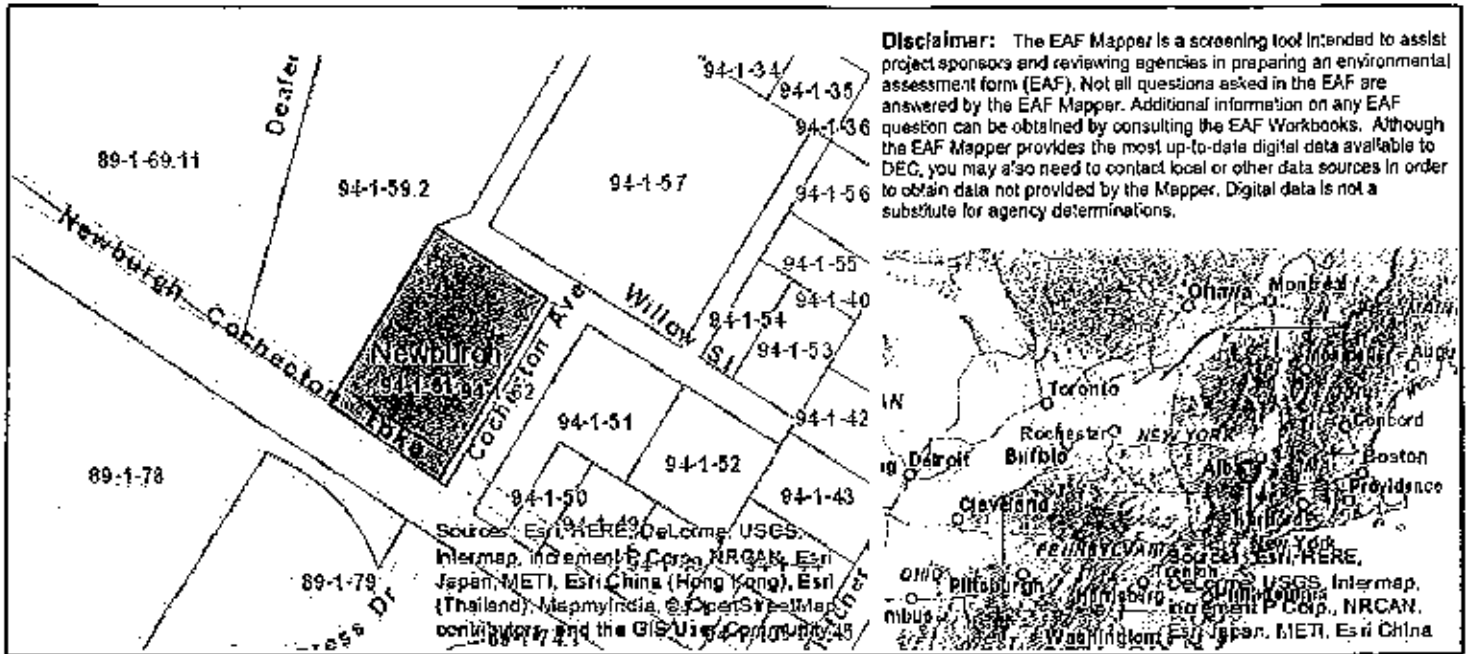
**Part 1 - Project Information.** The applicant or project sponsor is responsible for the completion of Part 1. Responses become part of the application for approval or funding, are subject to public review, and may be subject to further verification. Complete Part 1 based on information currently available. If additional research or investigation would be needed to fully respond to any item, please answer as thoroughly as possible based on current information.

Complete all items in Part 1. You may also provide any additional information which you believe will be needed by or useful to the lead agency; attach additional pages as necessary to supplement any item.

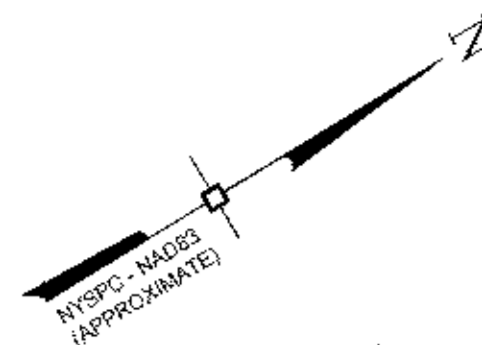
<b>Part 1 - Project and Sponsor Information</b>			
Name of Action or Project: Sierota Site Plan			
Project Location (describe, and attach a location map): 162 Route 17K, Newburgh, NY			
Brief Description of Proposed Action: The proposed project is to convert the existing warehouse building into a motor vehicle service station			
Name of Applicant or Sponsor: Greg Sierota		Telephone: E-Mail: Sero77@hotmail.com	
Address: 6 High Lonesome Terrace			
City/PO: Wallkill		State: NY	Zip Code: 12589
1. Does the proposed action only involve the legislative adoption of a plan, local law, ordinance, administrative rule, or regulation? If Yes, attach a narrative description of the intent of the proposed action and the environmental resources that may be affected in the municipality and proceed to Part 2. If no, continue to question 2.		NO <input checked="" type="checkbox"/>	YES <input type="checkbox"/>
2. Does the proposed action require a permit, approval or funding from any other governmental Agency? If Yes, list agency(s) name and permit or approval:		NO <input checked="" type="checkbox"/>	YES <input type="checkbox"/>
3.a. Total acreage of the site of the proposed action?		1.18 acres	
b. Total acreage to be physically disturbed?		+/- 0.5 acres	
c. Total acreage (project site and any contiguous properties) owned or controlled by the applicant or project sponsor?		1.18 acres	
4. Check all land uses that occur on, adjoining and near the proposed action.			
<input type="checkbox"/> Urban <input type="checkbox"/> Rural (non-agriculture) <input type="checkbox"/> Industrial <input checked="" type="checkbox"/> Commercial <input type="checkbox"/> Residential (suburban)			
<input type="checkbox"/> Forest <input type="checkbox"/> Agriculture <input type="checkbox"/> Aquatic <input type="checkbox"/> Other (specify): _____			
<input type="checkbox"/> Parkland			

	NO	YES	N/A
5. Is the proposed action, a. A permitted use under the zoning regulations?	<input type="checkbox"/>	<input checked="" type="checkbox"/>	<input type="checkbox"/>
b. Consistent with the adopted comprehensive plan?	<input type="checkbox"/>	<input checked="" type="checkbox"/>	<input type="checkbox"/>
6. Is the proposed action consistent with the predominant character of the existing built or natural landscape?	<input type="checkbox"/>	<input checked="" type="checkbox"/>	<input type="checkbox"/>
7. Is the site of the proposed action located in, or does it adjoin, a state listed Critical Environmental Area? If Yes, identify: _____	<input checked="" type="checkbox"/>	<input type="checkbox"/>	<input type="checkbox"/>
8. a. Will the proposed action result in a substantial increase in traffic above present levels?	<input checked="" type="checkbox"/>	<input type="checkbox"/>	<input type="checkbox"/>
b. Are public transportation service(s) available at or near the site of the proposed action?	<input checked="" type="checkbox"/>	<input type="checkbox"/>	<input type="checkbox"/>
c. Are any pedestrian accommodations or bicycle routes available on or near site of the proposed action?	<input checked="" type="checkbox"/>	<input type="checkbox"/>	<input type="checkbox"/>
9. Does the proposed action meet or exceed the state energy code requirements? If the proposed action will exceed requirements, describe design features and technologies: Existing building _____	<input checked="" type="checkbox"/>	<input type="checkbox"/>	<input type="checkbox"/>
10. Will the proposed action connect to an existing public/private water supply? If No, describe method for providing potable water: _____	<input type="checkbox"/>	<input checked="" type="checkbox"/>	<input type="checkbox"/>
11. Will the proposed action connect to existing wastewater utilities? If No, describe method for providing wastewater treatment: _____	<input type="checkbox"/>	<input checked="" type="checkbox"/>	<input type="checkbox"/>
12. a. Does the site contain a structure that is listed on either the State or National Register of Historic Places?	<input checked="" type="checkbox"/>	<input type="checkbox"/>	<input type="checkbox"/>
b. Is the proposed action located in an archeological sensitive area?	<input checked="" type="checkbox"/>	<input type="checkbox"/>	<input type="checkbox"/>
13. a. Does any portion of the site of the proposed action, or lands adjoining the proposed action, contain wetlands or other waterbodies regulated by a federal, state or local agency?	<input type="checkbox"/>	<input checked="" type="checkbox"/>	<input type="checkbox"/>
b. Would the proposed action physically alter, or encroach into, any existing wetland or waterbody? If Yes, identify the wetland or waterbody and extent of alterations in square feet or acres: _____	<input checked="" type="checkbox"/>	<input type="checkbox"/>	<input type="checkbox"/>
14. Identify the typical habitat types that occur on, or are likely to be found on the project site. Check all that apply: <input type="checkbox"/> Shoreline <input type="checkbox"/> Forest <input type="checkbox"/> Agricultural/grasslands <input type="checkbox"/> Early mid-successional <input type="checkbox"/> Wetland <input checked="" type="checkbox"/> Urban <input checked="" type="checkbox"/> Suburban			
15. Does the site of the proposed action contain any species of animal, or associated habitats, listed by the State or Federal government as threatened or endangered?	<input type="checkbox"/>	<input checked="" type="checkbox"/>	<input type="checkbox"/>
16. Is the project site located in the 100 year flood plain?	<input checked="" type="checkbox"/>	<input type="checkbox"/>	<input type="checkbox"/>
17. Will the proposed action create storm water discharge, either from point or non-point sources? If Yes, a. Will storm water discharges flow to adjacent properties? <input type="checkbox"/> NO <input type="checkbox"/> YES	<input checked="" type="checkbox"/>	<input type="checkbox"/>	<input type="checkbox"/>
b. Will storm water discharges be directed to established conveyance systems (runoff and storm drains)? If Yes, briefly describe: _____	<input type="checkbox"/>	<input type="checkbox"/>	<input type="checkbox"/>

<p>18. Does the proposed action include construction or other activities that result in the impoundment of water or other liquids (e.g. retention pond, waste lagoon, dam)?          If Yes, explain purpose and size: _____          _____          _____</p>	<p>NO</p> <p><input checked="" type="checkbox"/></p>	<p>YES</p> <p><input type="checkbox"/></p>
<p>19. Has the site of the proposed action or an adjoining property been the location of an active or closed solid waste management facility?          If Yes, describe: _____          _____          _____</p>	<p>NO</p> <p><input checked="" type="checkbox"/></p>	<p>YES</p> <p><input type="checkbox"/></p>
<p>20. Has the site of the proposed action or an adjoining property been the subject of remediation (ongoing or completed) for hazardous waste?          If Yes, describe: _____          _____          _____</p>	<p>NO</p> <p><input checked="" type="checkbox"/></p>	<p>YES</p> <p><input type="checkbox"/></p>
<p><b>I AFFIRM THAT THE INFORMATION PROVIDED ABOVE IS TRUE AND ACCURATE TO THE BEST OF MY KNOWLEDGE</b>          Preparer (Engineer): _____          Applicant/sponsor name: <u>Ross Winglovitz, P.E.</u> Date: <u>08/18/15</u>          Signature: </p>		



Part 1 / Question 7 [Critical Environmental Area]	No
Part 1 / Question 12a [National Register of Historic Places]	No
Part 1 / Question 12b [Archeological Sites]	No
Part 1 / Question 13a [Wetlands or Other Regulated Waterbodies]	Yes - Digital mapping information on local and federal wetlands and waterbodies is known to be incomplete. Refer to EAF Workbook.
Part 1 / Question 15 [Threatened or Endangered Animal]	Yes
Part 1 / Question 16 [100 Year Flood Plain]	No
Part 1 / Question 20 [Remediation Site]	No



# BULK REQUIREMENTS

TOWN OF NEWBURGH - ZONING DISTRICT INTERCHANGE BUSINESS (IB)  
USE: MOTOR VEHICLE SERVICE STATION

MINIMUM BUILDING REQUIREMENTS	REQUIRED	PROPOSED
LOT AREA	40,000 SF	> 60,000 SF
LOT WIDTH	150 FEET	190 FEET
LOT DEPTH	150 FEET	260.4 FEET
FRONT YARD	50 FEET	51.7 FEET
FRONT YARD (STATE HIGHWAY)	60 FEET	166.0 FEET
REAR YARD	60 FEET	NA
SIDE YARD (ONE/BOTH)	30/60 FEET	43.3/NA FEET

MAXIMUM ALLOWABLE		
MAXIMUM BUILDING HEIGHT	40 FT	< 40 FT
LOT BUILDING COVERAGE	20 %	< 20 %
MAXIMUM BUILDING HEIGHT	80 %	< 80 %

# GENERAL NOTES

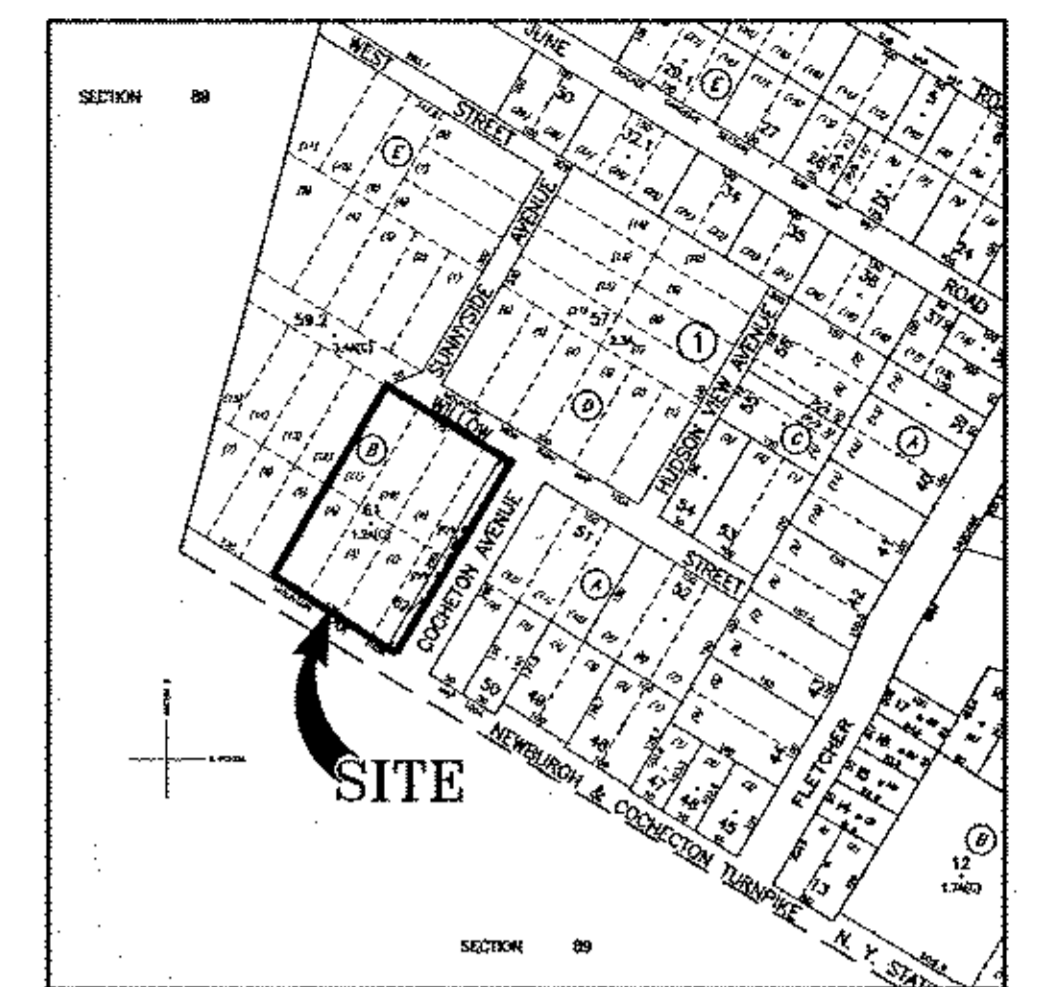
- TAX MAP IDENTIFICATION NUMBER: 94-1-81
- BOUNDARY AND TOPOGRAPHICAL INFORMATION BASED UPON FIELD SURVEY AS PERFORMED BY ENGINEERING & SURVEYING PROPERTIES, PC ON SEPTEMBER XX, 2015.
- OWNER: DRURY DEVELOPMENT, LLC  
19 LINDY DRIVE  
CARMEL, NY 10512
- APPLICANT: GREG SIEROTA  
6 HIGH LONESOME TERRACE  
WALLKILL, NY 12589
- VEHICLES, LIFTS OR PITS, DISMANTLED VEHICLES, ALL PARTS AND SUPPLIES, INCLUDING TIRES AND OTHER ACCESSORIES FOR SALE AND DEBRIS FROM DISMANTLED VEHICLES, SHALL BE LOCATED WITHIN A BUILDING ENCLOSED ON ALL SIDES.
- ALL SERVICE REPAIR ACTIVITIES, OTHER THAN AN EMERGENCY REPAIR OR SUCH MINOR SERVICING AS THE CHANGE OF TIRES OR SALE OF GASOLINE OR OIL, SHALL BE CONDUCTED IN A BUILDING ENCLOSED ON ALL SIDES. THIS REQUIREMENT SHALL NOT BE CONSTRUED TO MEAN THAT THE DOORS TO ANY REPAIR SHOP MUST BE KEPT CLOSED AT ALL TIMES.
- NO MOTOR VEHICLE, WHETHER OR NOT IN CONDITION FOR LEGAL USE ON THE PUBLIC HIGHWAY, SHALL BE PARKED OR STORED OUTDOORS EXCEPT IN ACCORDANCE WITH THE FOLLOWING:
  - FOR SERVICE OR REPAIR.
  - NO MORE THAN THREE MOTOR VEHICLES LICENSED FOR LEGAL OPERATION ON THE PUBLIC HIGHWAYS MAY BE STORED ON A TEMPORARY BASIS FOR SERVICE OR REPAIR ONLY.
  - ANY SUCH MOTOR VEHICLES BEING STORED SHALL BE PARKED IN A LINE AND IN AN ORDERLY FASHION WITH NOT LESS THAN FOUR FEET BETWEEN ANY PARTS OF ANY TWO VEHICLES.

# PARKING REQUIREMENTS

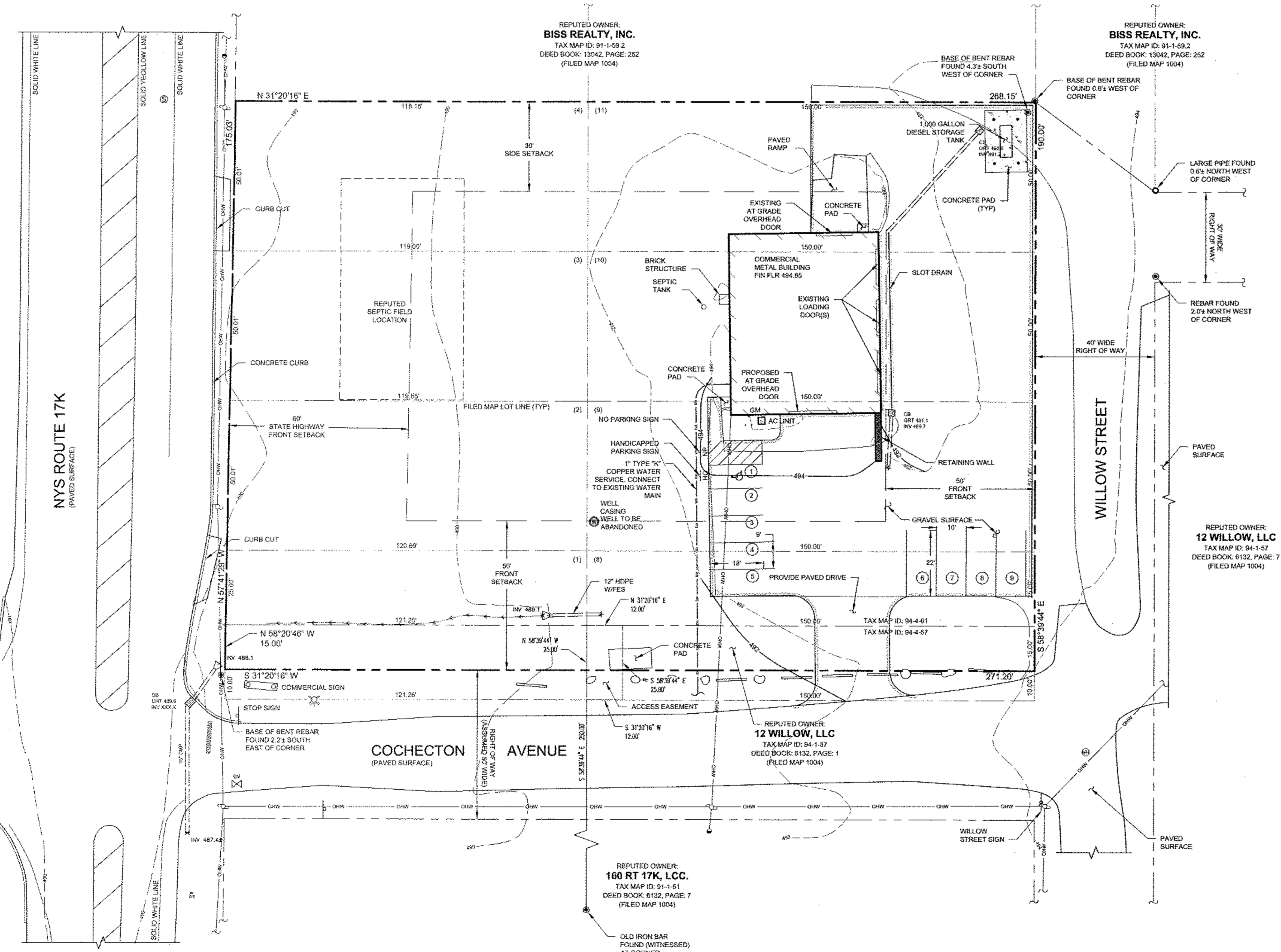
PROPOSED USE & PARKING SPACES REQUIRED:  
PARKING GARAGE OR REPAIR GARAGE:  
SUFFICIENT PARKING FOR ALL VEHICLES STORED OR BEING SERVICED AT ANY 1 PERIOD OF TIME PLUS A MINIMUM OF 5 ADDITIONAL SPACES

TOTAL PARKING SPACES REQUIRED:  
4 BAYS FOR SERVICE + 5 ADDITIONAL SPACES = 9 SPACES

PROPOSED PARKING SPACES PROVIDED:  
18' X 8' PARKING SPACES: 5 SPACES  
27' X 10' PARKING SPACES: 4 SPACES  
TOTAL PARKING PROVIDED: 9 SPACES



LOCATION MAP



No.	DATE	DESCRIPTION

DRAWING STATUS	ISSUE DATE:
THIS SHEET IS PART OF THE PLAN SET ISSUED FOR:	10/01/15
<input checked="" type="checkbox"/> CONCEPT APPROVAL	SHEET NUMBER
<input type="checkbox"/> PLANNING BOARD APPROVAL	N/A OF N/A
<input type="checkbox"/> OCDOH REALTY SUBDIVISION APPROVAL	N/A OF N/A
<input type="checkbox"/> OCDOH WATERMAIN EXTENSION APPROVAL	N/A OF N/A
<input type="checkbox"/> NYSDEC APPROVAL	N/A OF N/A
<input type="checkbox"/> NYS DOT APPROVAL	N/A OF N/A
<input type="checkbox"/> OTHER	N/A OF N/A
<input type="checkbox"/> FOR BID	N/A OF N/A
<input type="checkbox"/> FOR CONSTRUCTION	N/A OF N/A

COPIES OF THIS DOCUMENT WITHOUT AN ACTUAL OR FACSIMILE OF THE ENGINEER'S SIGNATURE AND AN ORIGINAL STAMP IN RED OR BLUE INK SHALL BE CONSIDERED INVALID.

UNAUTHORIZED ALTERATIONS OR ADDITIONS TO THIS DOCUMENT BEARING THE SEAL OF A LICENSED PROFESSIONAL ENGINEER IS A VIOLATION OF SECTION 7209 SUBSECTION 2 OF THE NEW YORK STATE EDUCATION LAW.

ROSS WINGLOVLITZ, P.E.  
NEW YORK LICENSE # 071701

**ENGINEERING & SURVEYING PROPERTIES**  
Achieving Successful Results with Innovative Designs

71 CLINTON STREET  
MONTGOMERY, NY 12549  
Ph: (845) 457-7777  
F: (845) 457-1899

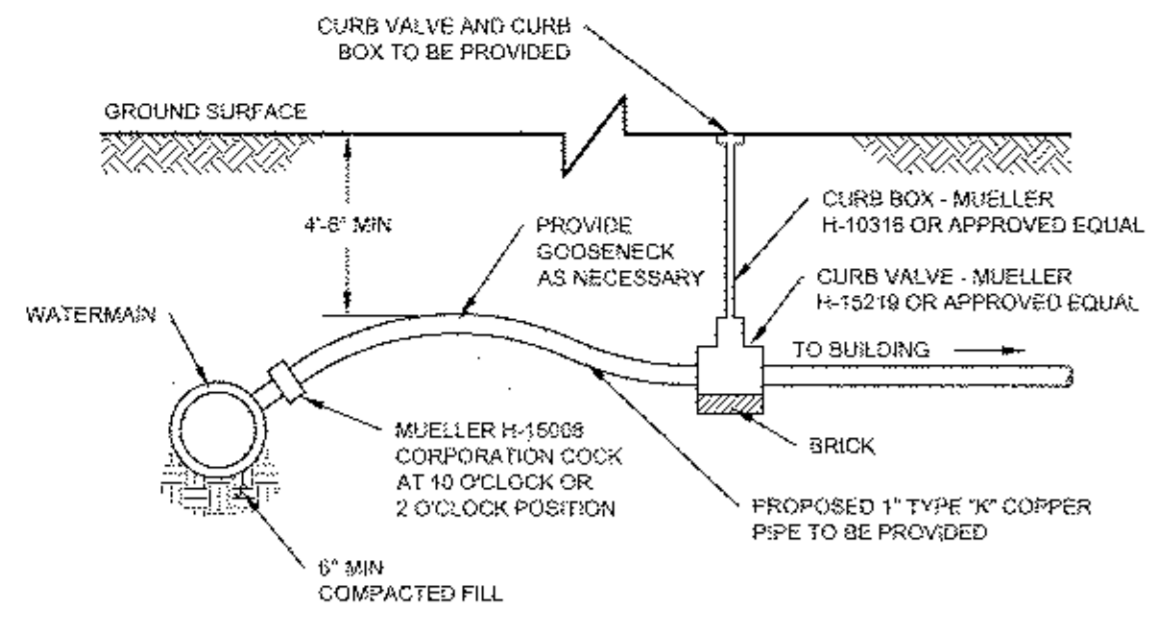
**SITE PLAN**

SIEROTA  
162 ROUTE 17K  
TOWN OF NEWBURGH  
ORANGE COUNTY, NEW YORK

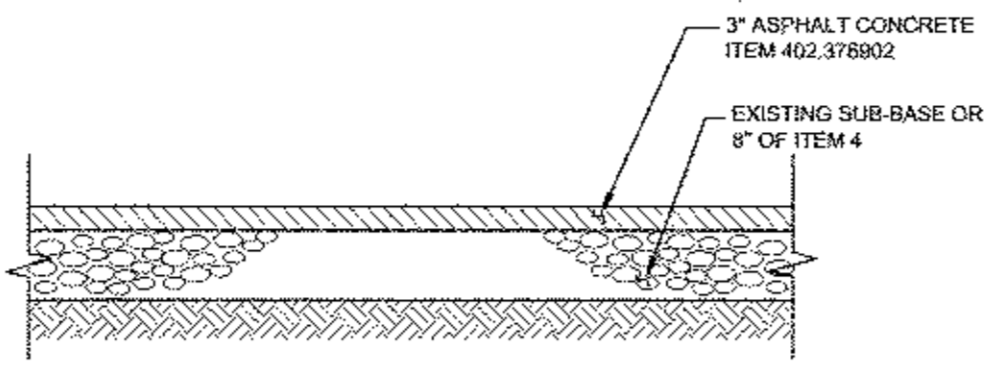
JOB #:	1126.01	DRAWN BY:	ML
DATE:	09/18/15	SCALE:	1" = 20'
REVISION:	0	TAX LOT:	94-1-61

C-1

© COPYRIGHT 2015 ENGINEERING & SURVEYING PROPERTIES, INC.



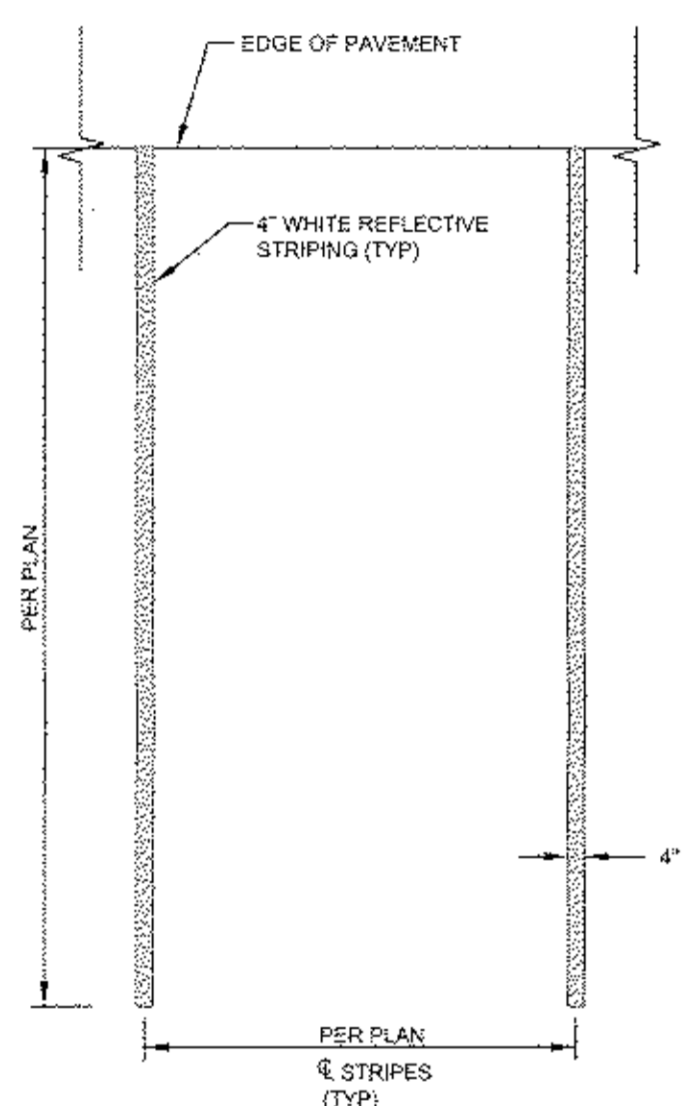
**WATER SERVICE CONNECTION**  
SCALE: NTS



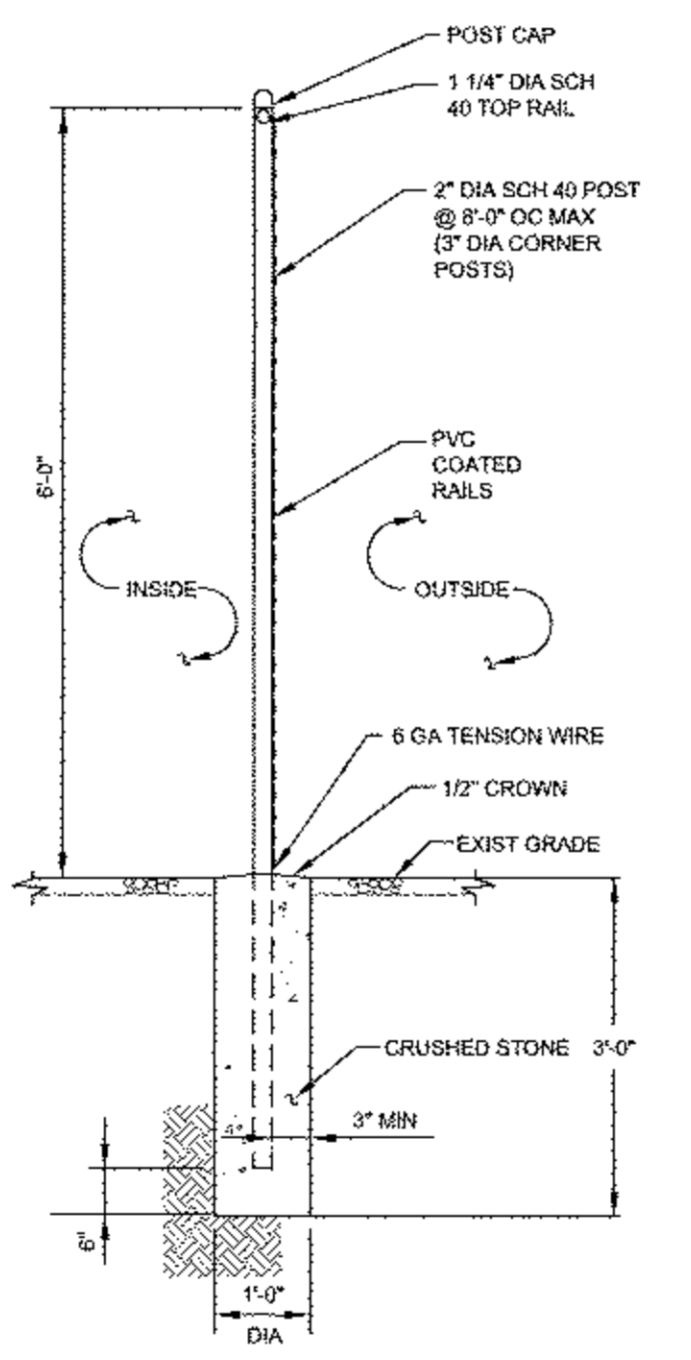
- NOTES:
- TO BE INSTALLED FOR ALL ON-SITE ROADWAYS AND PARKING AREAS.
  - ALL SUB-GRADE AND SUB-BASE SHALL BE PROOF ROLLED WITH TOWN ENGINEER PRESENT PRIOR TO THE PLACEMENT OF SUBSEQUENT LIFTS.
  - ITEM NUMBERS REFER TO NYS DOT SPECIFICATIONS

**ON-SITE PAVEMENT SECTION**  
SCALE: NTS

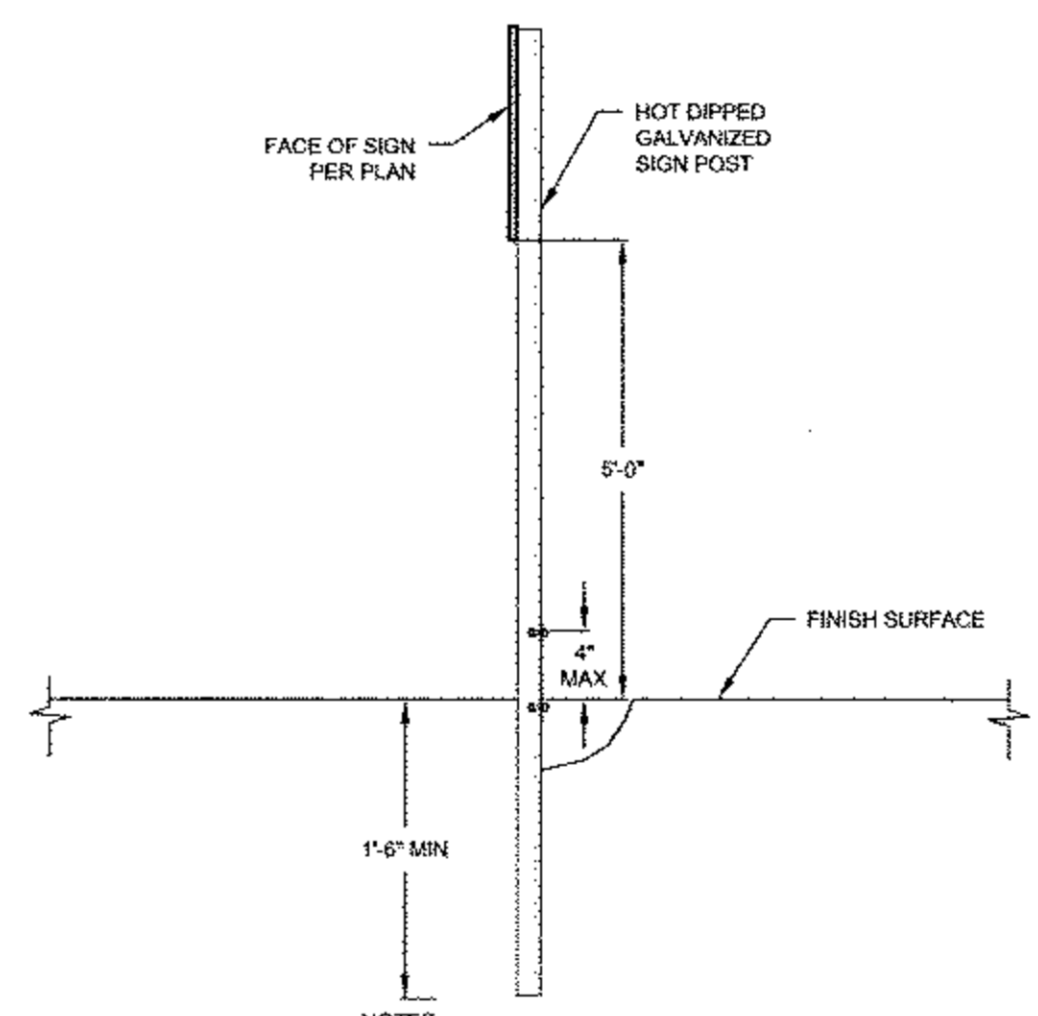
SIGN	TEXT	M.U.T.C.D. No.	SIZE OF SIGN	TYPE OF MOUNT	MOUNT HEIGHT	DESCRIPTION
NP		P1-1C	12" x 18"	GR MTD	5'-0"	WHITE BACKGROUND RED LETTERING
HC		M12-1	18" x 24"	GR MTD	5'-0"	BLUE BACKGROUND BLACK SYMBOL WHITE LETTERING



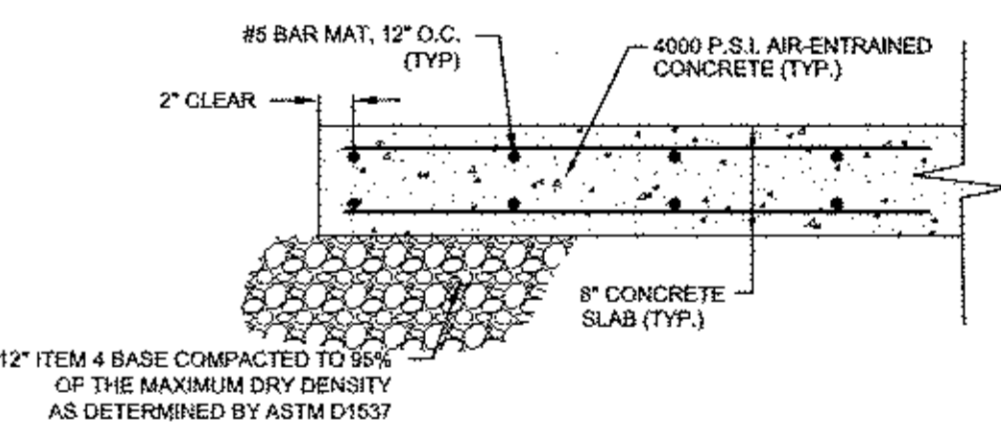
**PARKING SPACE**  
SCALE: NTS



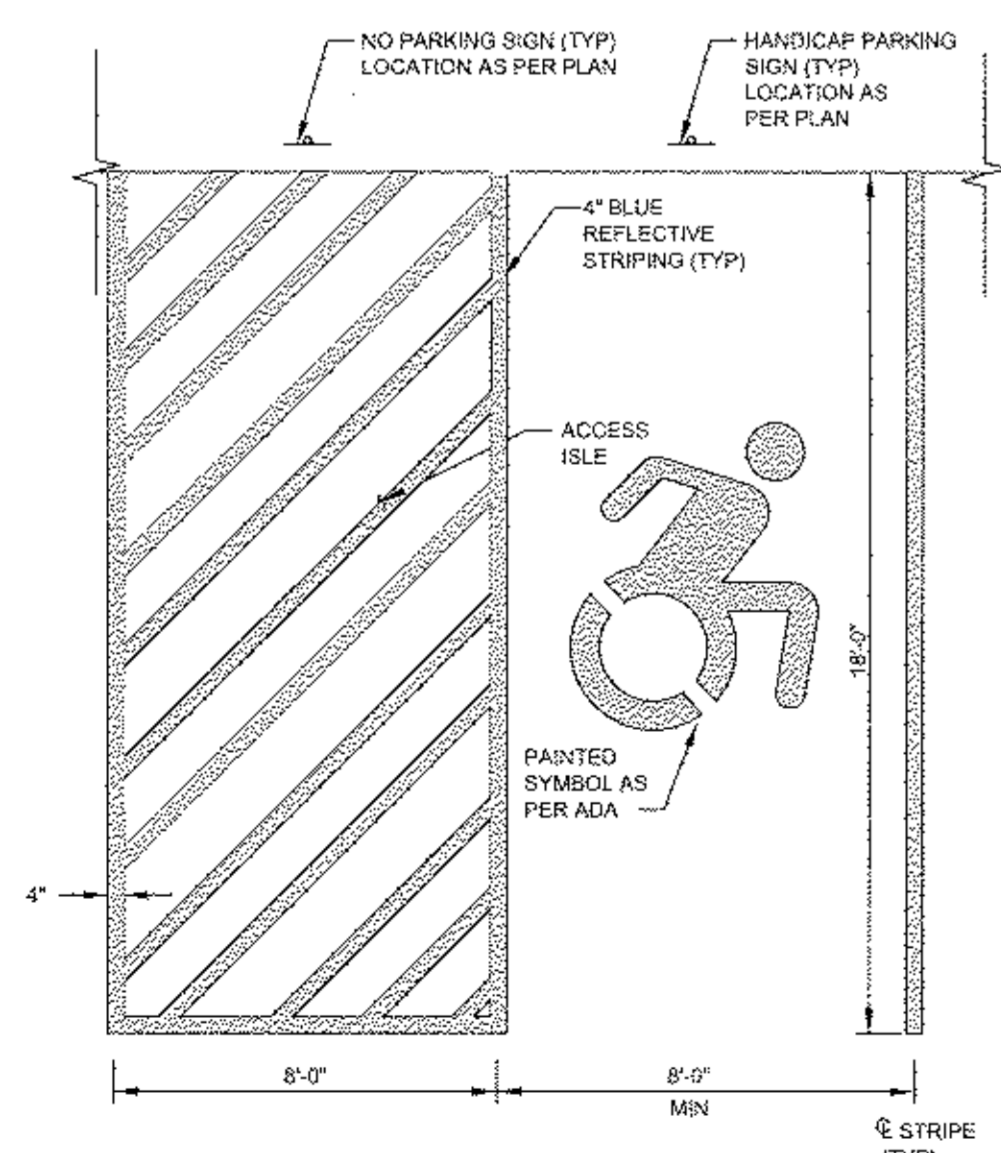
**CHAIN LINK FENCE DETAIL**  
SCALE: NTS



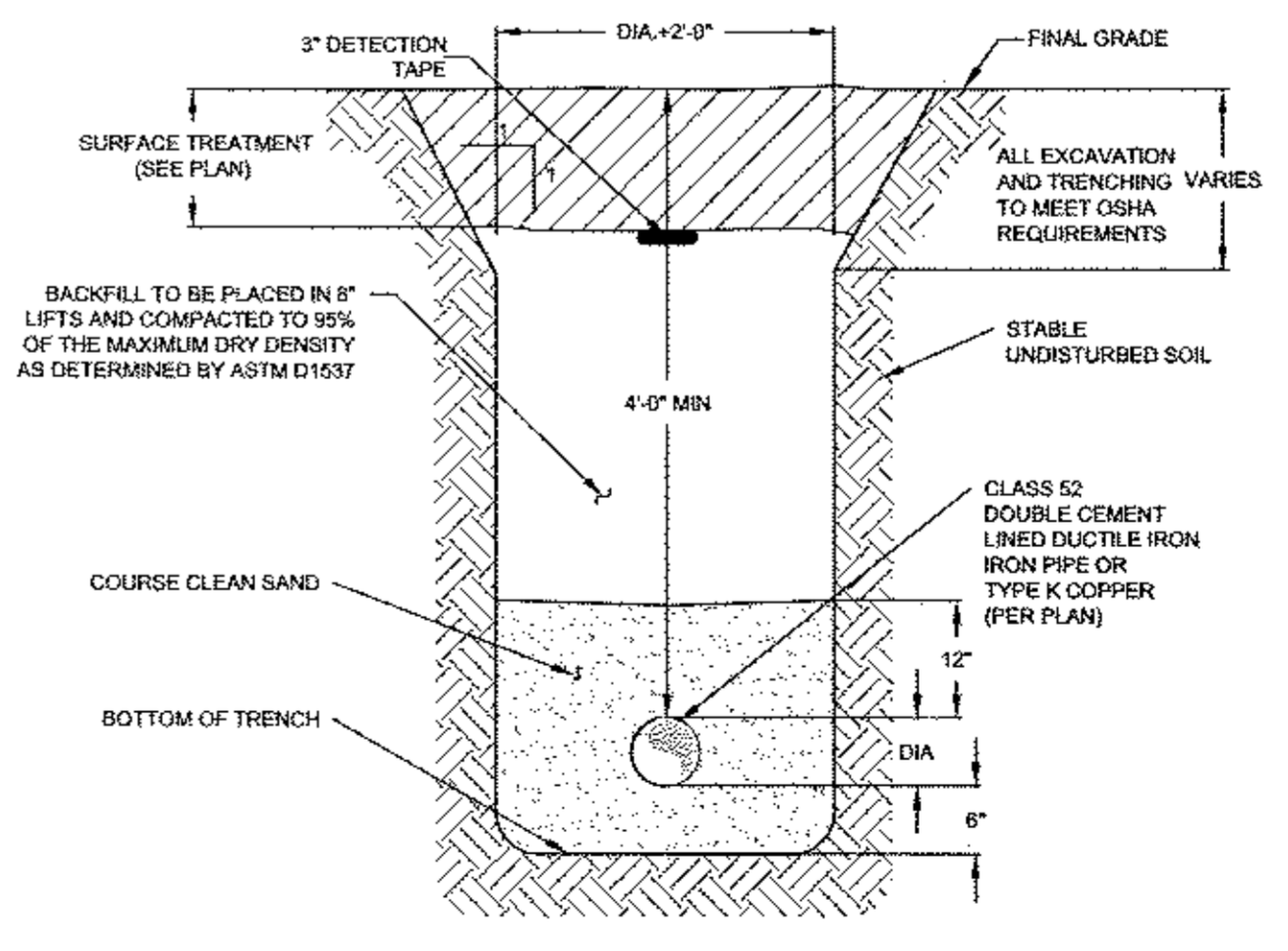
**SIGN POST**  
SCALE: NTS



**CONCRETE PAVEMENT**  
SCALE: NTS



**HANDICAP PARKING SPACES**  
SCALE: NTS



**WATER PIPE TRENCH**  
SCALE: NTS

No.	DATE	DESCRIPTION

DRAWING STATUS		ISSUE DATE:	
THIS SHEET IS PART OF THE PLAN SET ISSUED FOR		10/01/15	
		SHEET NUMBER	
<input checked="" type="checkbox"/>	CONCEPT APPROVAL	N/A	OF N/A
<input type="checkbox"/>	PLANNING BOARD APPROVAL	N/A	OF N/A
<input type="checkbox"/>	OCDOH REALTY SUBDIVISION APPROVAL	N/A	OF N/A
<input type="checkbox"/>	OCDOH WATERMAIN EXTENSION APPROVAL	N/A	OF N/A
<input type="checkbox"/>	NYSDEC APPROVAL	N/A	OF N/A
<input type="checkbox"/>	NYS DOT APPROVAL	N/A	OF N/A
<input type="checkbox"/>	OTHER	N/A	OF N/A
<input type="checkbox"/>	FOR BID	N/A	OF N/A
<input type="checkbox"/>	FOR CONSTRUCTION	N/A	OF N/A

THIS PLAN SET HAS BEEN ISSUED SPECIFICALLY FOR THE APPROVAL OR ACTION NOTED ABOVE AND SHALL NOT BE USED FOR ANY OTHER PURPOSE. THIS SHEET SHALL BE CONSIDERED INVALID UNLESS ACCOMPANIED BY ALL SHEETS OF THE DENOTED PLAN SET(S).

COPIES OF THIS DOCUMENT WITHOUT AN ACTUAL OR FACSIMILE OF THE ENGINEER'S SIGNATURE AND AN ORIGINAL STAMP IN RED OR BLUE INK SHALL BE CONSIDERED INVALID.

UNAUTHORIZED ALTERATIONS OR ADDITIONS TO THIS DOCUMENT BEARING THE SEAL OF A LICENSED PROFESSIONAL ENGINEER IS A VIOLATION OF SECTION 7209 SUBSECTION 2 OF THE NEW YORK STATE EDUCATION LAW.

**ROSS WINGLOVITZ, P.E.**  
NEW YORK LICENSE # 071701

0 1 2 3  
ORIGINAL SCALE IN INCHES

**ENGINEERING & SURVEYING PROPERTIES**  
Achieving Successful Results with Innovative Designs

71 CLINTON STREET  
MONTGOMERY, NY 12549  
Ph: (845) 457-7727  
Fax: (845) 457-1899

**DETAILS**

SIEROTA  
162 ROUTE 17K  
TOWN OF NEWBURGH  
ORANGE COUNTY, NEW YORK

JOB #:	1126.01	DRAWN BY:	ML
DATE:	09/18/15	SCALE:	1" = 20'
REVISION:	0	TAX LOT:	94-1-61

**C-2**

© COPYRIGHT 2015 ENGINEERING & SURVEYING PROPERTIES, PC